

Extension unit insert

Art. no.: 2962 10, 2945 10, 2945 11, 2945 2045, 2945 2089

Operating instructions

1 Safety instructions



Electrical devices may only be mounted and connected by electrically skilled persons.

Serious injuries, fire or property damage possible. Please read and follow manual fully.

Danger of electric shock. Always disconnect before carrying out work on the device or load.

These instructions are an integral part of the product, and must remain with the end customer.

2 Intended use

- Extension unit operation of a Universal rotary dimmer comfort , Art. no.: 2961 10, 2944 ..
- Mounting in appliance box according to DIN 49073
- Operation with suitable cover

3 Operation

- i** Settings at the dimmer, which are made during commissioning, are only possible at the main unit.

Switching light or adjusting brightness

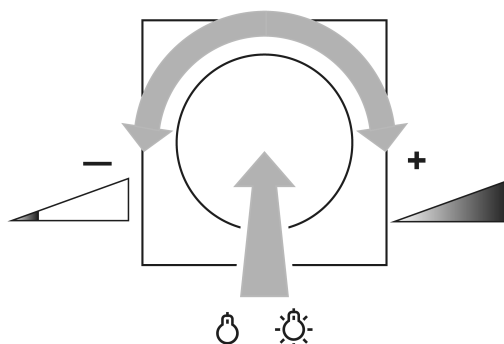


Figure 1: Switching light or adjusting brightness

- Press the setting knob briefly: Light switches on or off (Figure 1).
- Turn the setting knob quickly: Brightness is changed quickly (Figure 1).
- Turn the setting knob slowly: Brightness is changed slowly (Figure 1).

Switching the light on at minimum or maximum brightness

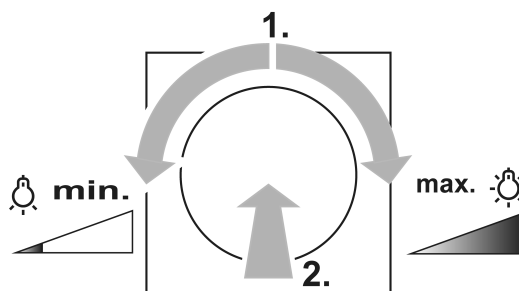


Figure 2: Switching on the light at minimum or maximum brightness

- Turn the setting knob by a quarter turn, then press the setting knob briefly: Light switches on at minimum brightness or maximum brightness (Figure 2).

Save switch-on brightness

- Adjust the brightness.
- Press the setting knob for longer than 4 seconds.
Switch-on brightness is saved. For confirmation the lighting switches off briefly and then on again to the saved switch-on brightness.

Delete switch-on brightness

- Press the setting knob briefly: Light switches on at switch-on brightness.
- Press the setting knob for longer than 4 seconds.
The switch-on brightness is deleted. For confirmation, the light is switched off briefly and switched on again. Switching on takes place at the last brightness value set.

4 Information for electrically skilled persons

4.1 Fitting and electrical connection



DANGER!

Mortal danger of electric shock.
Disconnect the device. Cover up live parts.

Fitting and electrical connection

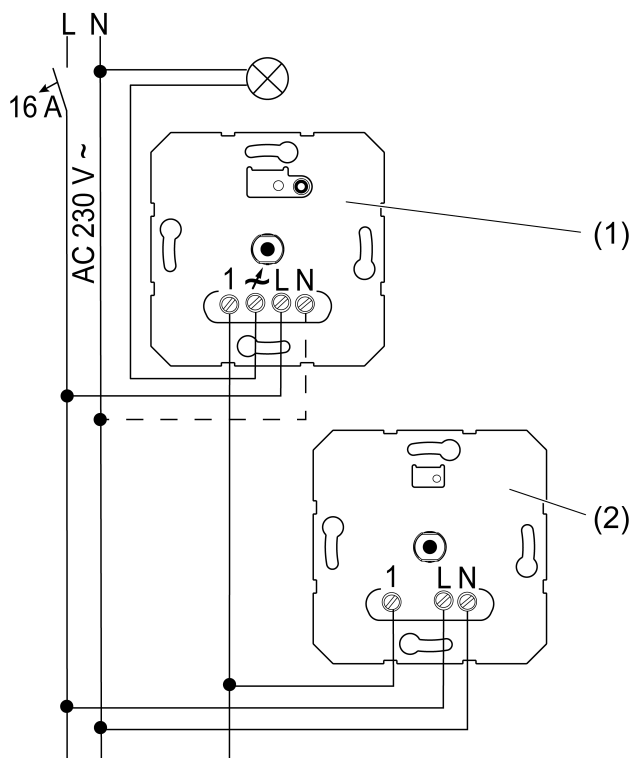


Figure 3: Connection example with rotary dimmer

- (1) Rotary dimmer
- (2) Rotary dimmer extension

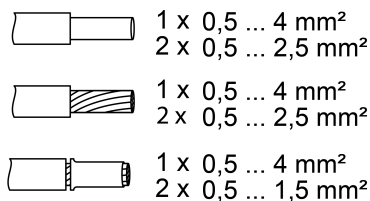


Figure 4: Clampable conductor cross-section

i Always connect the extension unit only to one main unit.

5 Technical data

Rated voltage	AC 230 V~
Mains frequency	50 / 60 Hz
Standby power	approx. 0.3 W
Ambient temperature	-5 ... +45 °C
Total length of extension unit cable	max. 100 m

6 Warranty

We reserve the right to make technical and formal changes to the product in the interest of technical progress.

Our products are under guarantee within the scope of the statutory provisions.

If you have a warranty claim, please contact the point of sale or ship the device postage free with a description of the fault to the appropriate regional representative.

Berker GmbH & Co. KG
Klagebach 38
58579 Schalksmühle/Germany
Telefon + 49 (0) 23 55/905-0
Telefax + 49 (0) 23 55/905-3111
www.berker.com