

ELKO EP, s.r.o.
 Palackého 493
 769 01 Holešov, Vsetuly
 Czech Republic
 Tel.: +420 573 514 211
 e-mail: elko@elkoep.com
 www.elkoep.com

Made in Czech Republic

02-6/2021 Rev.: 0



ATS-2D, ATS-2DR, ATS-2WR

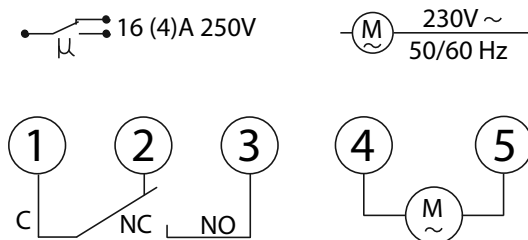
Analog time switch
with daily/weekly program



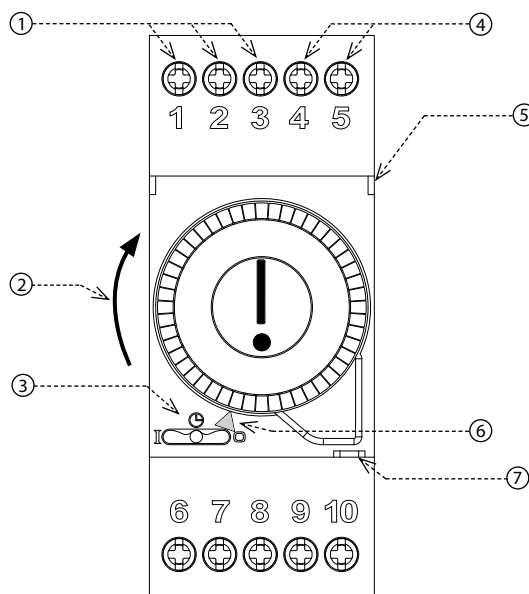
Characteristics

- The mechanical time switch is a simple and inexpensive alternative to digital time switches for controlling heating, ventilation, cooling, lighting systems or pumps depending on real time.
- Daily or weekly program
- Selection of operating modes using the switch on the panel:
 - ⌚ switches automatically according to the set program
 - ⏏ permanently closes
 - ⏏ permanently opens
- Power reserve after power off for up to 150 hours after fully charged.
- Sealable transparent front panel cover.

Connection



Description

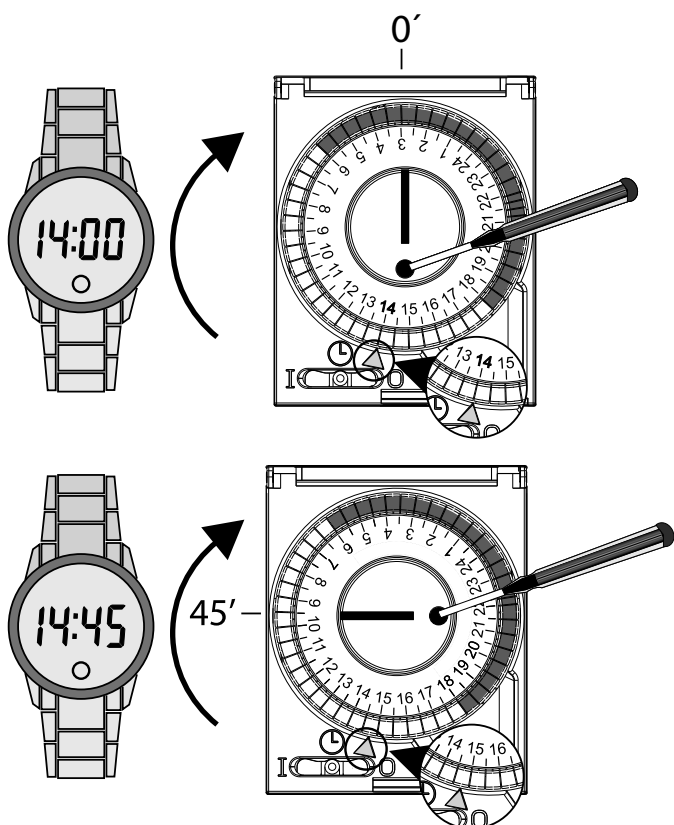


1. Output contact (1-2-3)
2. Direction of rotation of the programming dial
3. Operating mode switch
4. Supply voltage terminals (4-5)

5. Transparent opening cover
6. Time indicator
7. Sealing spot

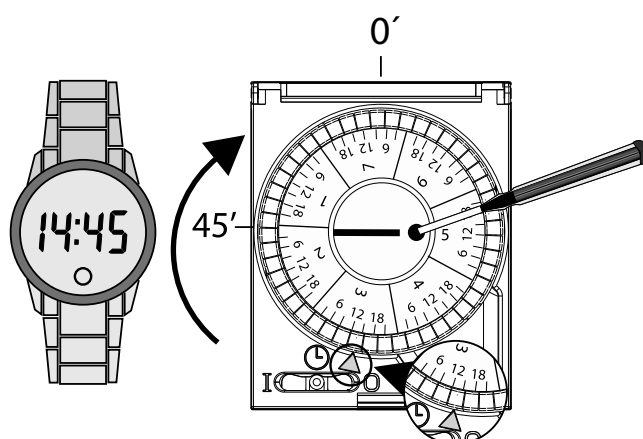
Time setting - daily program

Do not turn counter clockwise



Day / time setting - weekly program

Do not turn counter clockwise



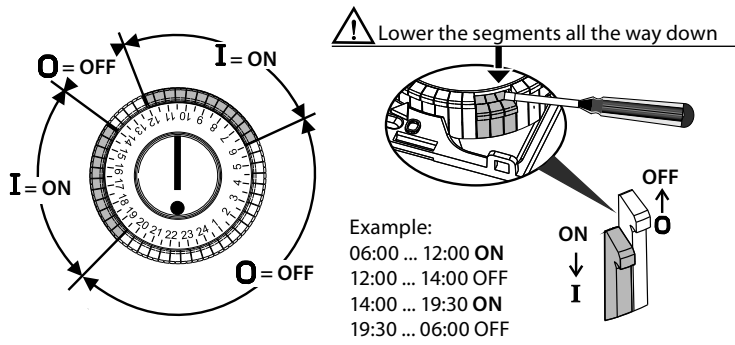
Example: 3 = Wednesday, 2:45 p.m.

Setting

Minimum switching interval:

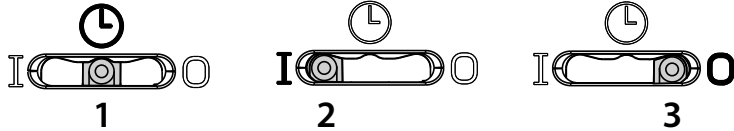
- daily 30 minutes (1 segment)
- weekly 210 minutes (1 segment)

High temperatures can affect the accuracy of the time switches



Operating mode

- 1 = switches automatically according to the set program
 2 = permanently closes
 3 = permanently opens



Power reserve (models only ATS-2DR, ATS-2WR)

The time switch starts working approx. 5 minutes after being connected to the power supply. After approximately 72 hours from the connection to the power supply, the power reserve, reaches it's complete charge of 150 hours.

Technical parameters

	ATS-2D	ATS-2DR	ATS-2WR
Supply			
Supply terminals:	4,5		
Supply voltage:	AC 230V (50/60 Hz)		
Power consumption (max.):	1W (1.5 VA)		
Supply voltage tolerance:	-10%, +10%		
Time circuit			
Program:	daily	daily	weekly
Number of switching segments:	48		
Minimum switching interval:	30 min	30 min	3.5 hour
Operating accuracy:	± 1s/day		
Power reserve:	x	max. 150h	
Output			
Number of contacts:	1x switching (AgNi)		
Rated current:	16A/AC1		
Breaking capacity:	3500 VA/AC1		
Switching voltage:	250 V AC		
Mechanical life:	1.000.000 operations		
Electrical life (AC1):	50.000 operations		
Other information			
Operating temperature:	-10 to +50°C (14 to 122°F)		
Storage temperature:	-10 to +50°C (14 to 122°F)		
Dielectric strength:	4kV (supply - output)		
Operating position:	any		
Mounting:	DIN rail EN 60715		
Protection degree:	IP20		
Overvoltage category:	III.		
Pollution degree:	2		
Max. cable size (mm ²):	max. 1x 4, max. 2x 1.5 / s dutinkou max. 1x 4, max. 2x 1.5 (AWG 12)		
Dimensions:	90 x 35 x 60 mm (3.5" x 1.4" x 2.4")		
Weight:	117 g (4.1 oz.)		
Standards:	EN 61812-1, EN 60669-1, EN 63044-1		

Warning

Device is constructed for connection in 1-phase main alternating current voltage and must be installed according to norms valid in the state of application. Connection according to the details in this direction. Installation, connection, setting and servicing should be installed by qualified electrician staff only, who has learnt these instruction and functions of the device. This device contains protection against overvoltage peaks and disturbances in supply. For correct function of the protection of this device there must be suitable protections of higher degree (A, B, C) installed in front of them. According to standards elimination of disturbances must be ensured. Before installation the main switch must be in position "OFF" and the device should be de-energized. Don't install the device to sources of excessive electro-magnetic interference. By correct installation ensure ideal air circulation so in case of permanent operation and higher ambient temperature the maximal operating temperature of the device is not exceeded. For installation and setting use screw-driver cca 2 mm. The device is fully-electronic - installation should be carried out according to this fact. Non-problematic function depends also on the way of transportation, storing and handling. In case of any signs of destruction, deformation, non-function or missing part, don't install and claim at your seller it is possible to dismount the device after its lifetime, recycle, or store in protective dump.