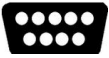


Industrial 802.11n 2.4G/5G 2T2R MIMO Wireless AP

JetWave 2212S



2 ports
RS232/422/485

- Radio configurable: 802.11 a/b/g/n 2.4G/5G Band
- 802.11n 2T2R MIMO doubles data rate up to 300Mbps
- IEEE 802.11i-compliant wireless security
- 2 ports RS232/422/485 3 in 1
- Dual Ethernet Port Bridging
- Remote management by Web GUI, SNMP
- Dual 24V(9-26V) DC Redundant (power brick isolation)
- -40 to 75°C operating temperature range
- Heavy Industrial Grade design
- DIN-Rail or wall mounting for onsite installation
- Integrated DO for on-site monitoring and warnings

Overview

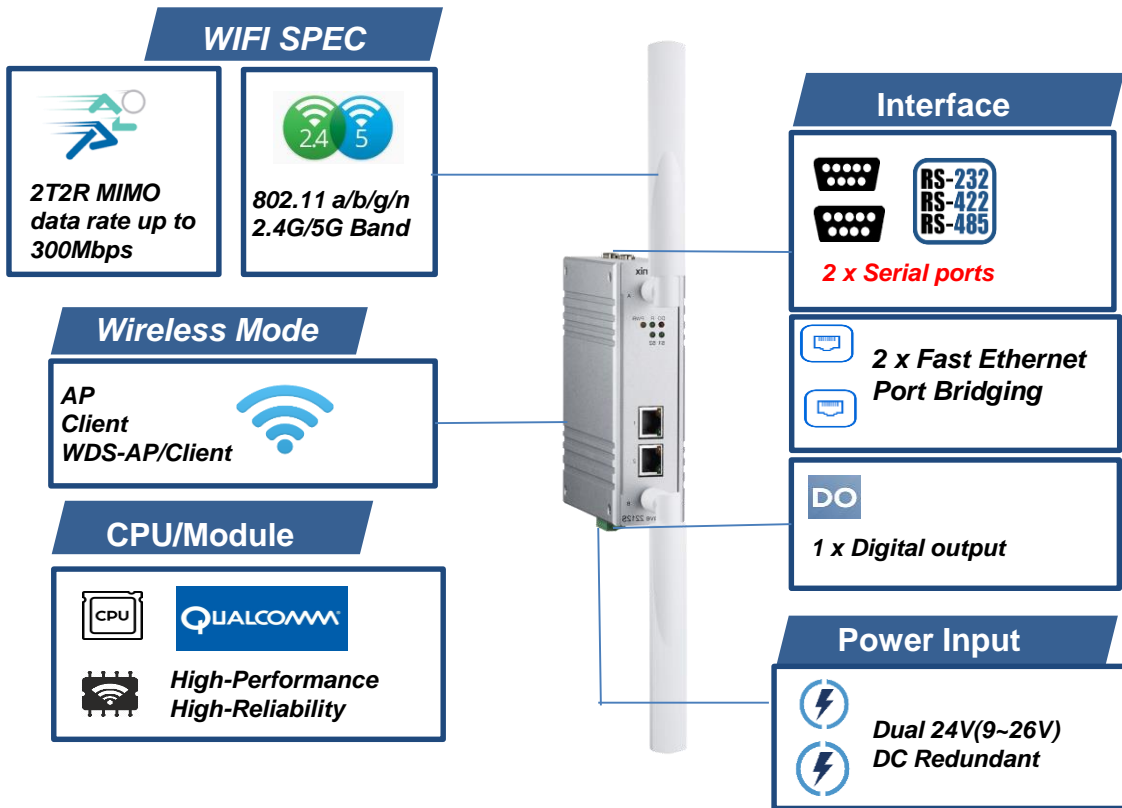
The JetWave 2212S is an industrial 802.11a/b/g/n Wireless AP which offers a high performance and reliability wireless solution.

JetWave 2212S establish wireless connections over both 2.4 GHz or 5 GHz bands. Whenever the 2.4 GHz airspace is overcrowded with competing wireless transmission, AirborneM2M products can be switched over to 5 GHz band to keep data flowing.

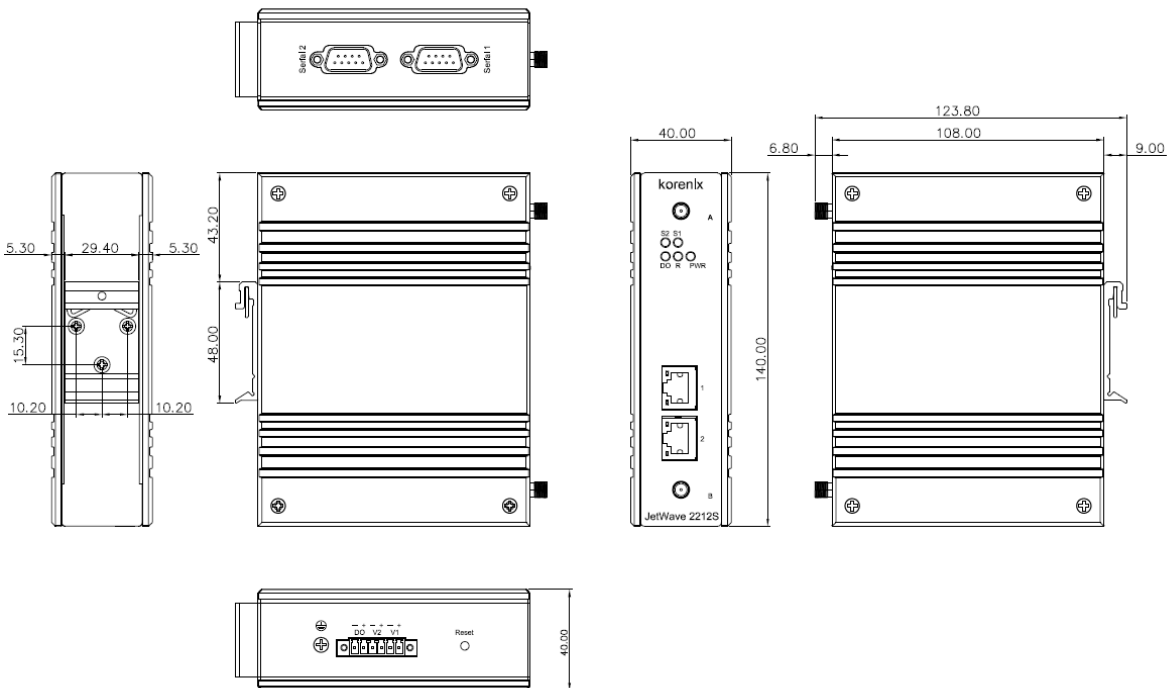
With the JetWave 2212S wireless access point, a network designer will easily achieve the integration of wired and wireless networks. With the new generation 802.11n MIMO technology, the radio offers a high data rate of up to 300Mbps, provide flexible wireless backbone deployment options. connect to the hard-to-wire serial devices and thus solve your network cabling problem in the field.

The serial interface on JetWave 2212S supports versatile serial application, such as TCP Server, TCP Client and UDP Listening. The serial data can be transmit through Wi-Fi interface, and it's easy to JetWave2212S also supports remote management, firewall. The industrial grade design supports dual 24V(9-26V)DC input, Digital Output, wide operating temperature and heavy industrial grade environment protection.

Appearance



Dimension



Specification

Technology	
Standard	IEEE 802.3 for 10BaseT IEEE 802.3u for 100 Base-T(X) IEEE 802.11x IEEE 802.11a/b/g/n Wireless LAN IEEE802.11i Wireless security IEEE802.1D for Spanning Tree Protocol IEEE802.1Q VLAN for Wireless
Interface	
Ethernet Port	2x 10/100 Base-T(X) RJ-45 Switching Store and Forward
Wifi	IEEE802.11a/b/g/n
Power Input	2x 24VDC (9-26VDC) input
Relay Output	1xRelay Output, 1A@24VDC
Serial interface	2*RS-232/422/485 DB9
Reset	Reset button, Reset to Default over 7 seconds
LED	PWR, Radio, DO, serial1, serial 2
SMA Antenna Socket	Dual Band Dipole SMA Antenna ,2.4GHz 2dBi ,5GHz 3dB
CPU	Qualcomm Atheros 550MHz
MIMO	2T2R
RF Modulation	OFDM(BPSK, QPSK, 16-QAM, 64QAM)
Attached Antenna	Dipole RP SMA 2.4G+5GHz wifi Antenna ,2.4GHz 2dBi ,5GHz 4dBi
Spread Spectrum and Modulation (typical)	<ul style="list-style-type: none"> • DSSS with DBPSK, DQPSK, CCK • OFDM with BPSK, QPSK, 16QAM, 64QAM • 802.11b: CCK @ 11/5.5 Mbps, DQPSK @ 2 Mbps, DBPSK @ 1 Mbps • 802.11a/g: 64QAM @ 54/48 Mbps, 16QAM @ 36/24 Mbps, QPSK @ 18/12 Mbps, BPSK @ 9/6 Mbps • 802.11n: 64QAM @ 300 Mbps to BPSK @ 6.5 Mbps (multiple rates supported)
Operating Frequency	US: 2.412 to 2.462 GHz (11 channels) 5.180 to 5.240 GHz (Band 1) 5.745 to 5.825 GHz (Band 4) EU: 2.412 to 2.472 GHz (13 channels) 5.180 to 5.240 GHz (Band 1) 5.260 to 5.320 GHz (Band 2) 5.500 to 5.720 GHz (Band 3)
RF Output Power (Max. of Avg.)	5.8GHz Band: 20dBm@ 802.11a/n HT20 (MCS0/8, 5180MHz) for FCC 22dB EIRP for ETSI 301 893 (Band 1) 2.4GHz Band: 21dBm at 802.11g/n HT40 (MCS0/8, 2422MHz) for FCC 20dB EIRP for CE (ETSI 300 328) (Controllable for different country regulations)
Sensitivity	802.11a: -93dBm@6Mbps,2Rx; -78dBm@54Mbps, 2Rx; 802.11n HT20: -94dBm@MCS0,2Rx; -75dBm@MCS7,2Rx 802.11n HT40: -90dBm@MCS0,2Rx; -73dBm@MCS7,2Rx 802.11b: -97dBm@1Mbps,2Rx; -93dBm@11Mbps, 2Rx; 802.11g: -95dBm@6Mbps,2Rx; -78dBm@54Mbps, 2Rx; 802.11n HT20: -94dBm@MCS0,2Rx; -75dBm@MCS7,2Rx 802.11n HT40: -91dBm@MCS0,2Rx; -73dBm@MCS7,2Rx

Management	
Management	Web GUI, Telnet, IP Setup, Management VLAN ID, Configuration Backup/Restore, Firmware Upgrade, Reload Default, Ping, DO Alarms, SMTP
WLAN	Multiple SSID, Radio on/off, SSID Broadcast, Frequency selection, VLAN ID, Advanced settings,
Status	System Information, Bridge Table, ARP Table, DHCP Client List
SNMP Trap	SNMP Trap to specific server
System Log	System events log
Utility/NMS	KorenixView Utility
Reliability	
Alert tool	Built-in RTC
Reboot trigger	Build-in Watchdog
Security	
Security	SSID broadcast enable/disable
Secured Access	HTTPS, SSH, IEEE 802.1X, Radius Server
Firewall	UDP/TCP, Firewall for MAC filtering
Security Encryption	WEP 64/128 bits, WPA-PSK(TKIP), WPA2-PSK/EAP (IEEE 802.1x/RADIUS, TKIP and AES)
Power Requirement	
Power	Dual DC24V (9-26VDC) input
Power Consumption	Standby Mode: 2W Full Load: Max. 5Watts *Suggest to reserve 15% tolerance power in practical installation.
Mechanical	
Enclosure	Aluminum housing
External Antenna	Reserve SMA Female connector
Mounting	Din-Rail
Dimension	145mm(H) x 40 mm(D) x 123.8mm(W)
Weight	850g with package
Environmental	
Operating Temperature	-40 - 75°C
Operating Humidity	5% ~ 95% (operating)
Storage Temperature	-40 - 85 °C
Approvals	
Radio	EN300 328 EN301 893 EN301 489-1
EMS	EN301 489-1/-17 EN55032/24 EN61000-6-2/-4 FCC Part 15B Class A E-Mark
Safety	EN60950-1
Warranty	5 years