

Filter Code: **17210 - FL210Z**

Description: **Fan Filter 230 Va.c.**



MECHANICAL SPECIFICATIONS

Dimensions: **150x150x71 mm**
Weight: **0,8 Kg**
Type of material: **ABS/PC UL94V-0**
Colour: **RAL 7032**
Protection degree: **IP54 (EN60529)**
Fastener: **by elastic hooks**
Plate thickness: **from 1,5 to 2,2 mm**
Storage temp.: **-45°C to +75°C**
Electric connection: **by terminal block 2,5mm²**
Earth connection: **by M4 screw**

OPERATING FEATURES

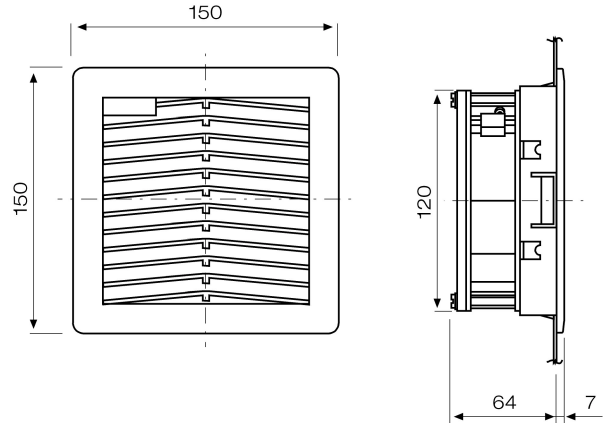
Rated voltage: **230 [V]**
Rated frequency: **50/60 [Hz]**
Rated power: **20/19 [W]**
Rated current: **125/110 [mA]**
Fan speed: **2650/3000 [rpm]**
Noise: **43.0/48.0 [dB(A)]**
Operating temp.: **- 10°C to +50°C**
Relative humidity: **90% max**
Life (L10) at 40°C: **45.000 hours**

PERFORMANCES and APPROVALS

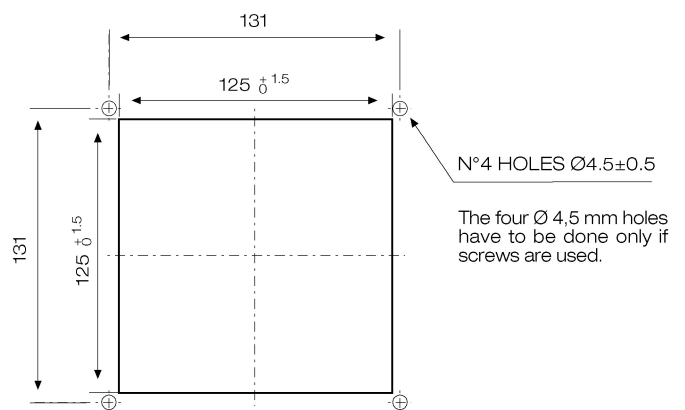
Max air flow: **57/61 [m³/h]**
Max static pressure: **66/73 [Pa]**
Type of media: **P15/350S**
Flammability: **F1 (DIN 53438)**
Filtering class: **EU3 (DIN 24185)**
Degree of separation: **85% (DIN 24185)**
Degree of efficacy: **< 20% (DIN 24185)**
Dust storage capacity: **600 g/m²**
Approvals:  

Note: the media is washable

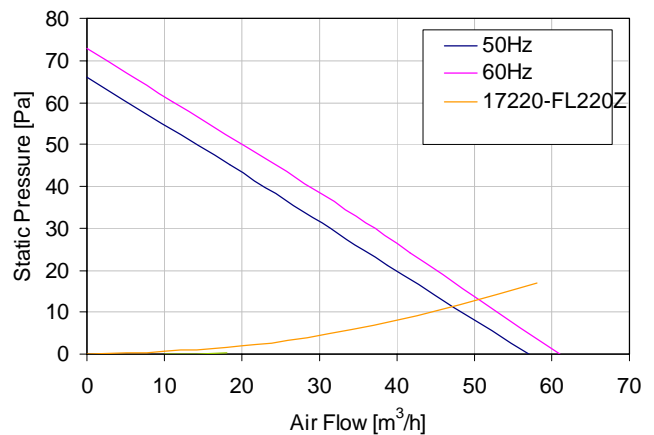
FAN FILTER DIMENSIONS [mm]



DIMENSIONS CUT-OUT [mm]



PERFORMANCE CURVES



Please refer to our terms of sales including our warranty and limited liabilities clauses.