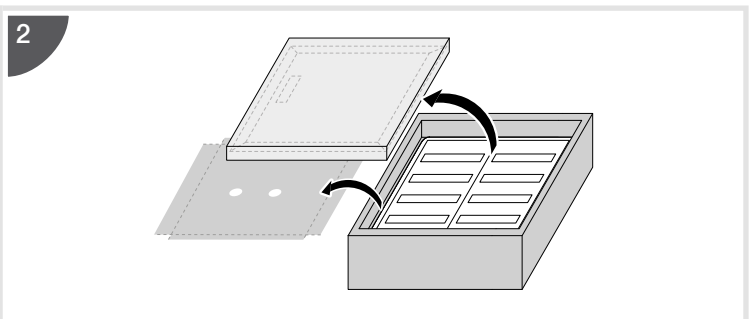
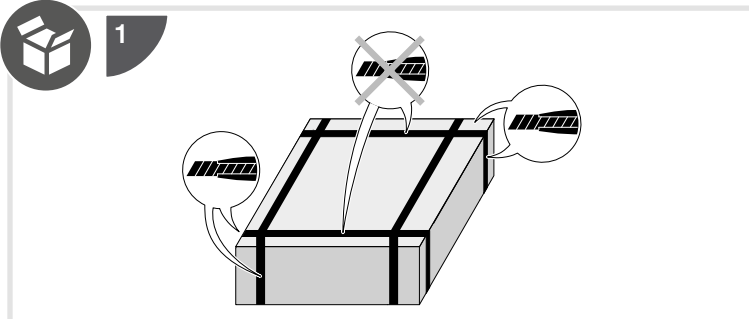


- (DE) Montageanleitung
- (FR) Notice d'instructions
- (EN) Mounting instructions
- (NL) Montage instructie
- (DA) Monteringsvejledning
- (FI) Asennusohje
- (NO) Montasjeanvisning
- (SV) Monterings instruktioner
- (IT) Istruzioni di montaggio
- (ES) Instrucciones de montaje
- (PT) Instruções de montagem
- (CS) Montážní návod
- (BS) Uputstvo za montažu
- (HR) Upute za montažu
- (HU) Szerelési útmutató
- (LT) Montavimo instrukcija
- (LV) Montāžas instrukcija
- (PL) Instrukcja montażowa
- (RO) Instrucțiuni de montare
- (SK) Návod na montáž
- (RU) [EAC] Указания по установке
- (BG) Инструкции за монтаж
- (EL) Οδηγίες χώνευσης
- (IS) Leiðbeiningar
- (AR) دليل الاستعمال
- (UK) Інструкції з установки

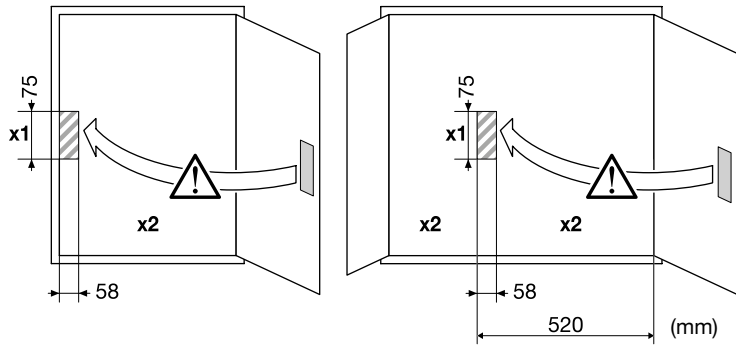
6LE005468B

FWU...

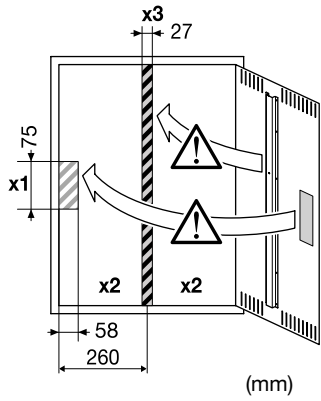


| | A (mm) | B (mm) | C (mm) | D (mm) |
|---------|--------|--------|--------|--------|
| FWU31.. | 310 | 502 | 353 | 553 |
| FWU32.. | 560 | 502 | 603 | 553 |
| FWU33.. | 810 | 502 | 853 | 553 |
| FWU41.. | 310 | 652 | 353 | 703 |
| FWU42.. | 560 | 652 | 603 | 703 |
| FWU43.. | 810 | 652 | 853 | 703 |
| FWU51.. | 310 | 802 | 353 | 853 |
| FWU52.. | 560 | 802 | 603 | 853 |
| FWU53.. | 810 | 802 | 853 | 853 |
| FWU61.. | 310 | 952 | 353 | 1003 |
| FWU62.. | 560 | 952 | 603 | 1003 |
| FWU63.. | 805 | 952 | 853 | 1003 |
| FWU71.. | 310 | 1102 | 353 | 1153 |
| FWU72.. | 560 | 1102 | 603 | 1153 |
| FWU73.. | 810 | 1102 | 853 | 1153 |
| FWU81.. | 310 | 1252 | 353 | 1303 |

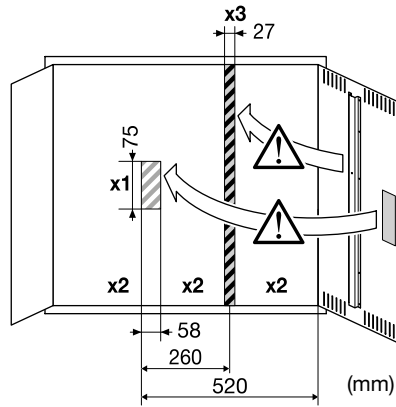
FWU31, 41, 51, 61, 71... FWU33, 43...



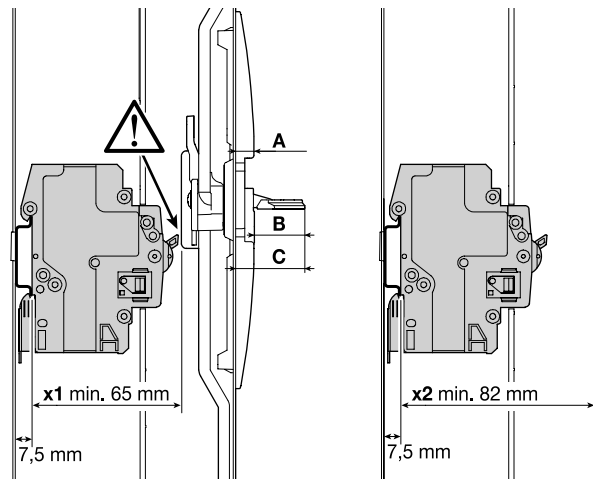
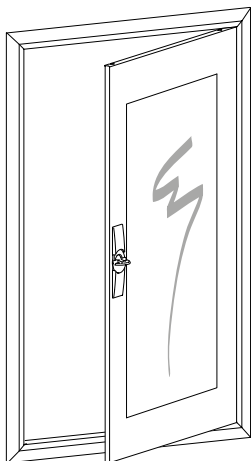
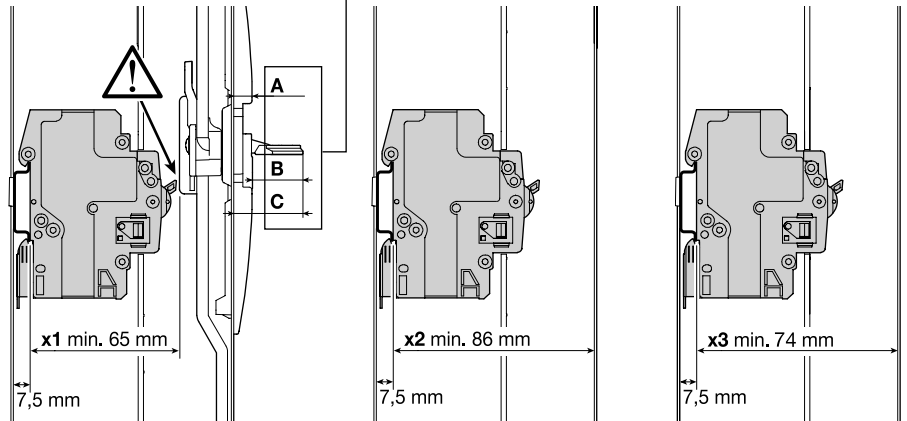
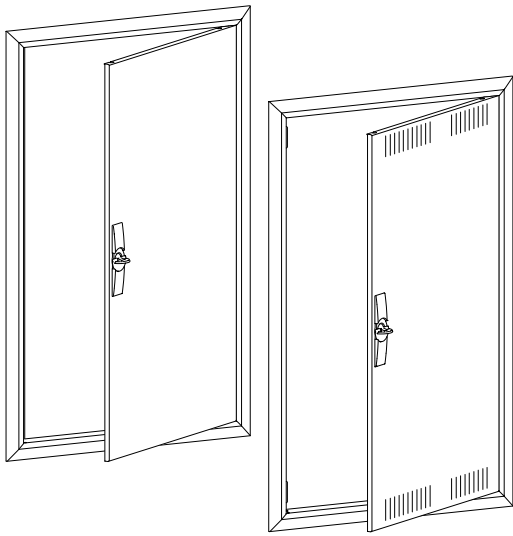
FWU52, 62, 72...



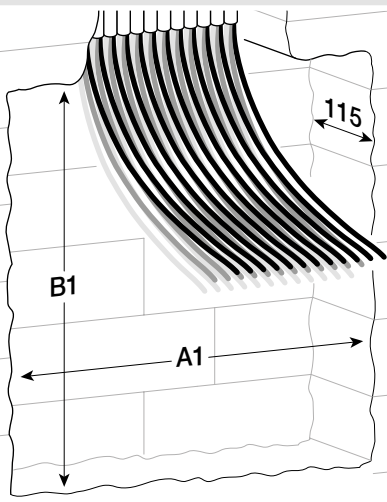
FWU53, 63, 73...



| | | A (mm) | B (mm) | C (mm) |
|--------|--|--------|--------|--------|
| FZ598N | | 8,5 | 23 | 31,5 |
| FZ598 | | 6 | 17 | 23 |



3

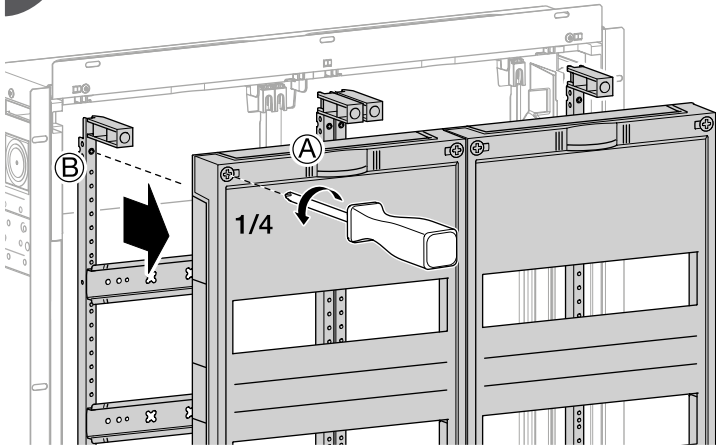


| | A (mm) | B (mm) |
|---------|--------|--------|
| FWU31.. | 310 | 502 |
| FWU32.. | 560 | 502 |
| FWU33.. | 810 | 502 |
| FWU41.. | 310 | 652 |
| FWU42.. | 560 | 65 |
| FWU43.. | 810 | |
| FWU51.. | | |
| FWU52 | | |

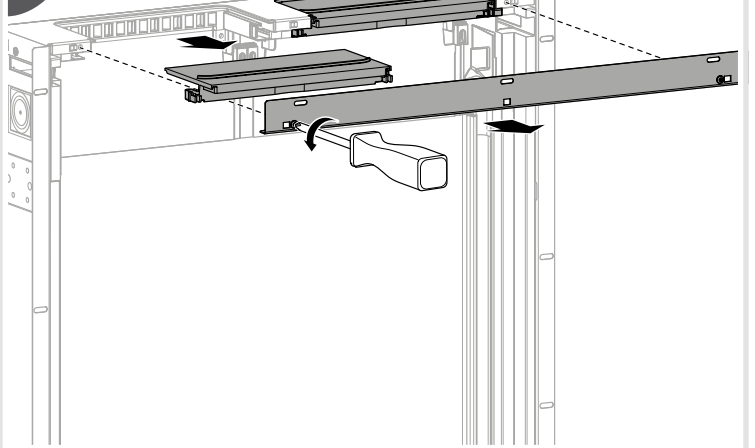


A1 = A + 5 mm
B1 = B + 5 mm

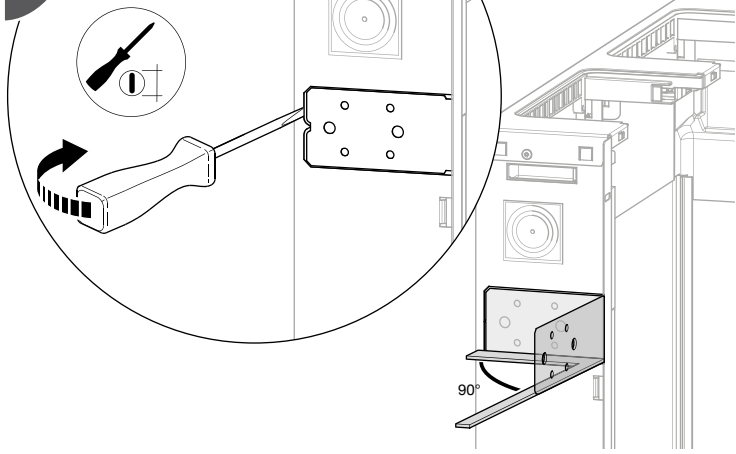
4



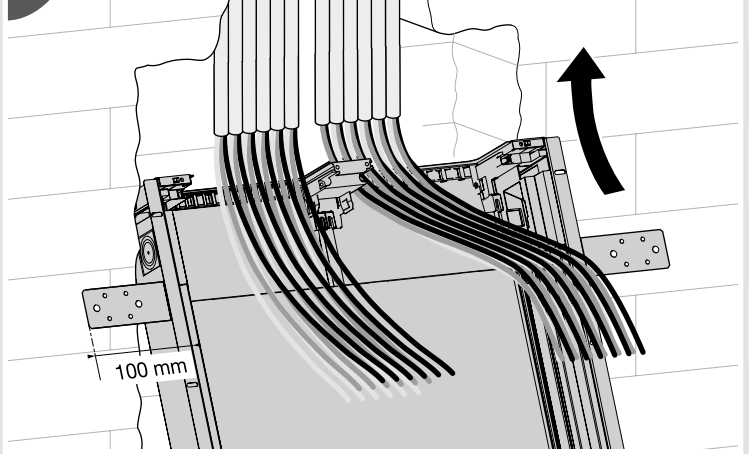
5



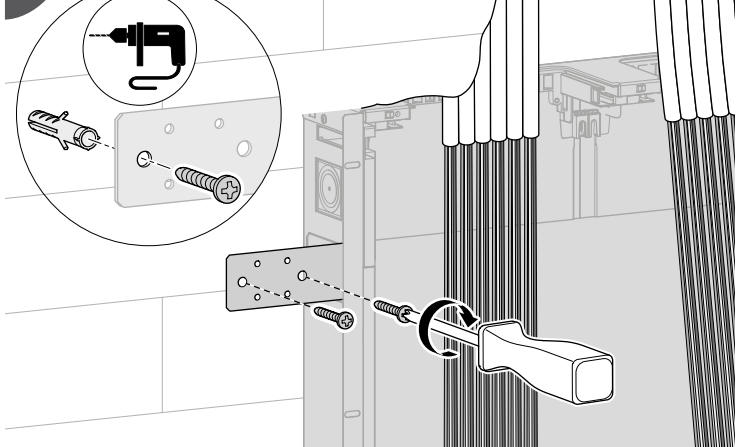
6



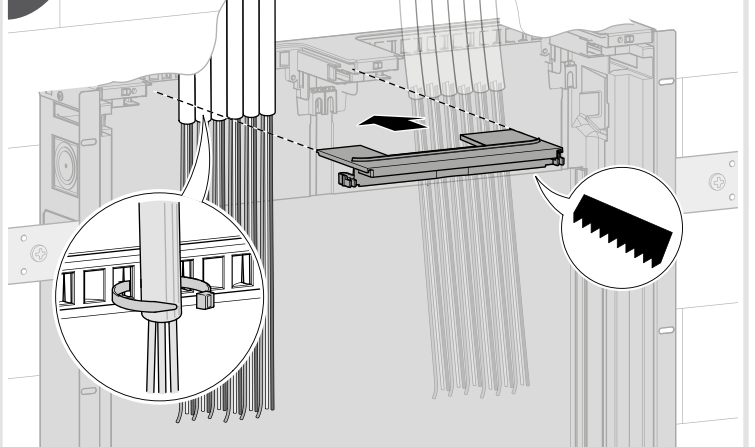
7

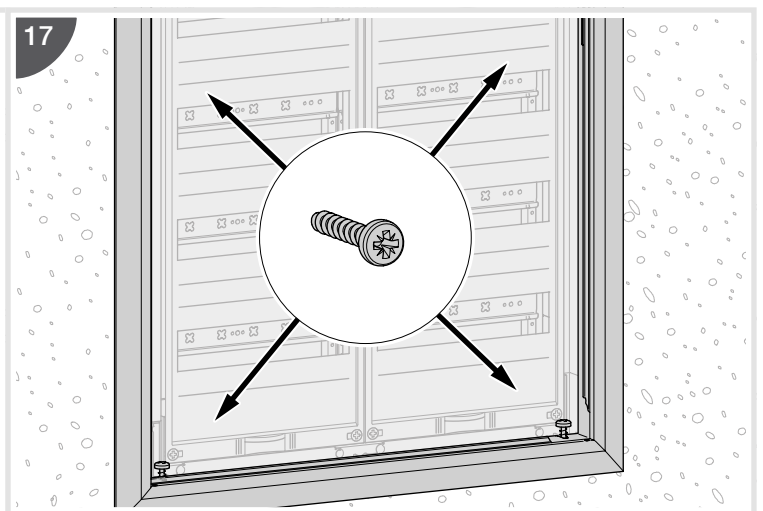
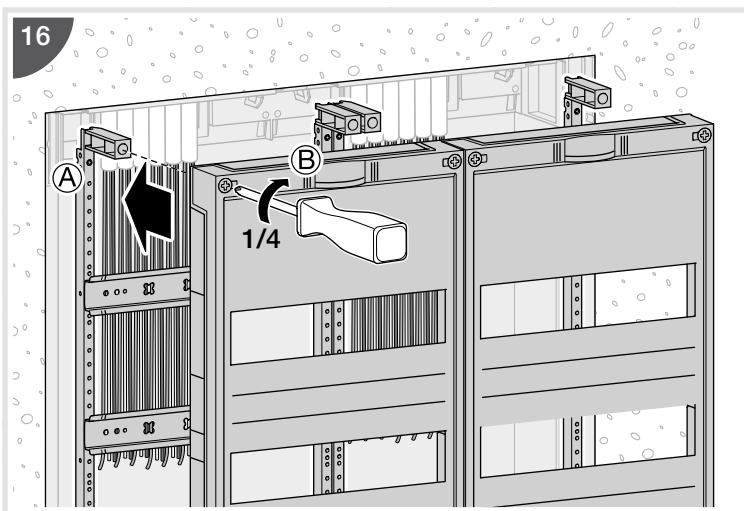
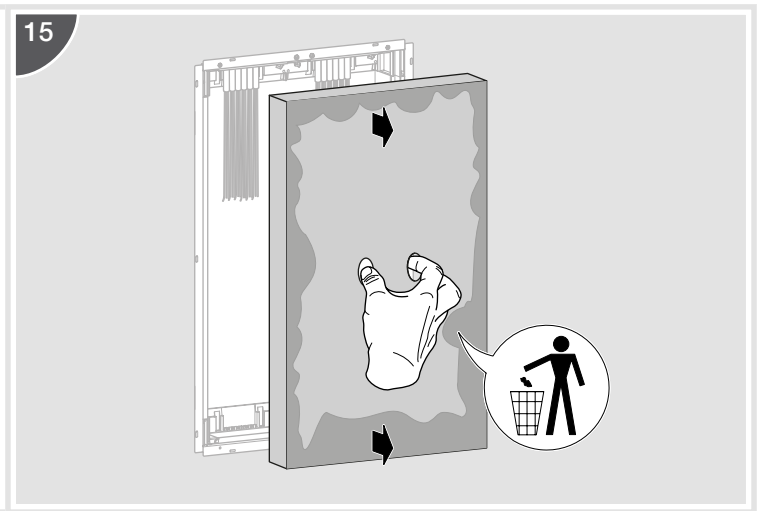
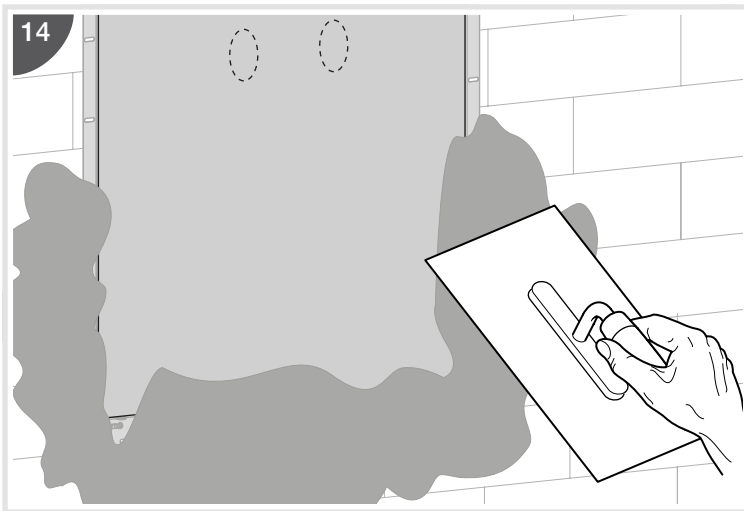
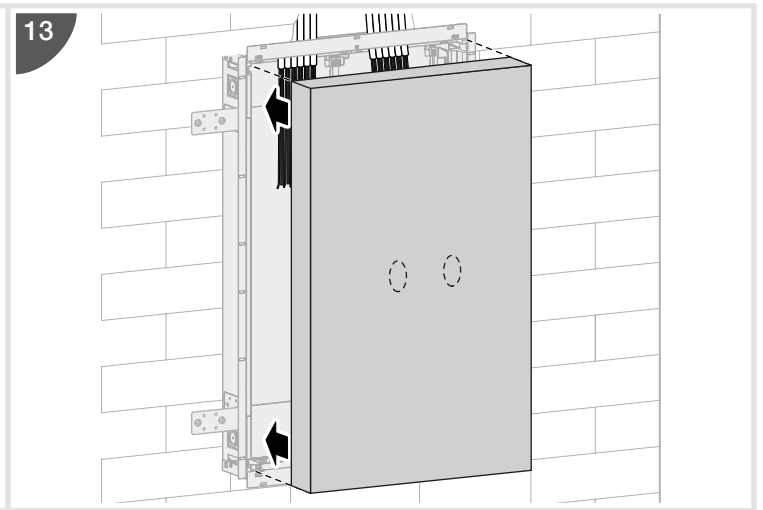
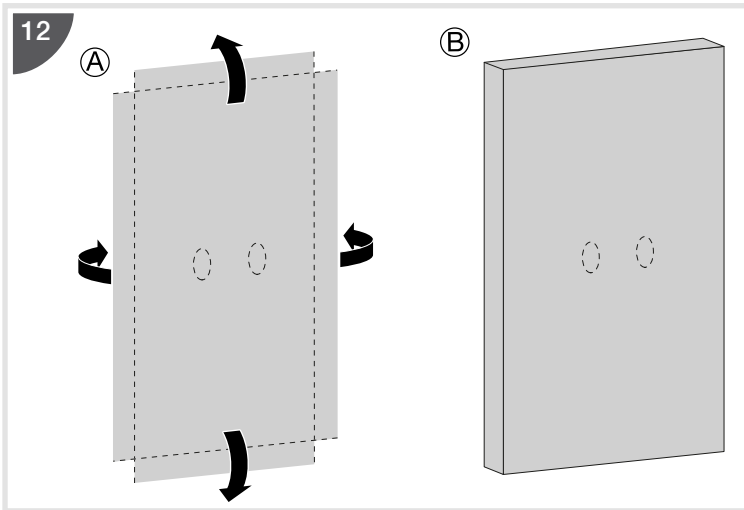
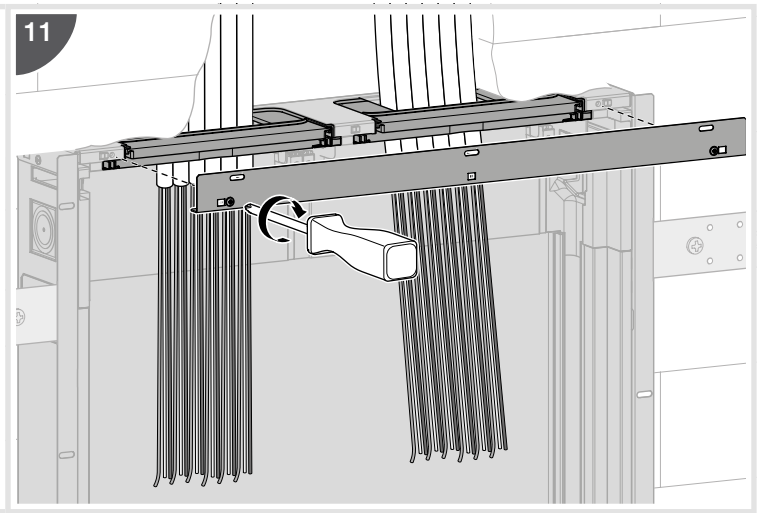
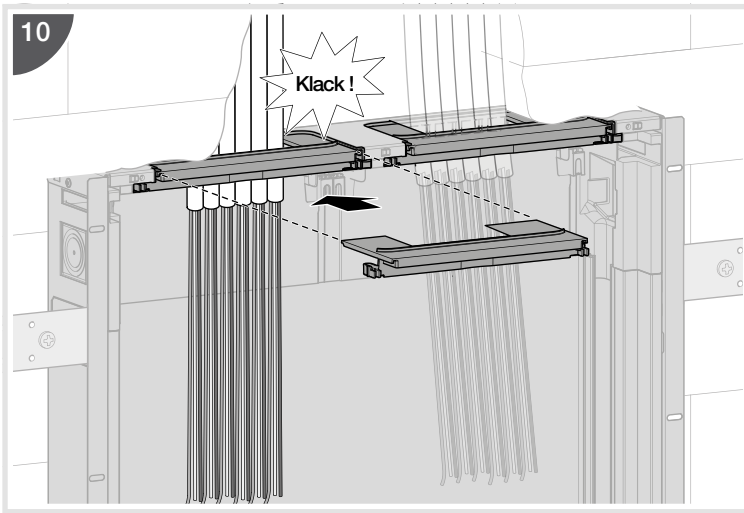


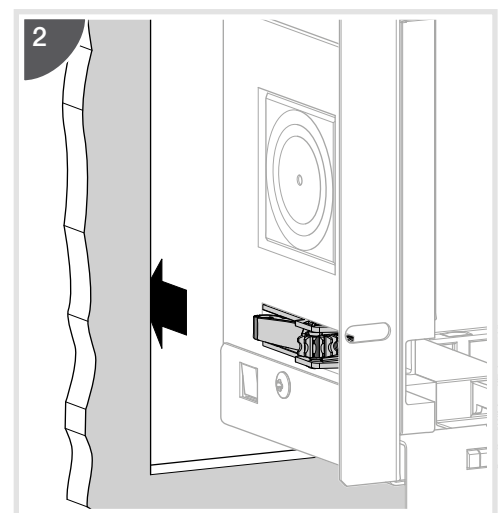
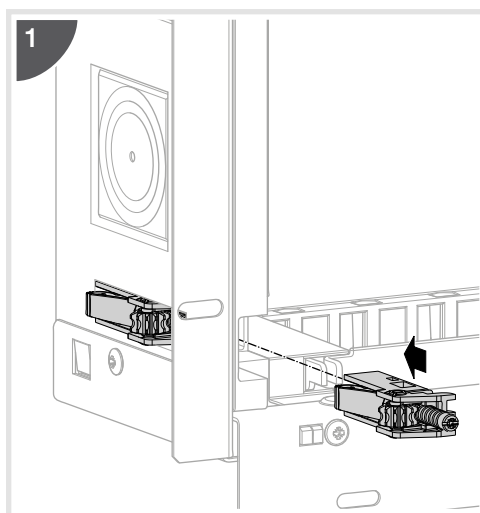
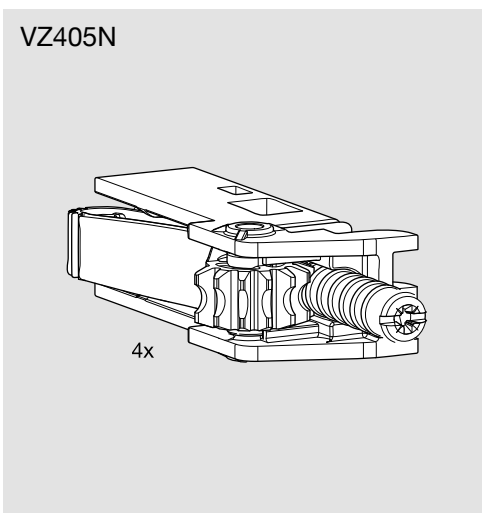
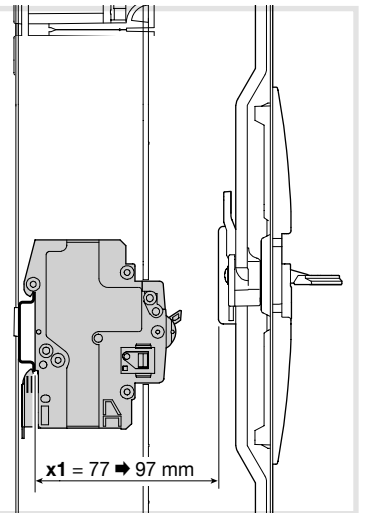
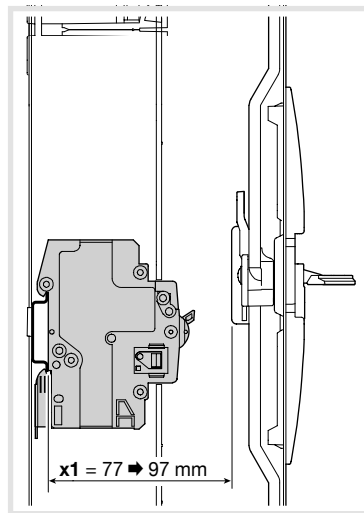
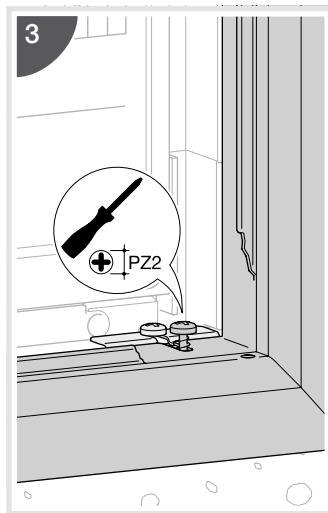
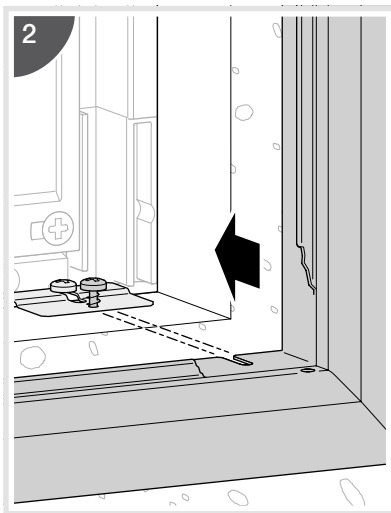
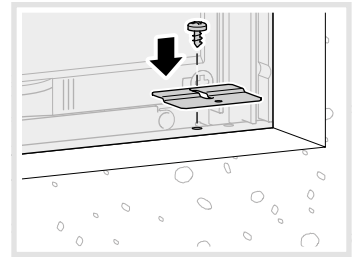
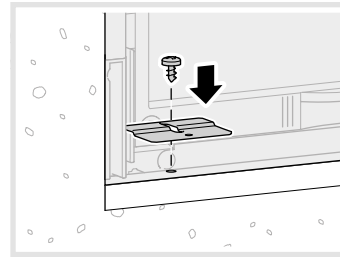
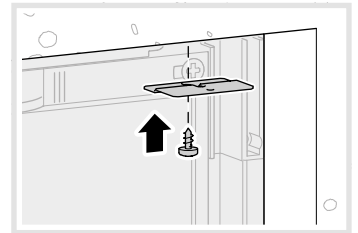
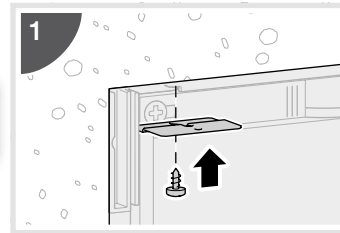
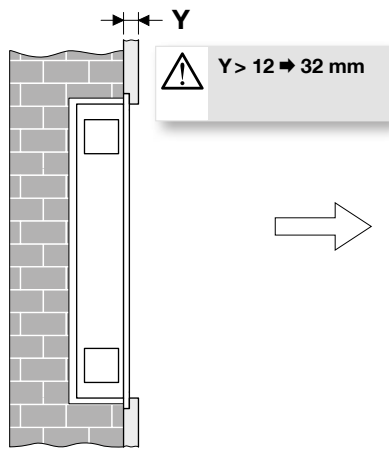
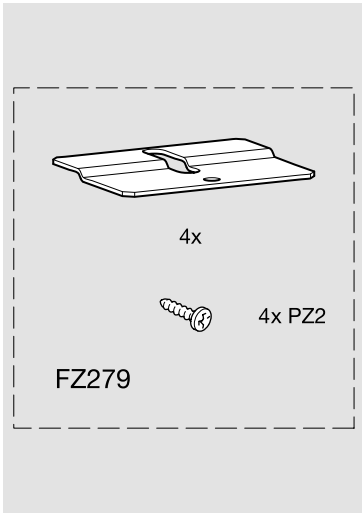
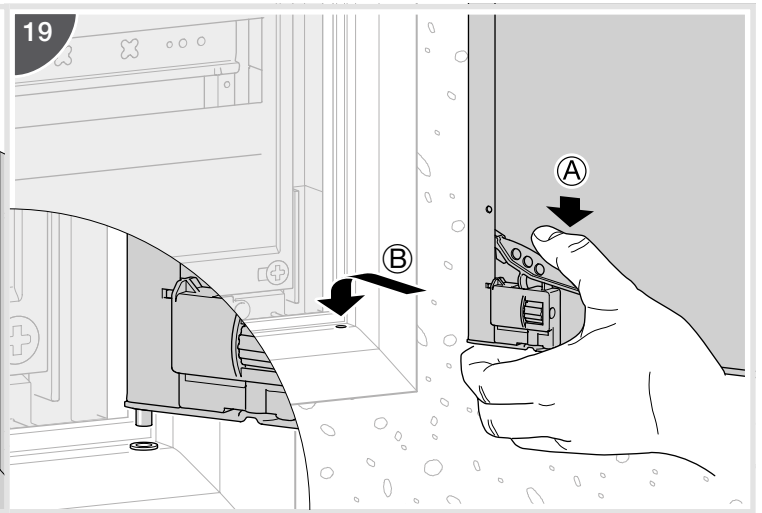
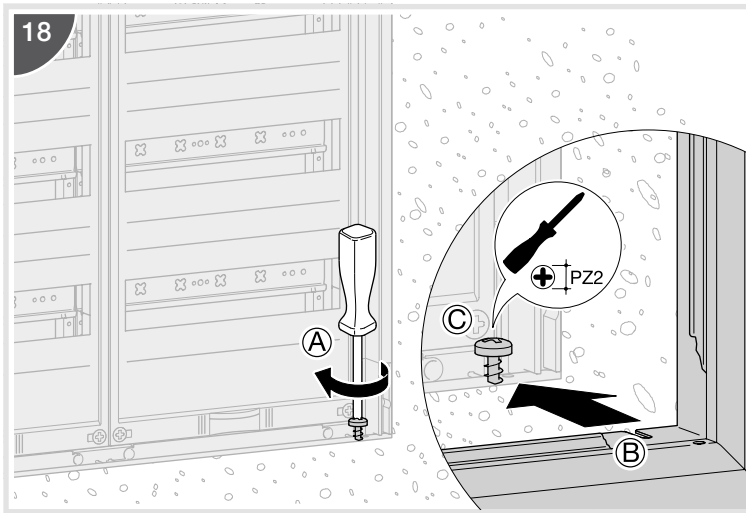
8

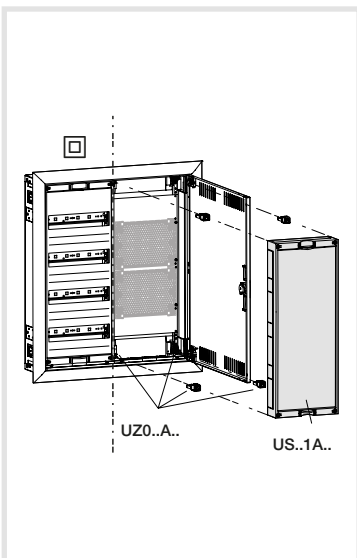
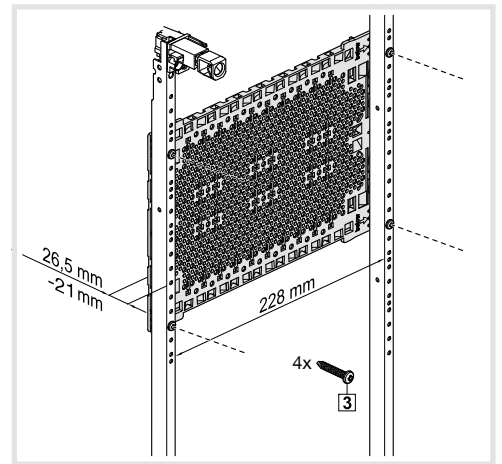
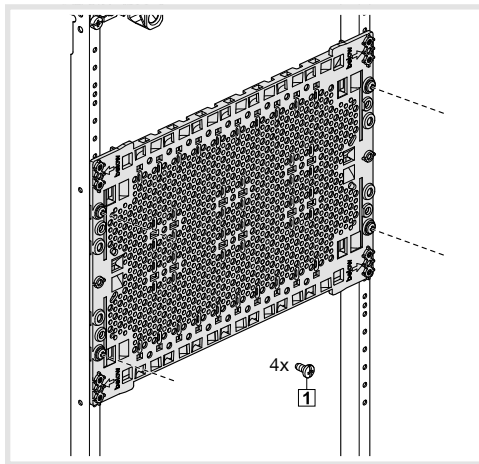
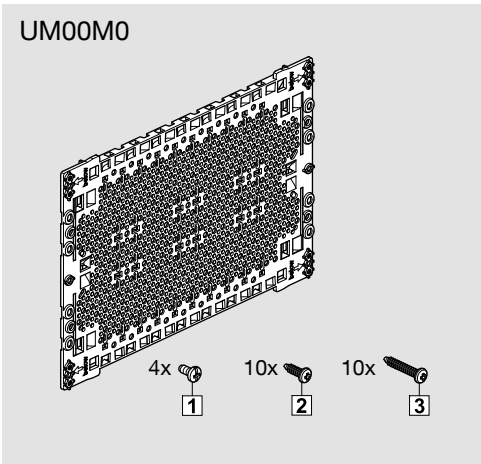
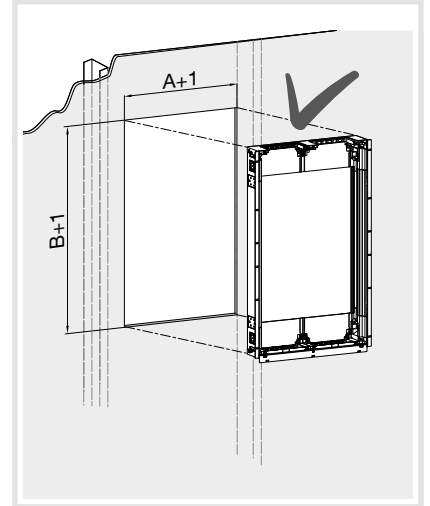
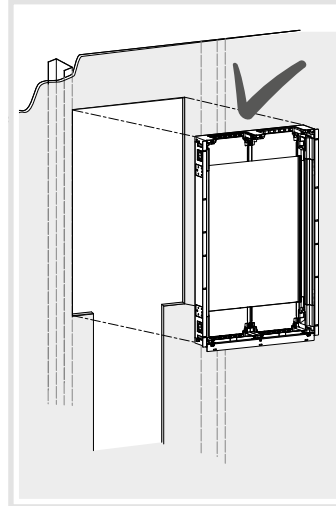
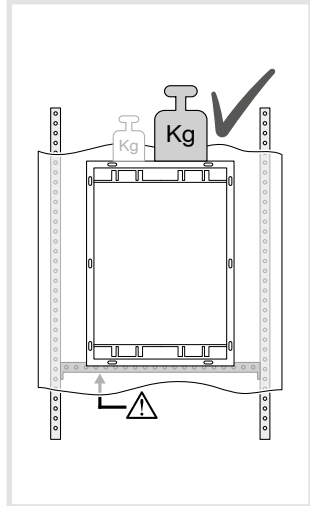
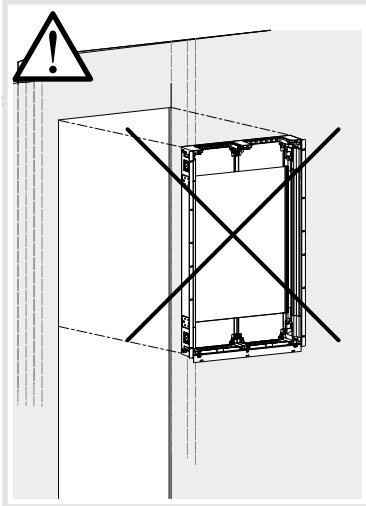
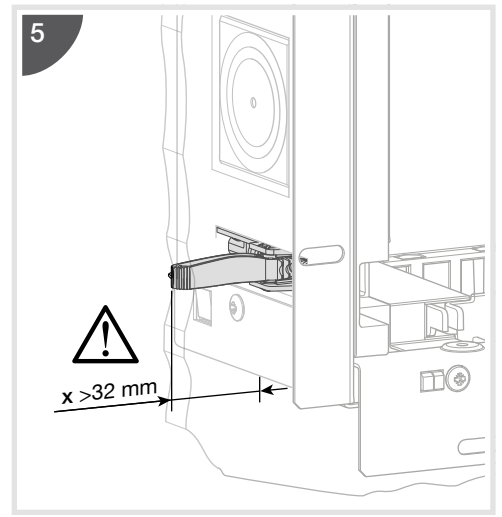
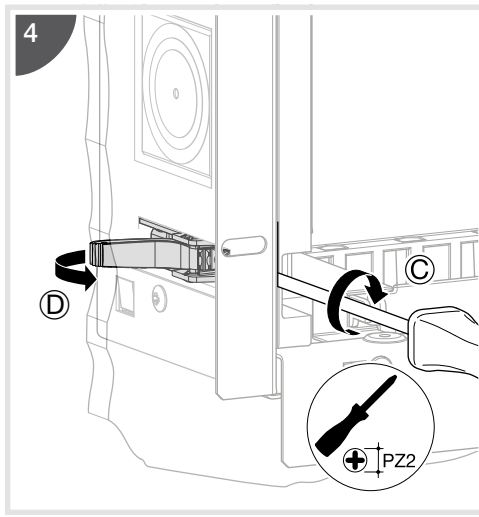
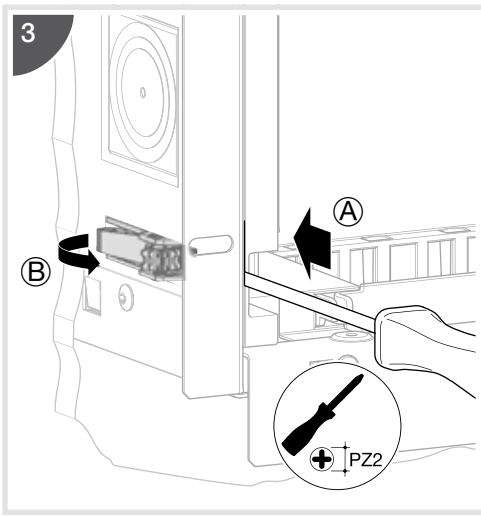


9



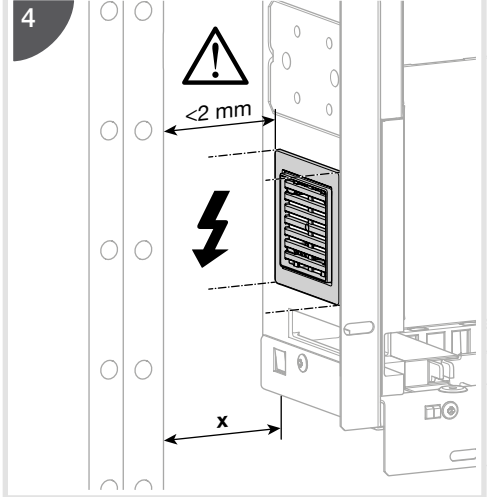
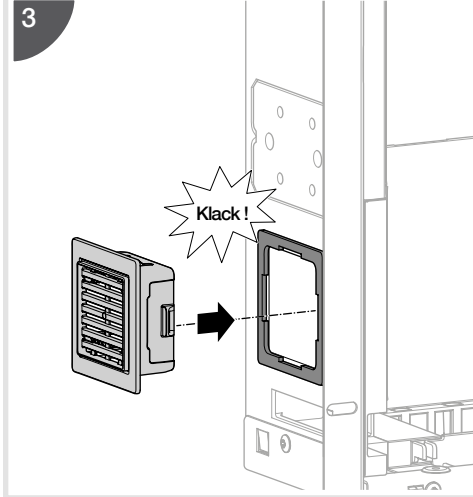
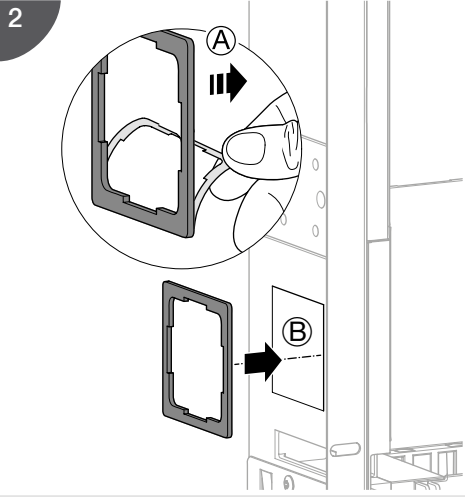
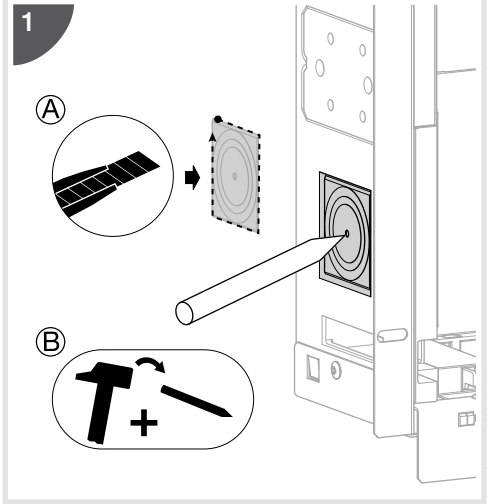
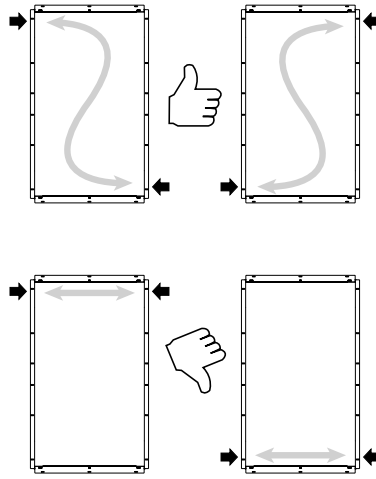
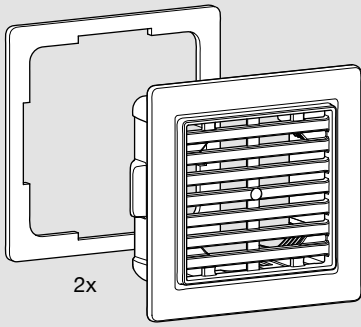






| | UN0..FN | UZ03A1 | UZ01A2 | UZ04A1 | UM00M0 | UZ..1M.. | US31A1 | US41A1 | US51A1 |
|----------|-----------|--------|--------|--------|--------|------------------------------|--------|--------|--------|
| FWU3.... | 1x UN03FN | 2x | 4x | - | 2x | 1x UZ31M5/M6 | 1x | - | - |
| FWU4.... | 1x UN04FN | 2x | 4x | - | 3x | 1x UZ41M5/M6 | - | 1x | - |
| FWU5.... | 1x UN05FN | 2x | 4x | - | 3x | 1x UZ51M5/M6 | - | - | 1x |
| FWU6.... | 1x UN06FN | 2x | 4x | 2x | 4x | 2x UZ31M5/M6 | 2x | - | - |
| FWU7.... | 1x UN07FN | 2x | 4x | 2x | 5x | 1x UZ31M5/M6 1x UZ41M5/M6 | 1x | 1x | - |
| FWU8.... | 1x UN08FN | 2x | 4x | 2x | 6x | 2x UZ41M5/M6 | - | 2x | - |

FD00P5



ZZ44SF

