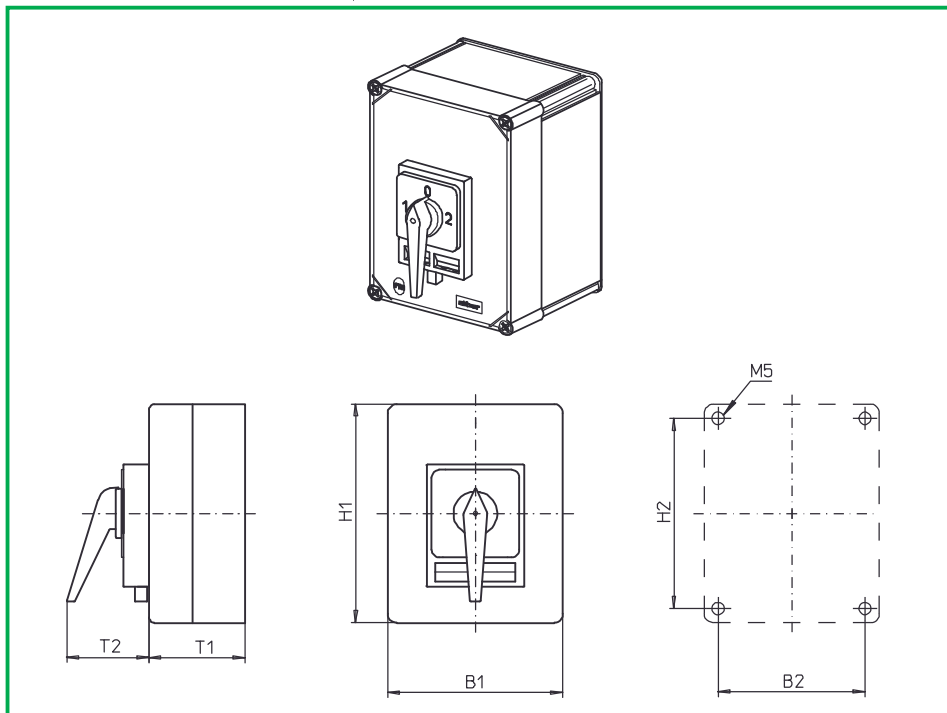


Enclosed Switches



Product line
H400-E

Enclosed switches

Insulated enclosure

320 x 220 x 180 mm

With cover interlock
in ON position

Cable entries

Gland plates

976H1 (IP66)

979H1 (IP66)

Complete switch	Poles	Product line	Rated data (IEC 60947)			Order code number
			Operational current I_e	Operational power at 380–440 V		
			AC-21A A	AC-23A kW	AC-3 kW	
Changeover with OFF Switching angle 90° OFF position padlockable 12h	3 ... 4	H400-E	63	22	18,5	H406 - 71 ... - 976H1
			80	30	22	H408 - 71 ... - 976H1
			100	37	30	H410 - 71 ... - 976H1
			125	45	37	H412 - 71 ... - 976H1
Changeover with OFF Switching angle 90° 3 positions padlockable (09h/ 12h/ 03h)	3 ... 4	H400-E	63	22	18,5	H406 - 71 ... - 979H1
			80	30	22	H408 - 71 ... - 979H1
			100	37	30	H410 - 71 ... - 979H1
			125	45	37	H412 - 71 ... - 979H1

SMD modules for basic switch A02		
Mounting form module for 976H1/979H1	H400-E	BFC4 - ED
Enclosure module, mounting form 976H1		PAH4 - 976H1
Enclosure module, mounting form 979H1		PAH4 - 979H1
Legend plate silver, enclosure module 976H1/979H1		FAS6 - 9 ... (FA number)

Dimensions (mm)						
Product line	H1	B1	T1	T2	H2	B2
H400-E	320	220	180	83	293	193