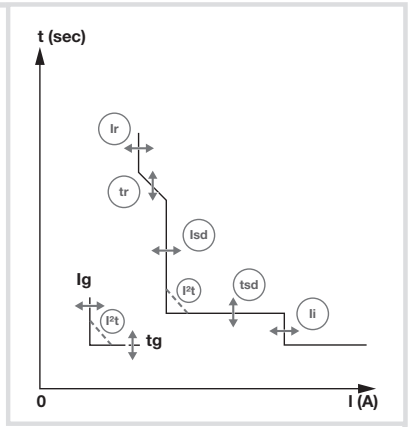
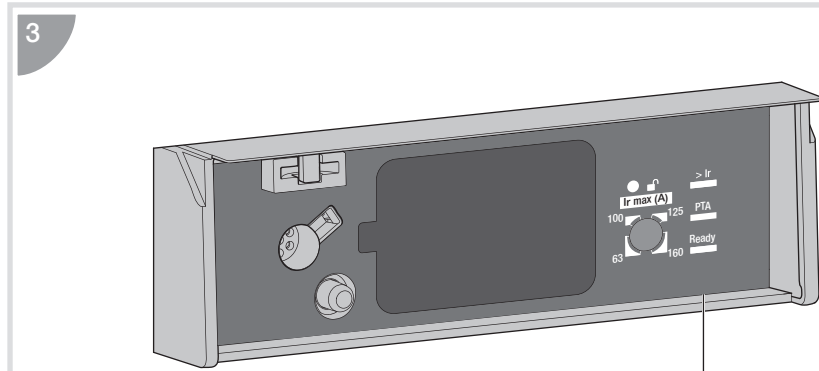
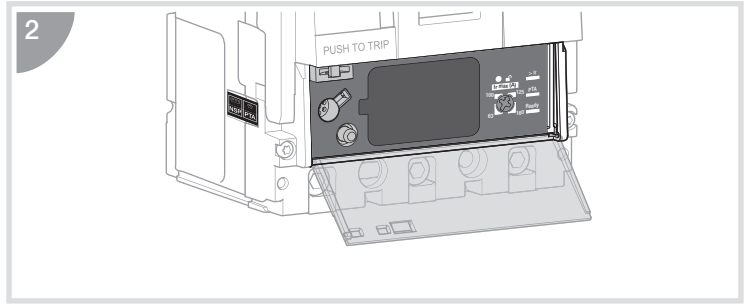
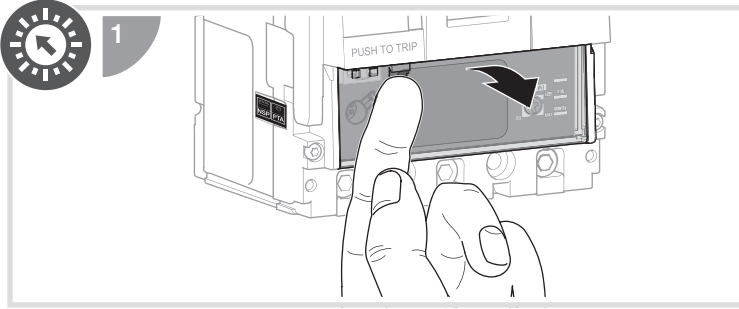


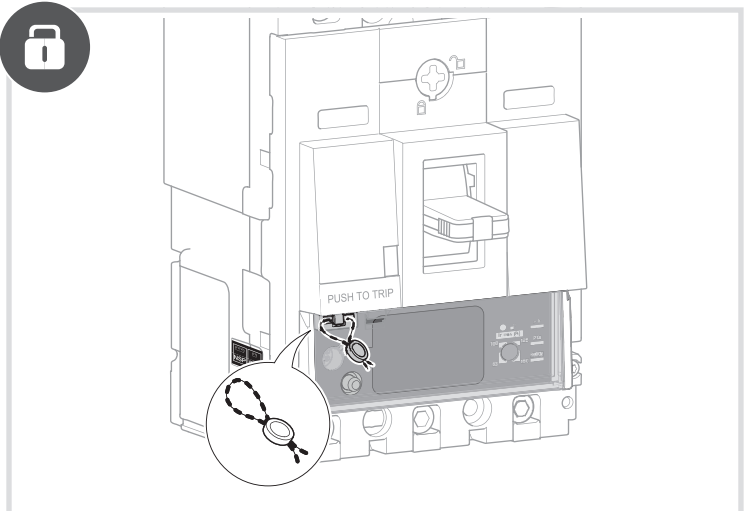
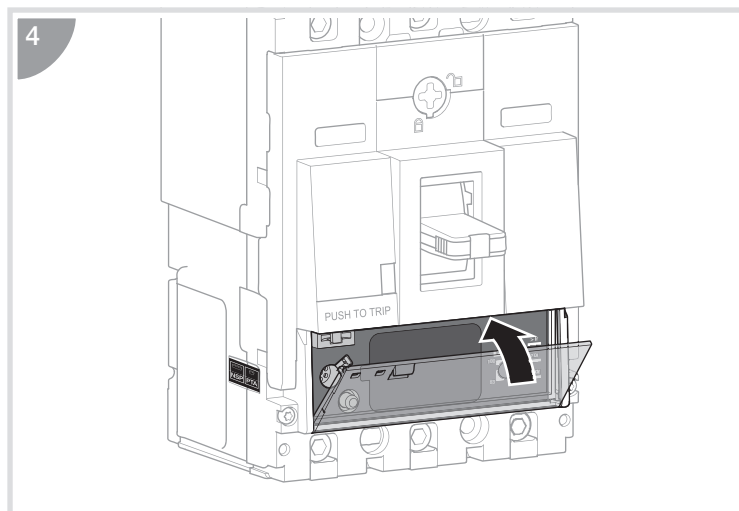
<http://www.hgr.io/r/hmt250nr>

TRIP UNIT Energy



> Ir	< 105% Ir	≥ 105% Ir	I > 112% Ir
PTA	PTA OFF	PTA ON	PTA ON PTA OUT ON
Ready	OFF		ON

:hager



5

