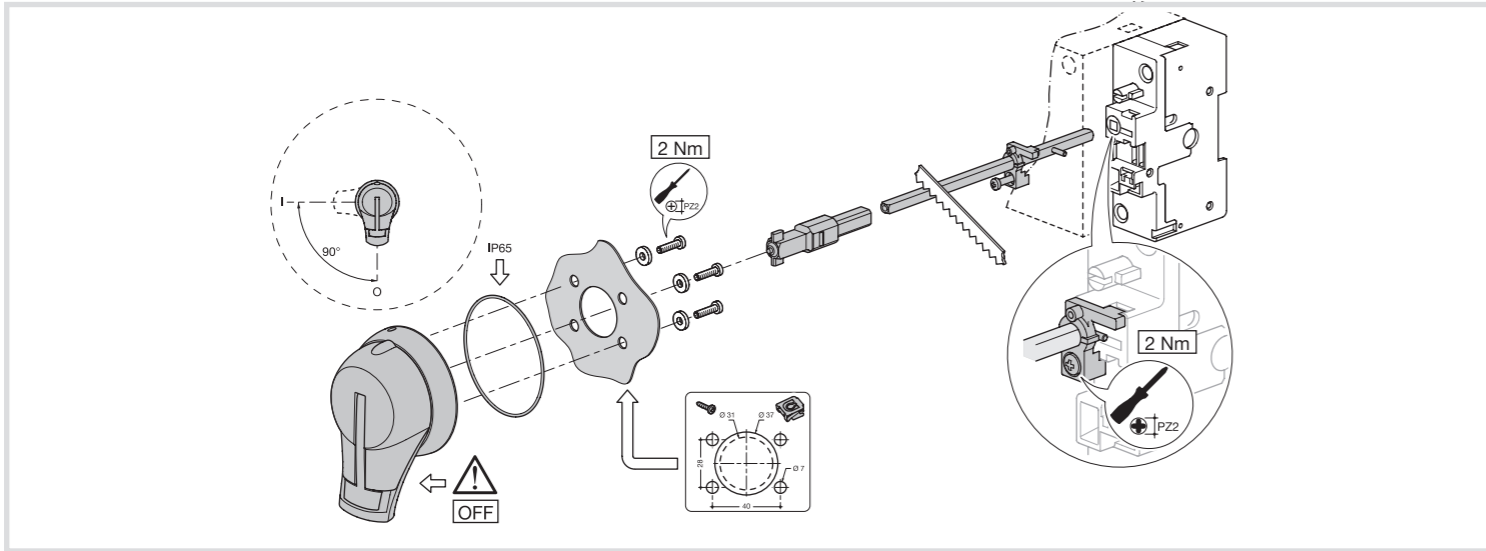
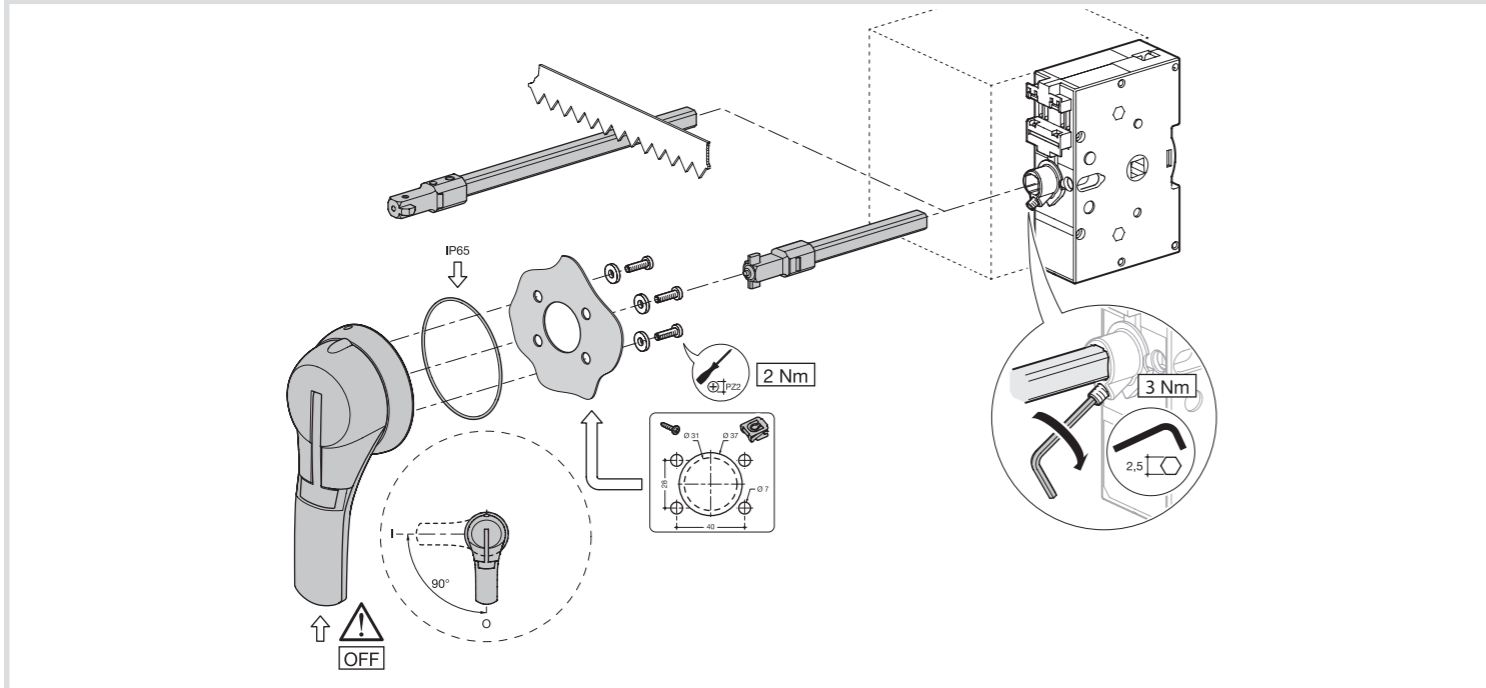


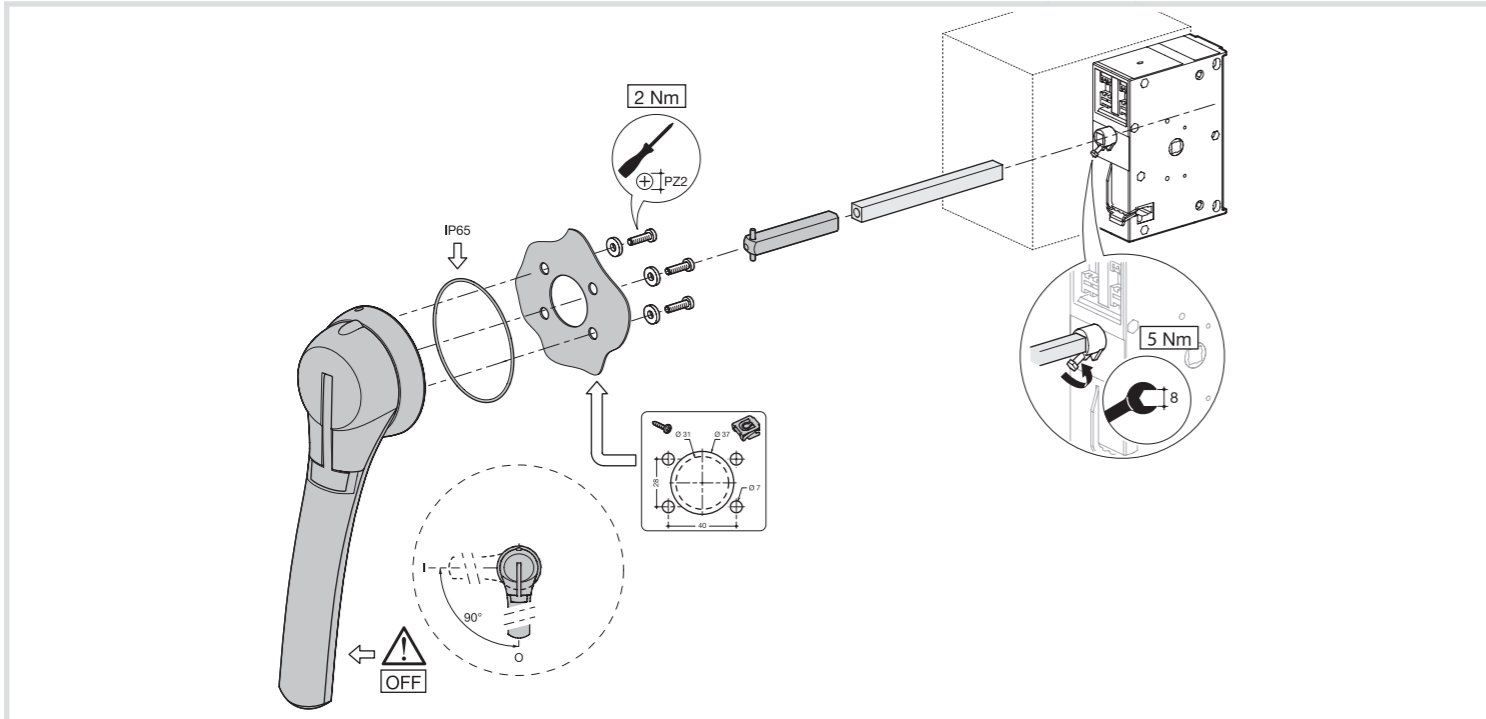
Comande rotative 20 - 32A/Rotary handle/Drehantrieb/Comando rotativo



Comande rotative 63 - 400A/Rotary handle/Drehantrieb/Comando rotativo



Comande rotative 630 - 800A/Rotary handle/Drehantrieb/Comando rotativo



:hager

6H5113d

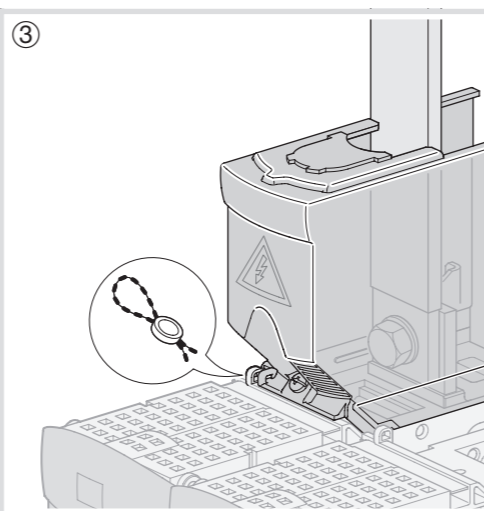
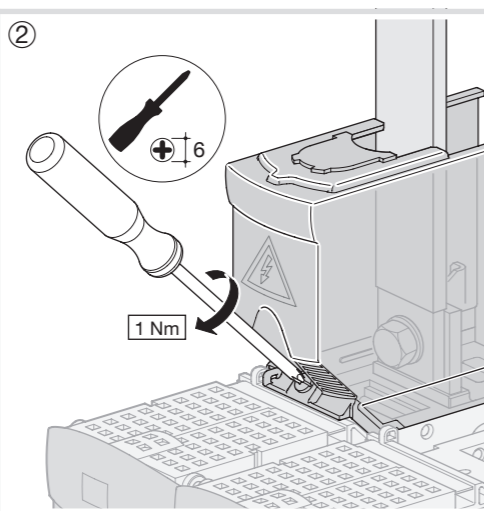
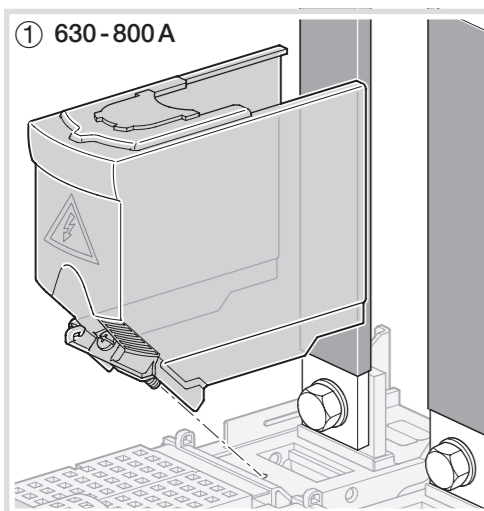
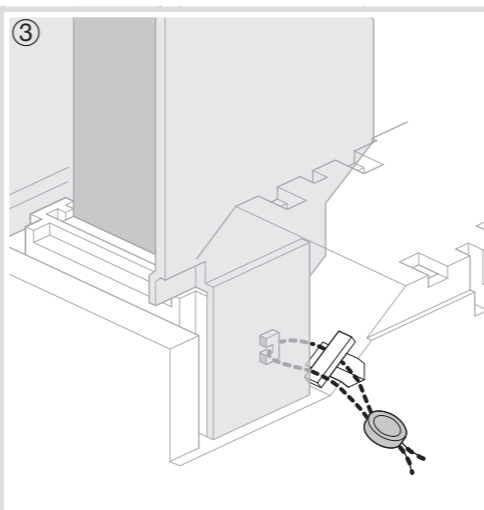
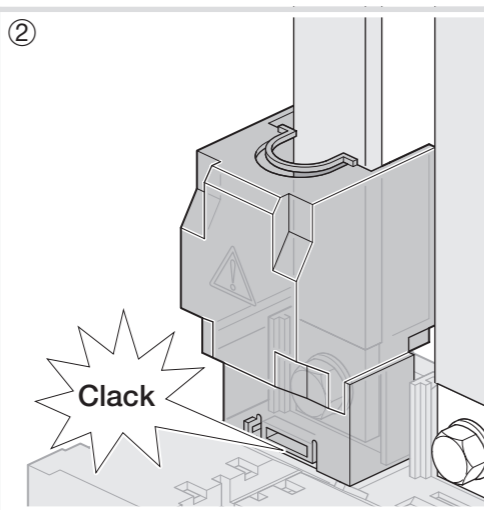
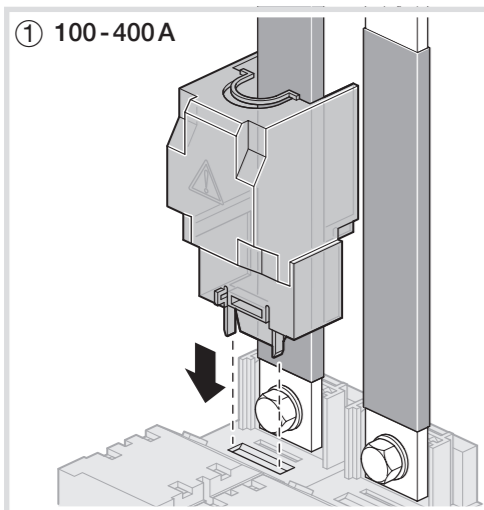
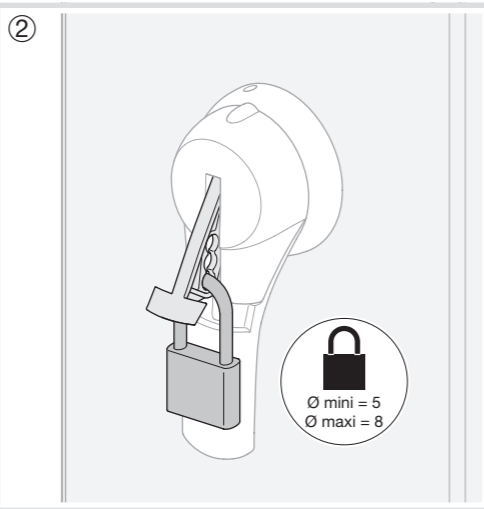
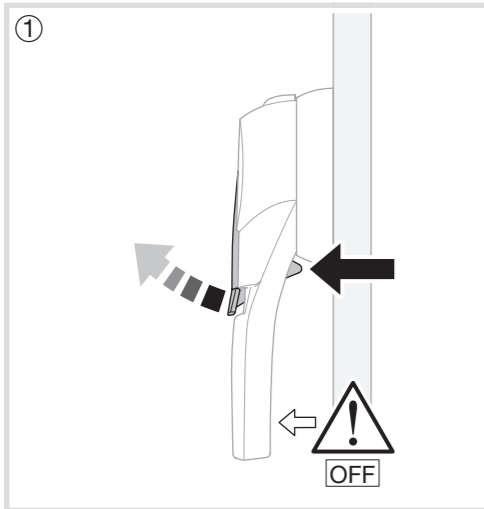
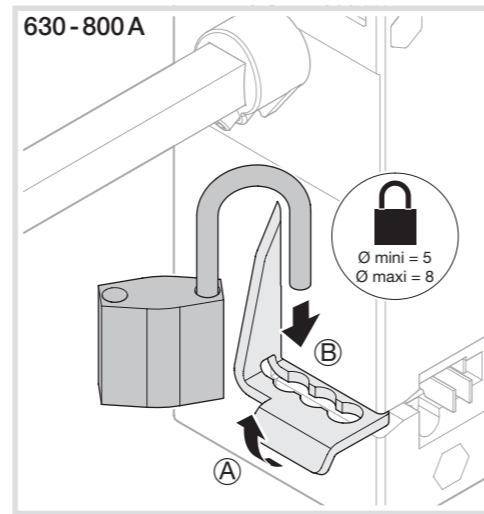
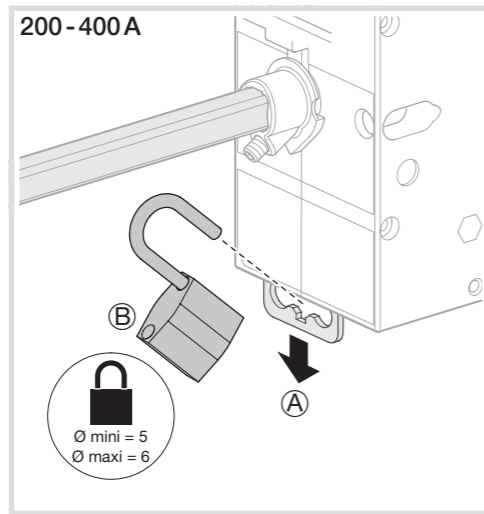
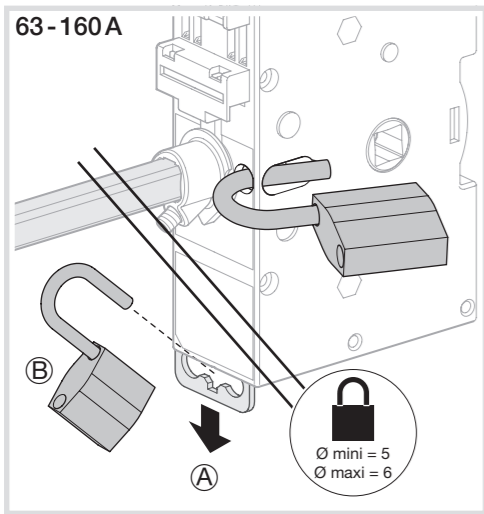
- (FR) Interrupteurs sectionneurs fusibles 20 - 800 A
- (DE) Schalter mit Sicherung 20 - 800 A
- (EN) Fuse combination switch 20 - 800 A
- (PT) Interruptores seccionadores - fusiveis

In (A)	BS	DIN	ØM	Maxi	Maxi		3P (4P)
20	A1	/	/	16mm ²	/	2Nm	4x
32	A1	/	/	16mm ²	/	2Nm	4x
63	A2-A3	000	/	25mm ²	/	6Nm	/
100	A4	/	M8	95mm ²	20x 5mm	9Nm	6x (8x) M8-15 6x (8x)
125	B1-B2	00	M8	95mm ²	20x 5mm	9Nm	6x (8x) M8-15 6x (8x)
160	B1-B2	00	M8	95mm ²	20x 5mm	9Nm	6x (8x) M8-15 6x (8x)
200	B1-B2	/	M10	240mm ²	32x 5mm	20Nm	6x (8x) M10-15 6x (8x)
250	B1-B3	1	M10	240mm ²	32x 5mm	20Nm	6x (8x) M10-15 6x (8x)
315	B1-B2-B3	/	M10	240mm ²	45x 5mm	20Nm	6x (8x) M10-15 6x (8x)
400	B1-B4	2	M10	240mm ²	45x 5mm	20Nm	6x (8x) M10-15 6x (8x)
630	C1-C2	3	M12	2x300mm ²	63x 5mm	40Nm	6x (8x) M12-35 12x (16x) M10-25 6x (8x) 12x (16x)
800	C1-C3	/	M12	2x300mm ²	63x 5mm	40Nm	6x (8x) M12-35 12x (16x) M10-25 6x (8x) 12x (16x)

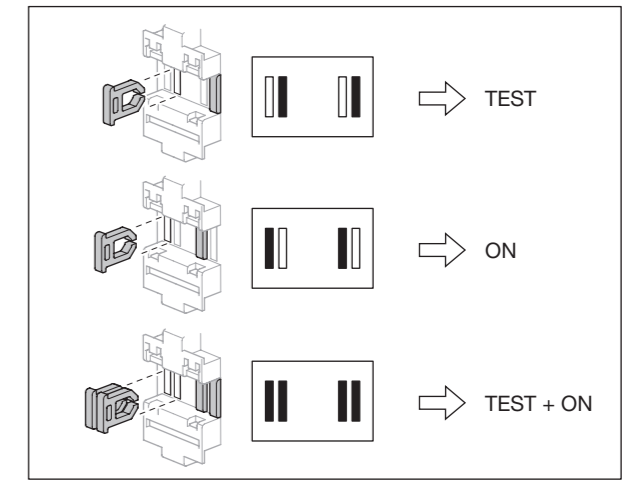
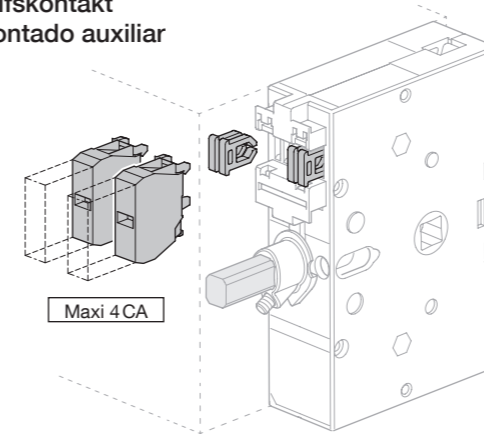
Edition 05/17 - IS 532222-D / Recto-Verso / S blanc offset 80g/m² / Pantone Black

Fixation/Fixierung/Fixing/Fijación

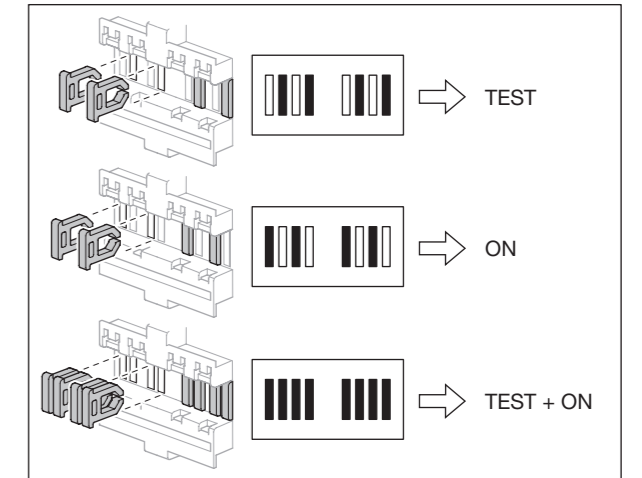
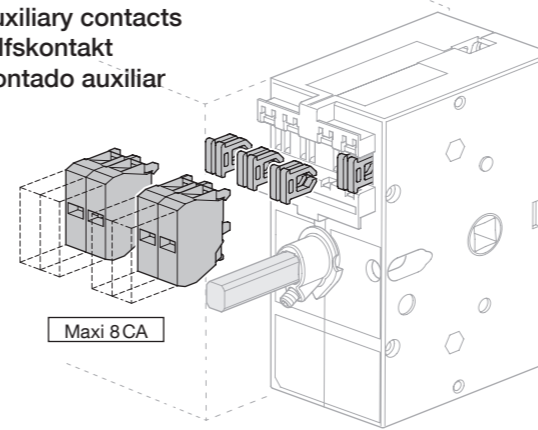
Calibre (A) Rating (A)	J (3p)		J (4p)		J1		K		U	
	in	mm	in	mm	in	mm	in	mm	in	mm
20/32					1.47	37.5	3.30	84	0.20	5.2
63	1.26	32	2.52	64	1.96	50	4.17	106	0.21	5.4
100	1.41	36	2.83	72	2.12	54	5	127	0.21	5.4
125/160 (DIN)	1.41	36	2.83	72	2.12	54	5	127	0.21	5.4
125/160 (BS)	1.96	50	3.93	100	2.52	64	5.51	140	0.21	5.4
200/250	2.36	60	4.72	120	3.38	86	6.37	162	0.25	6.4
315	2.59	66	5.19	132	3.58	91	8.23	209	/	/
400	2.59	66	5.19	132	3.58	91	8.23	209	/	/
630/800	11.18	284	14.88	378	/	/	9.84	250	/	/



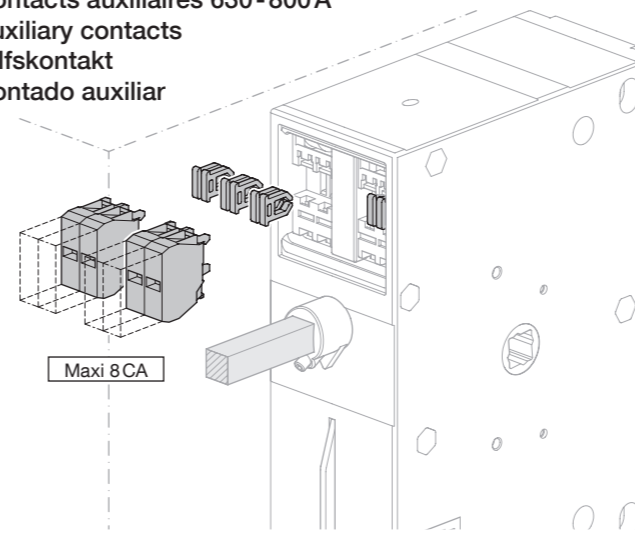
Contacts auxiliaires 20 - 200 A
Auxiliary contacts
Hilfskontakt
Contado auxiliar



Contacts auxiliaires 250 - 400 A
Auxiliary contacts
Hilfskontakt
Contado auxiliar



Contacts auxiliaires 630 - 800 A
Auxiliary contacts
Hilfskontakt
Contado auxiliar



Montage des contacts auxiliaires
Auxiliary contacts mounting
Montage der Hilfskontakt
Montagem de contados auxiliares

