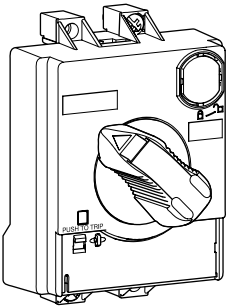
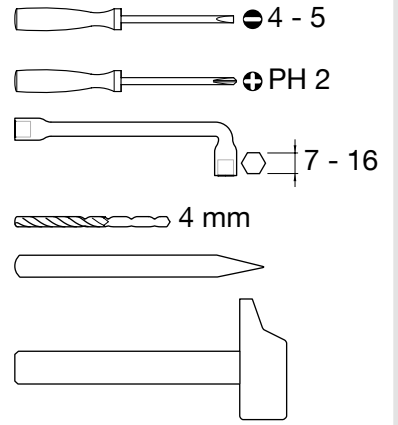


6LE002226AC

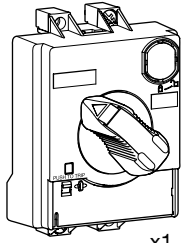


P160
HXS030H

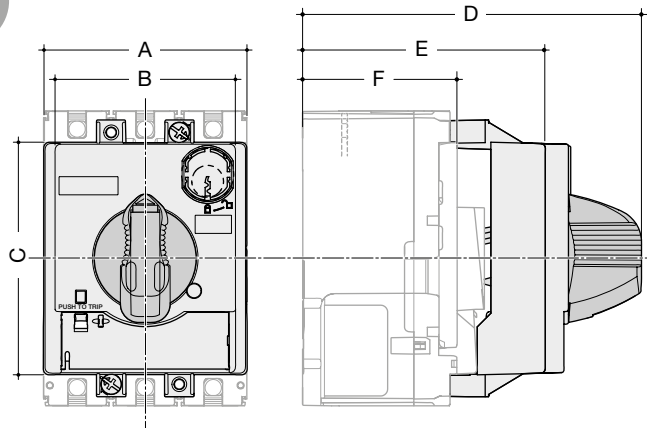
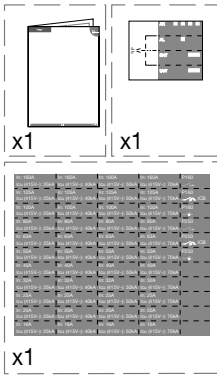
P250
HXT030H



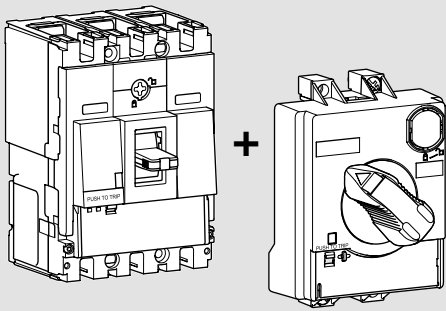
3P-4P



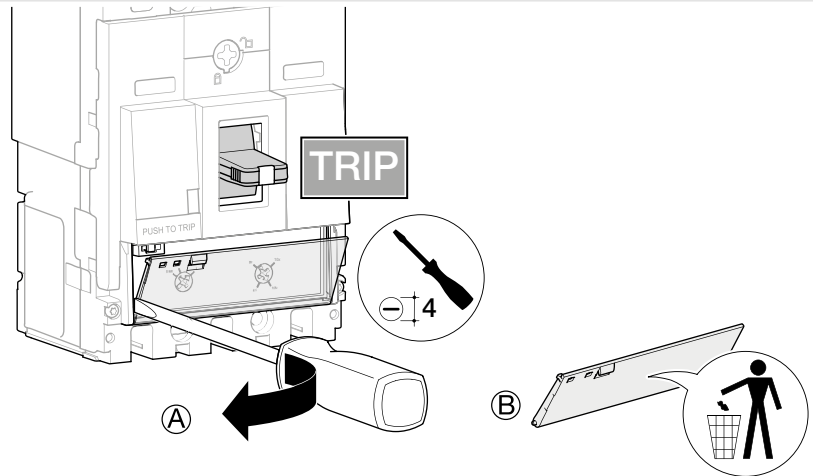
x1



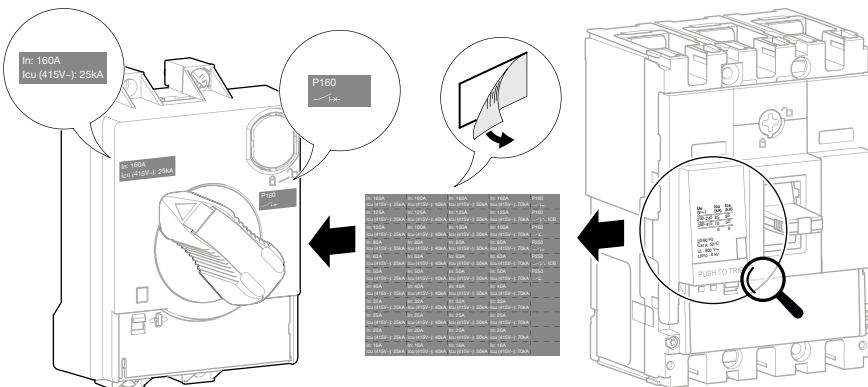
	P160	P250
A	90	105
B	80	95,5
C		102
D		151
E		108
F		68



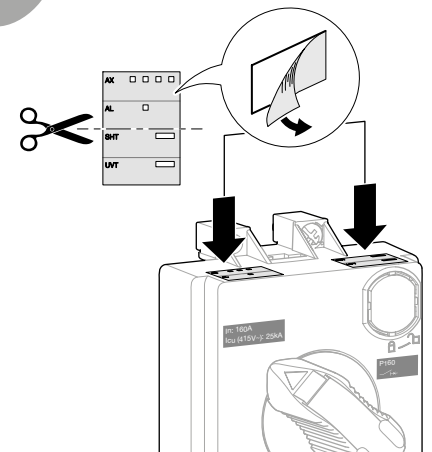
1

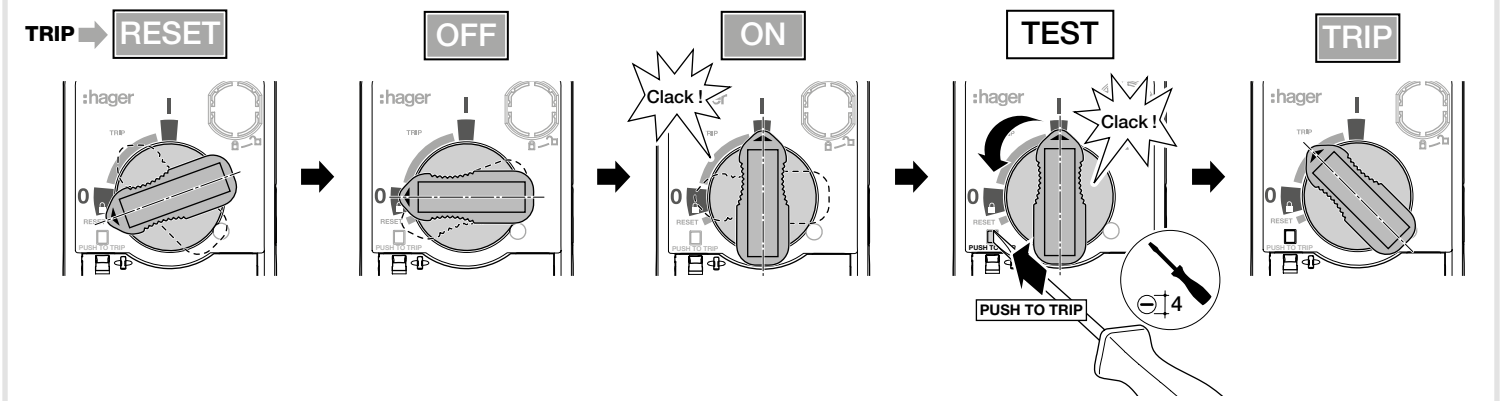
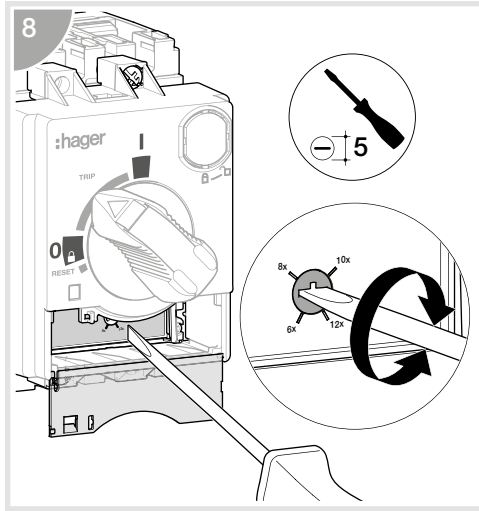
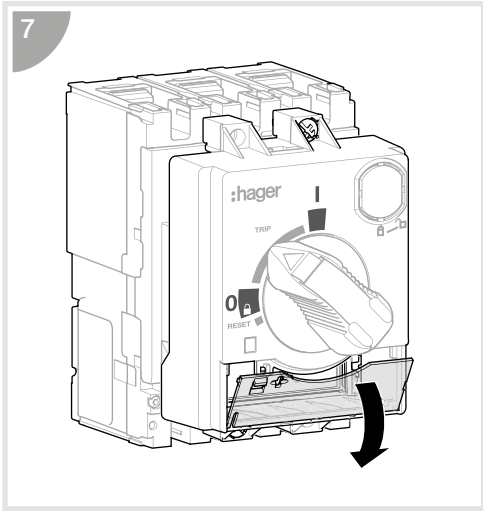
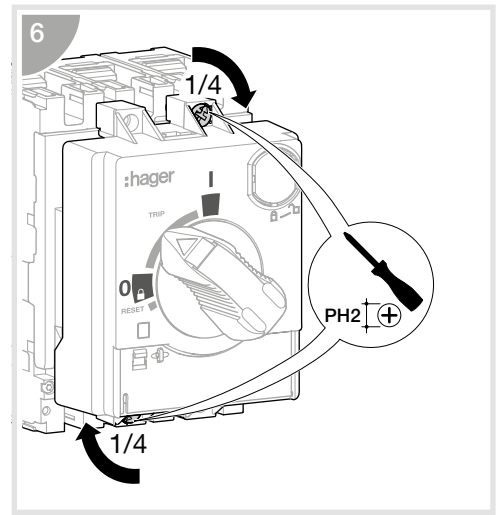
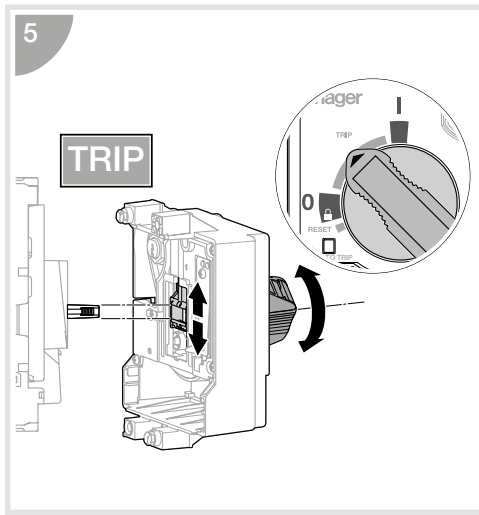
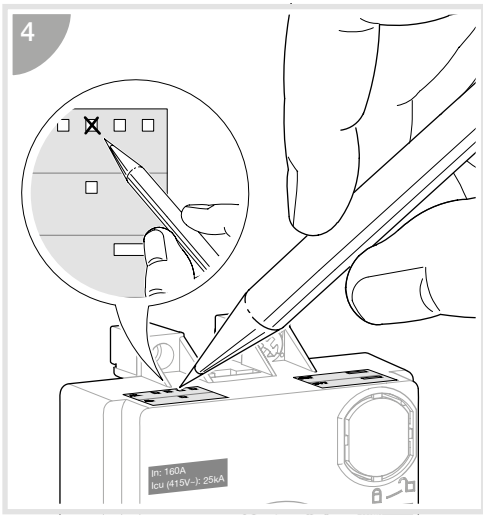


2

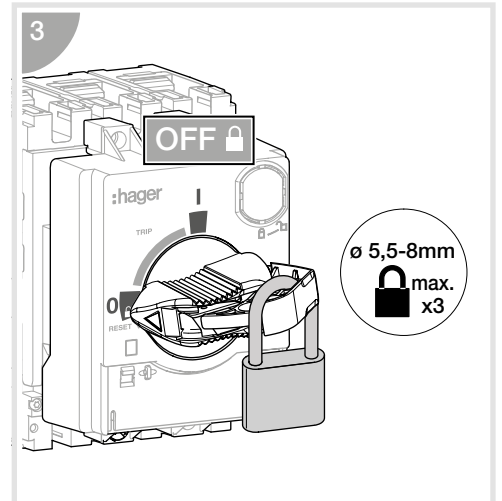
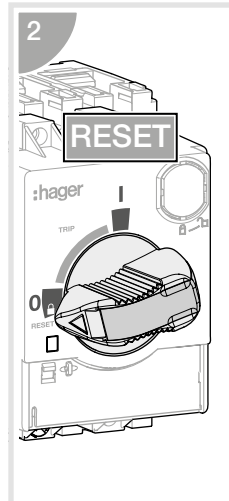
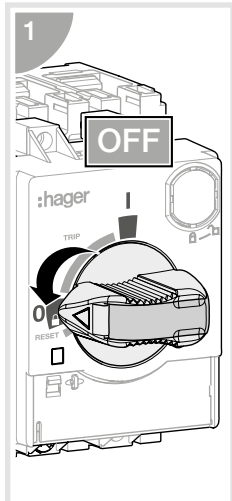


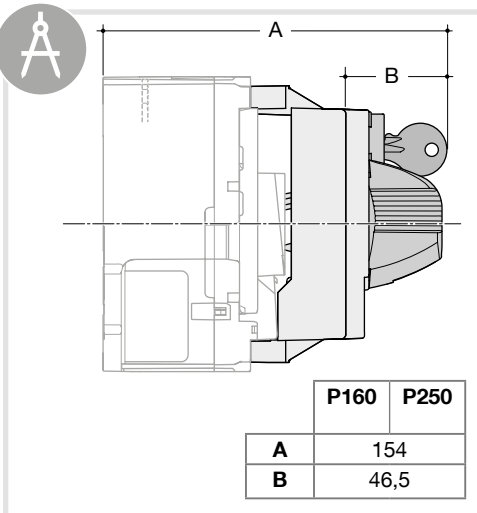
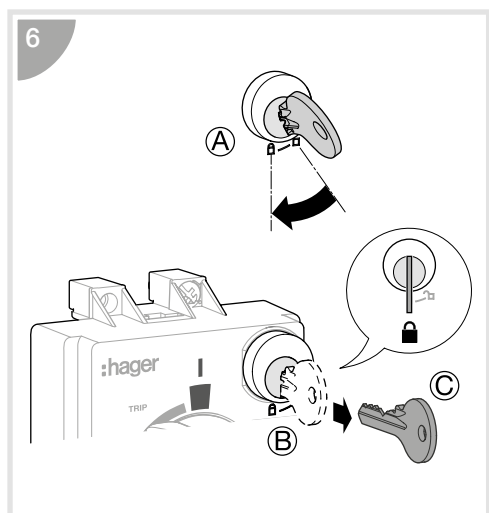
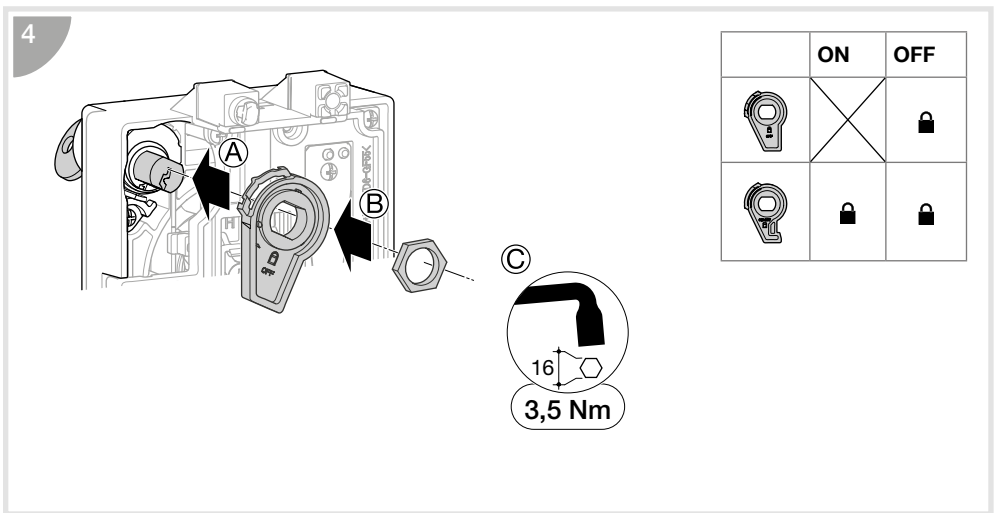
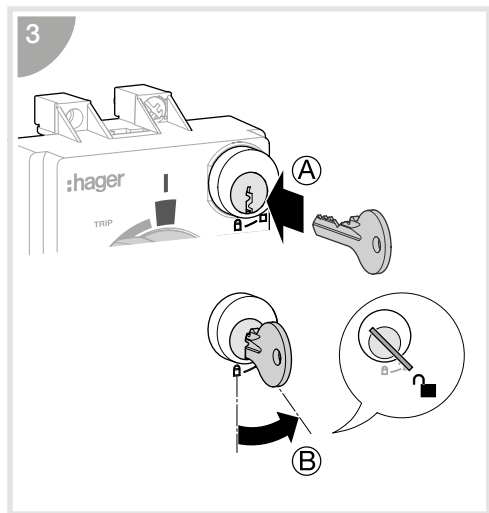
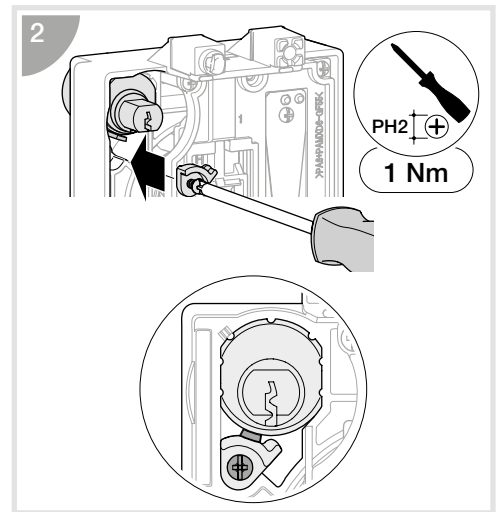
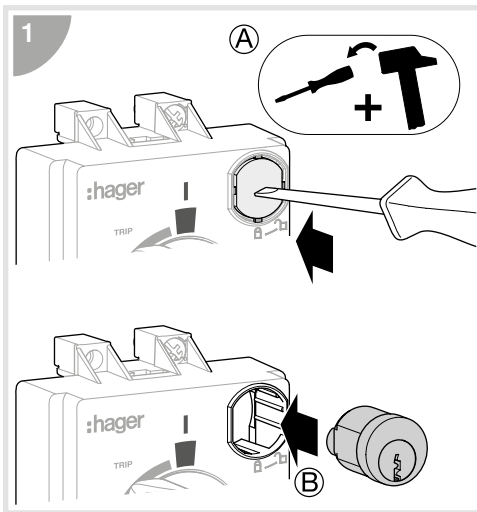
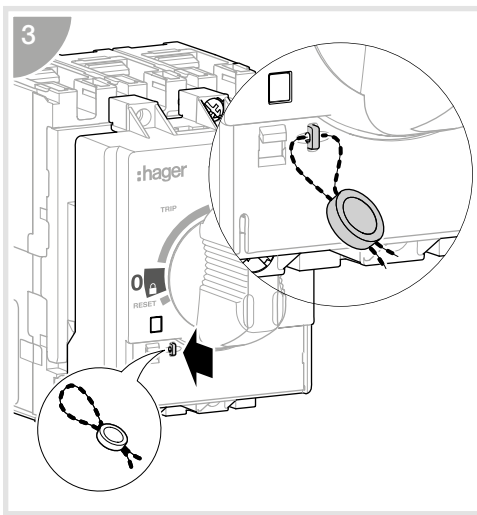
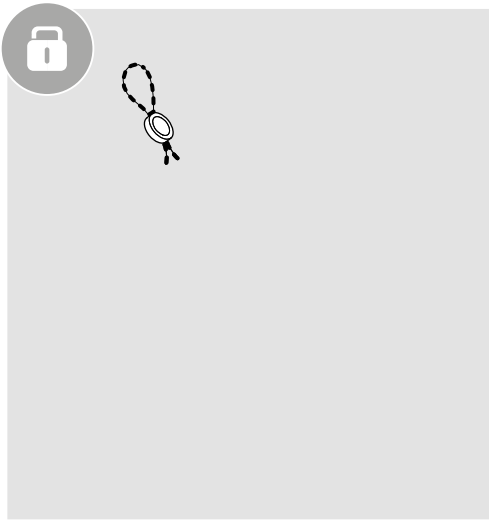
3





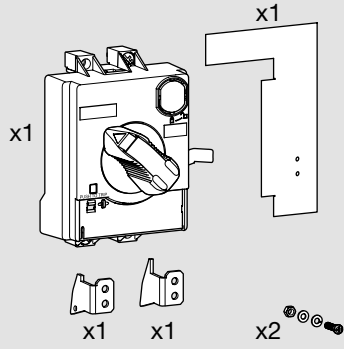
①		ON	✓
②		TRIP	✓
③		OFF	✗
④		OFF	✓



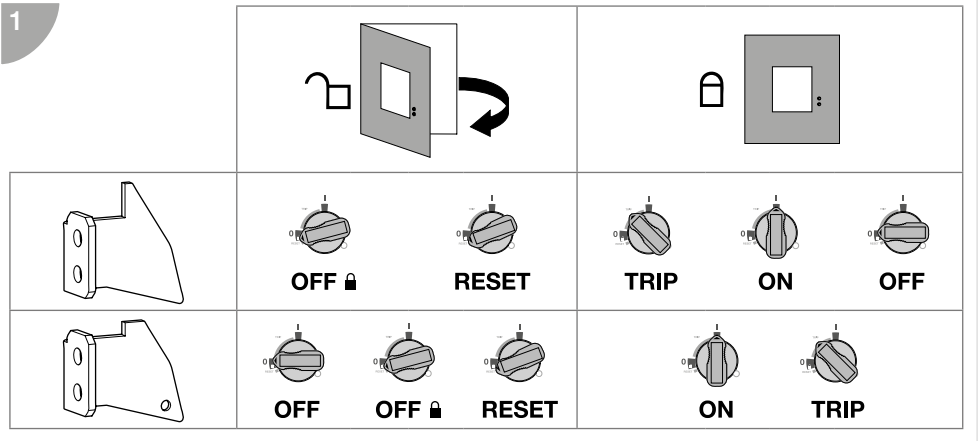




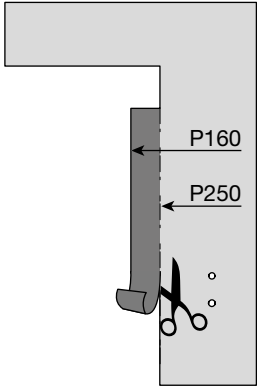
HXS032H (P160)
HXT032H (P250)



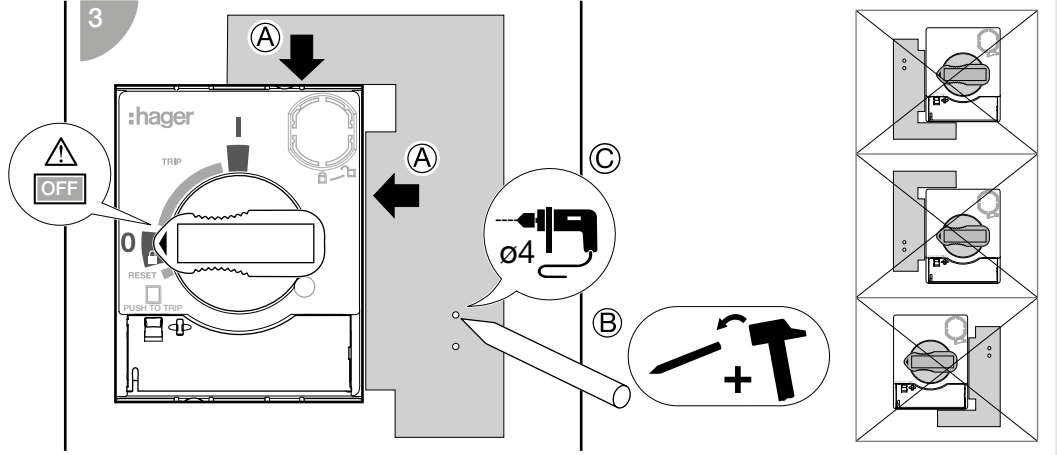
1



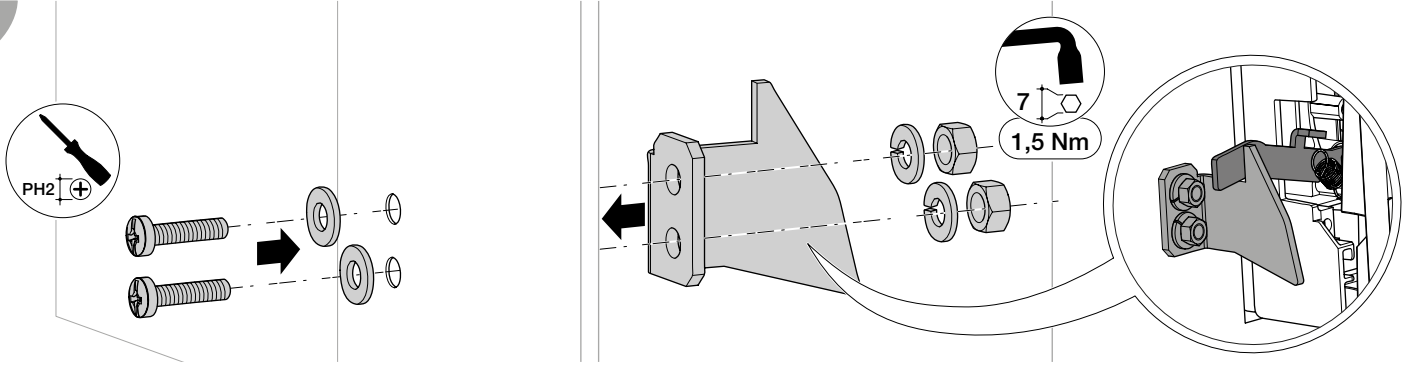
2



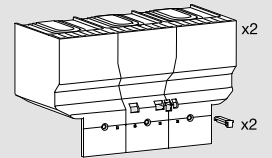
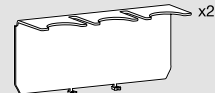
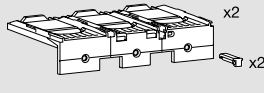
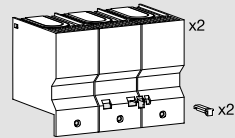
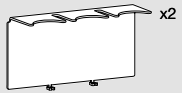
3



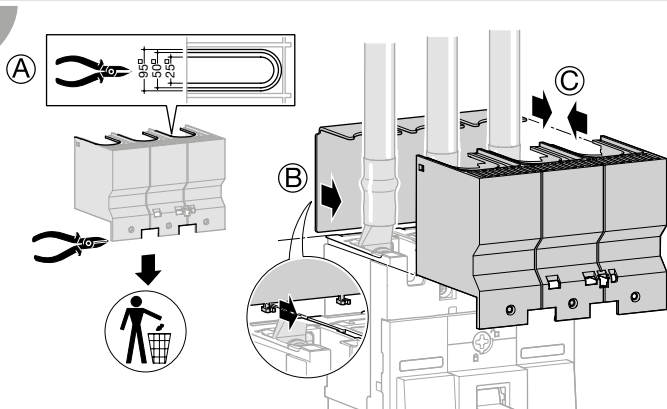
4



P160	P250	P160	P250	P160	P250	P160	P250	P160	P250
HYS050H (3P)	HYT050H (3P)	HYS021H (3P)	HYT021H (3P)	HYS025H (3P)	HYT025H (3P)	HYS052H (3P)	HYT052H (3P)	HYS023H (3P)	HYT023H (3P)
HYS051H (4P)	HYT051H (4P)	HYS022H (4P)	HYT022H (4P)	HYS026H (4P)	HYT026H (4P)	HYS053H (4P)	HYT053H (4P)	HYS024H (4P)	HYT024H (4P)



1



2

