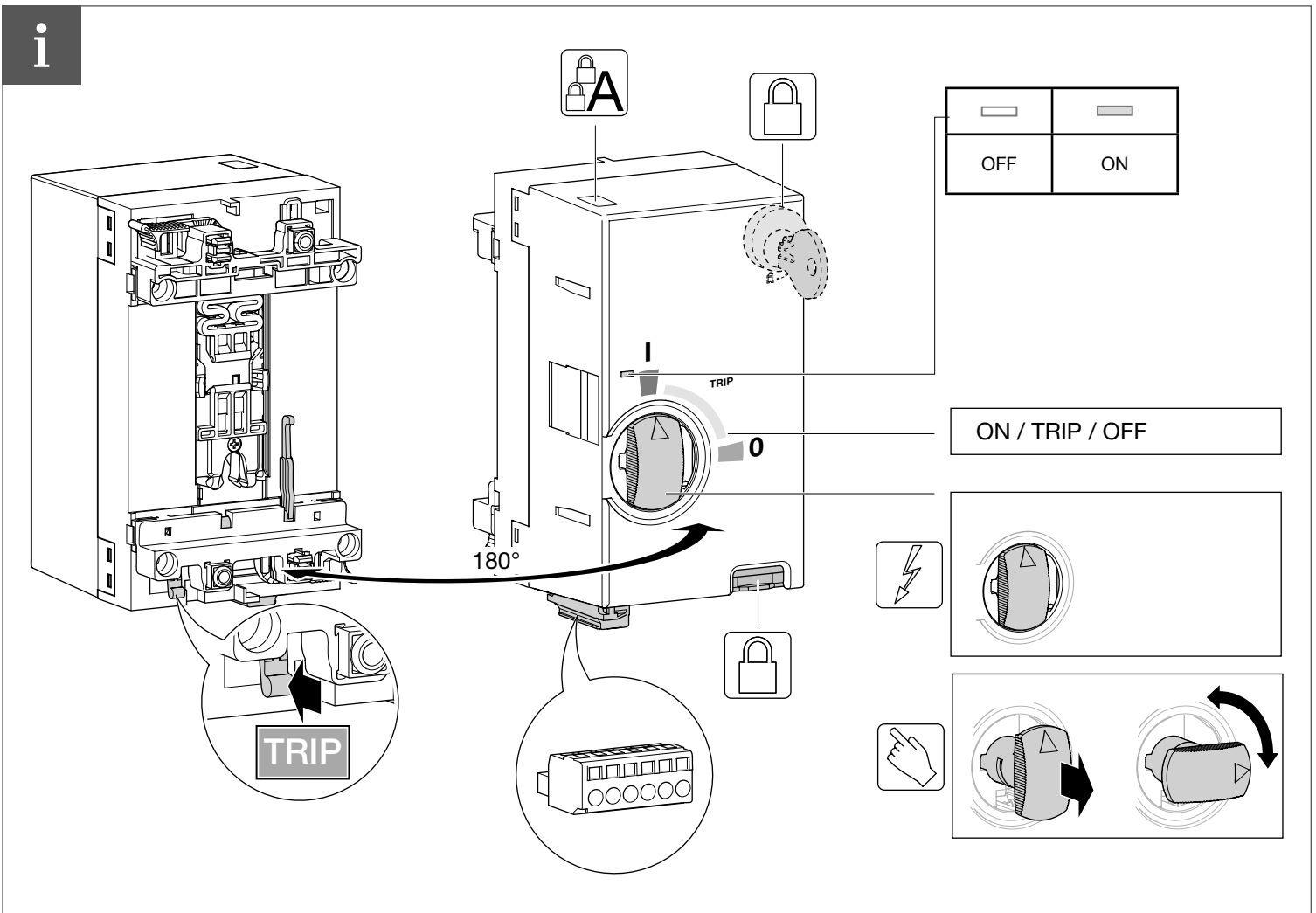
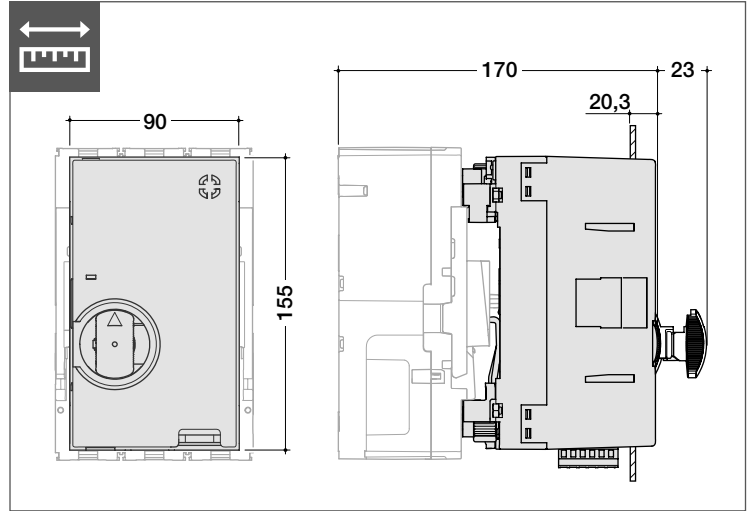
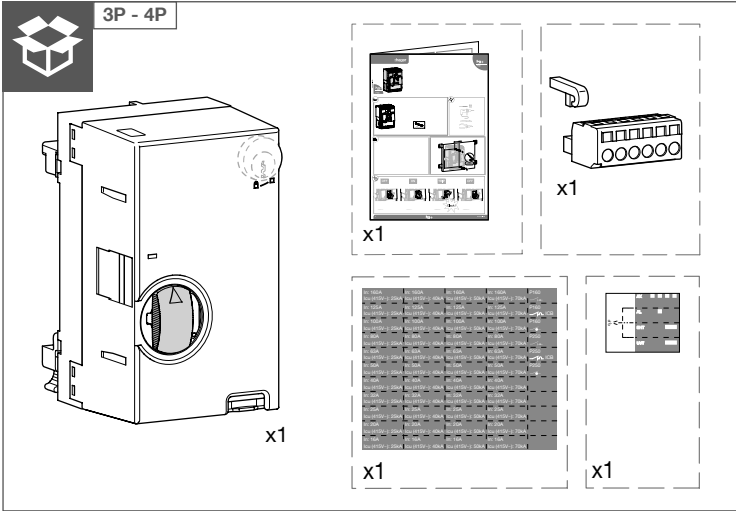
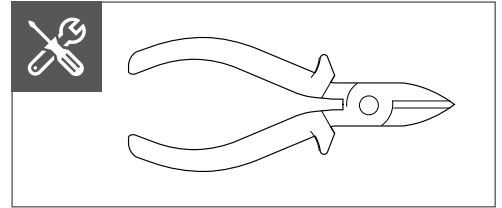
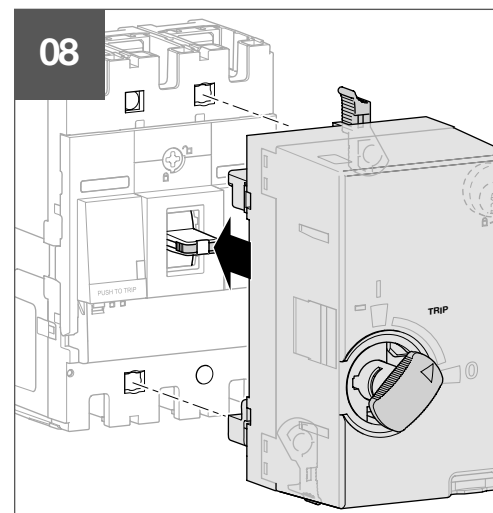
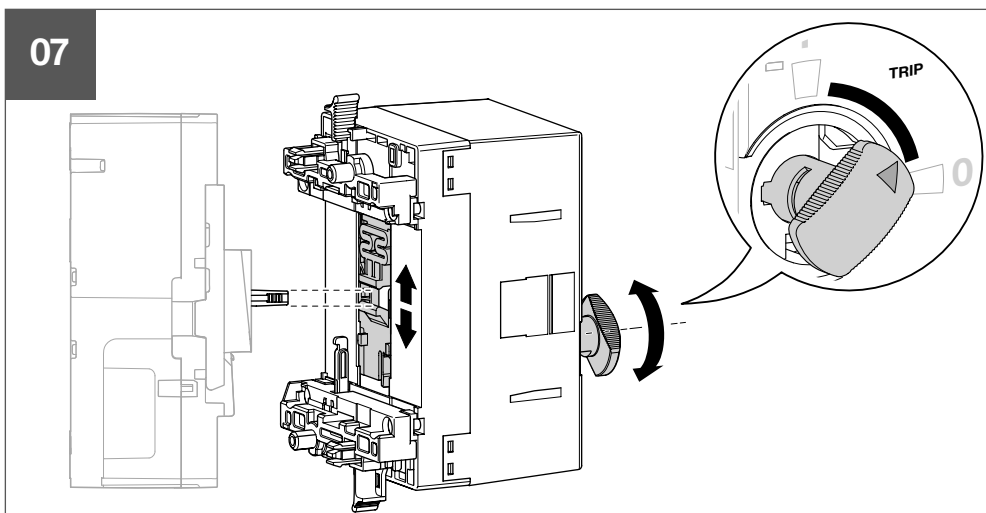
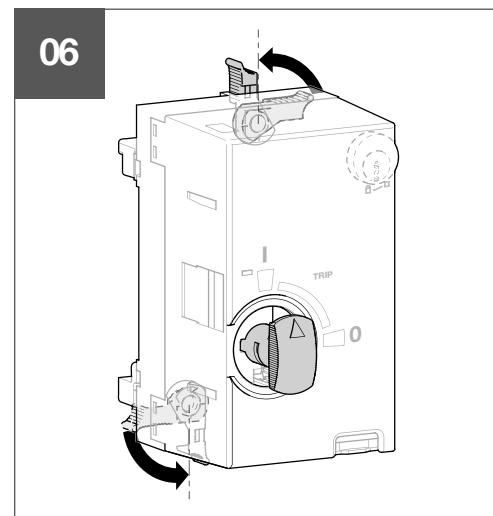
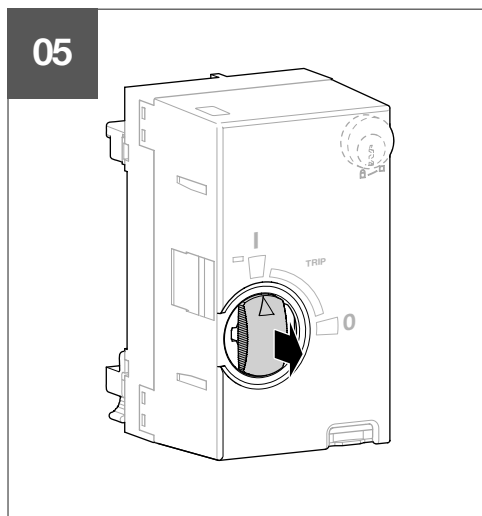
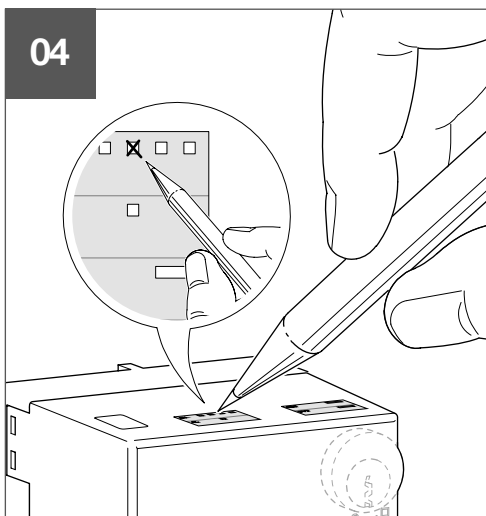
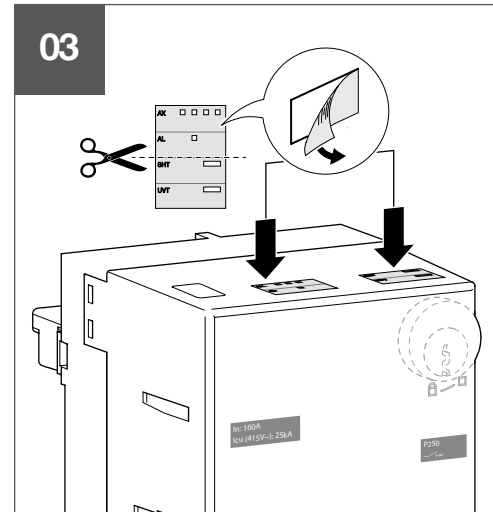
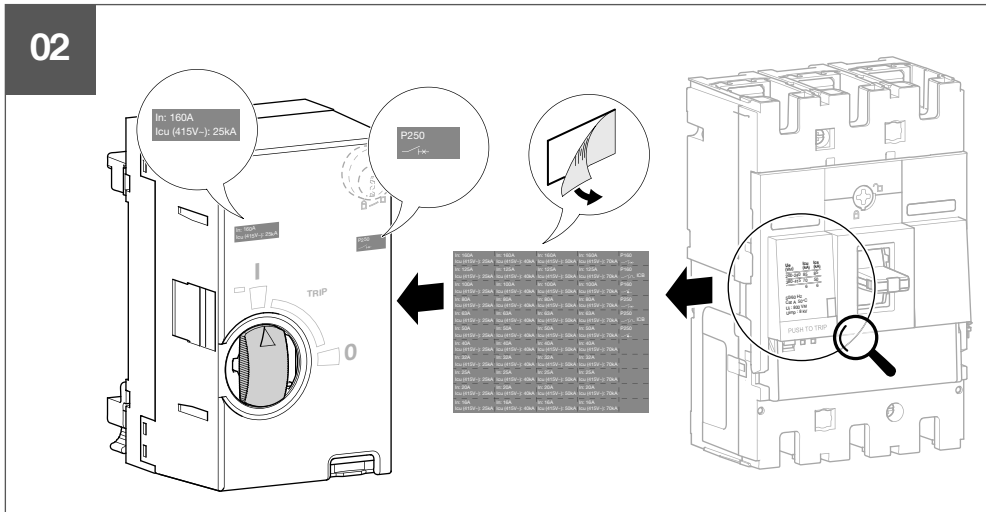
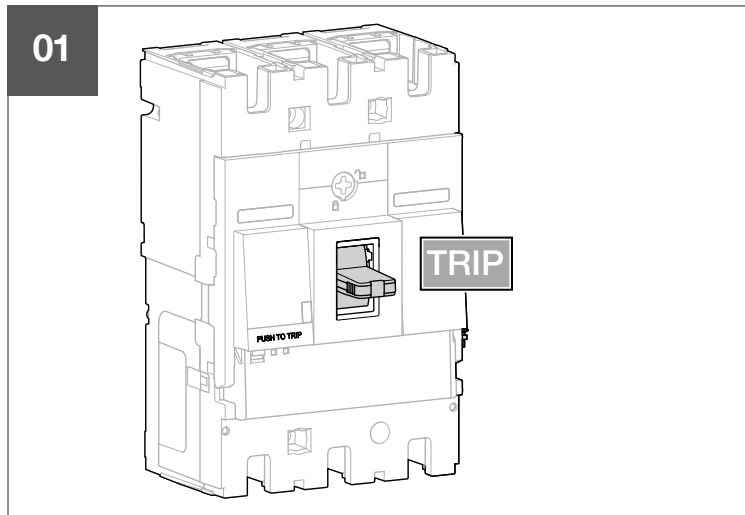
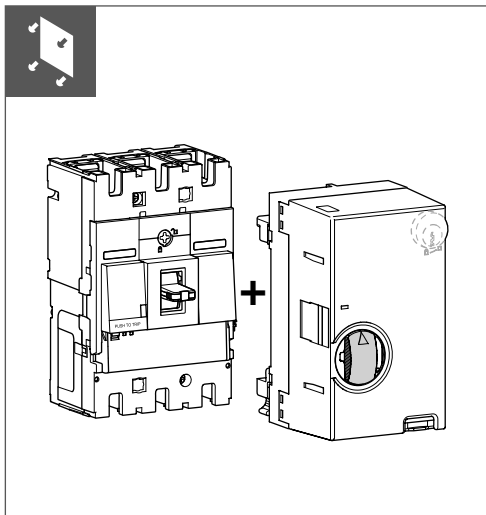
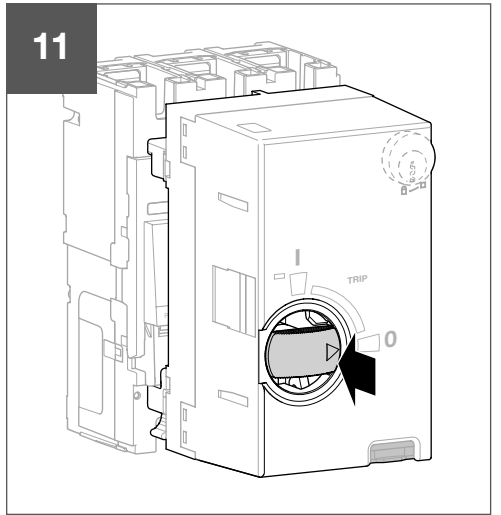
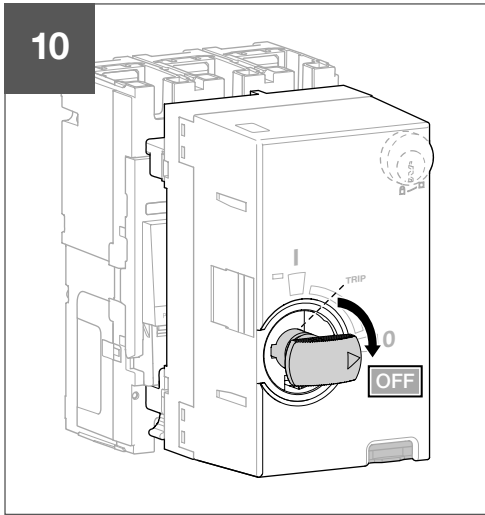
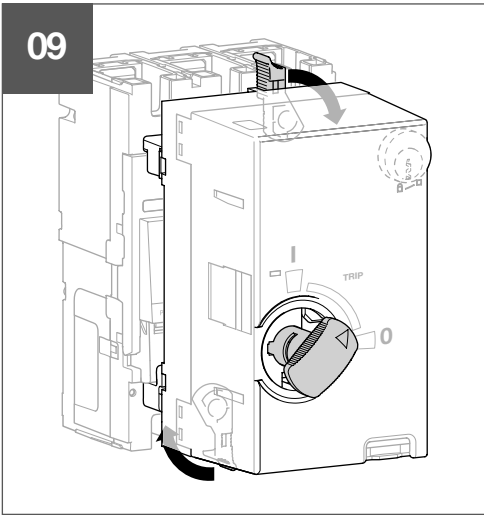


P250

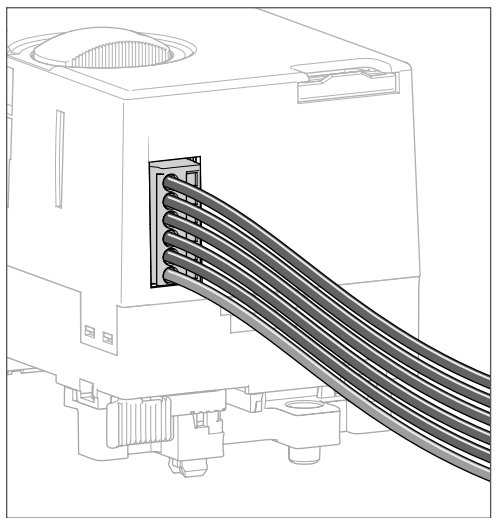
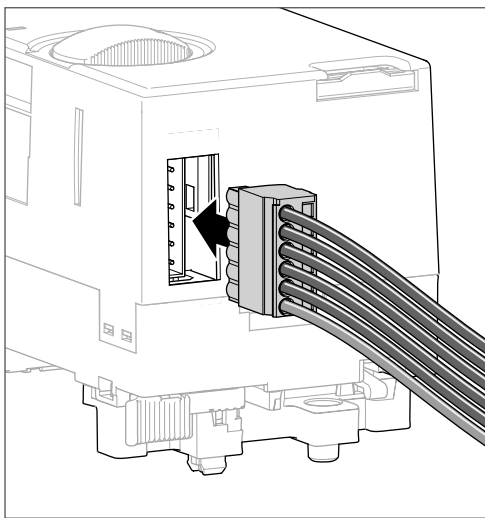
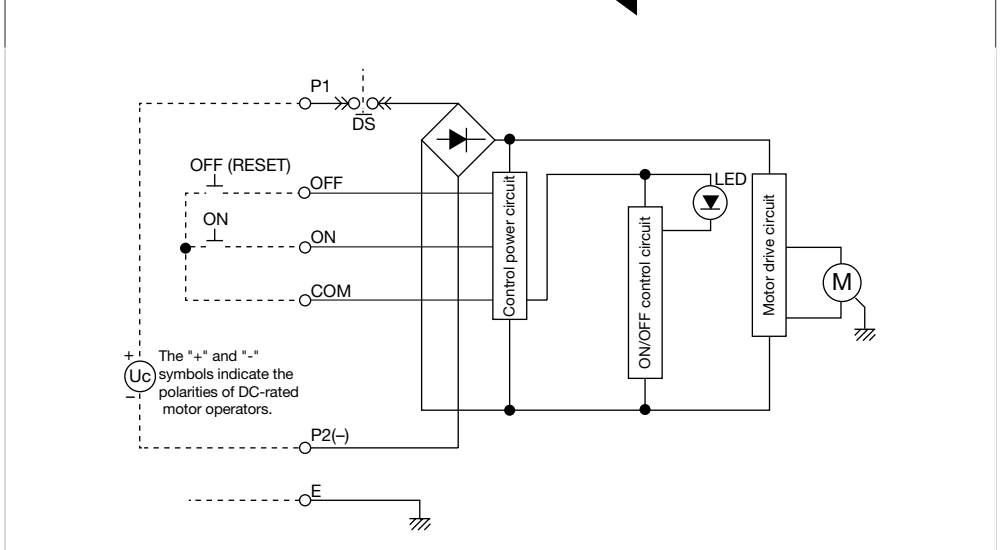
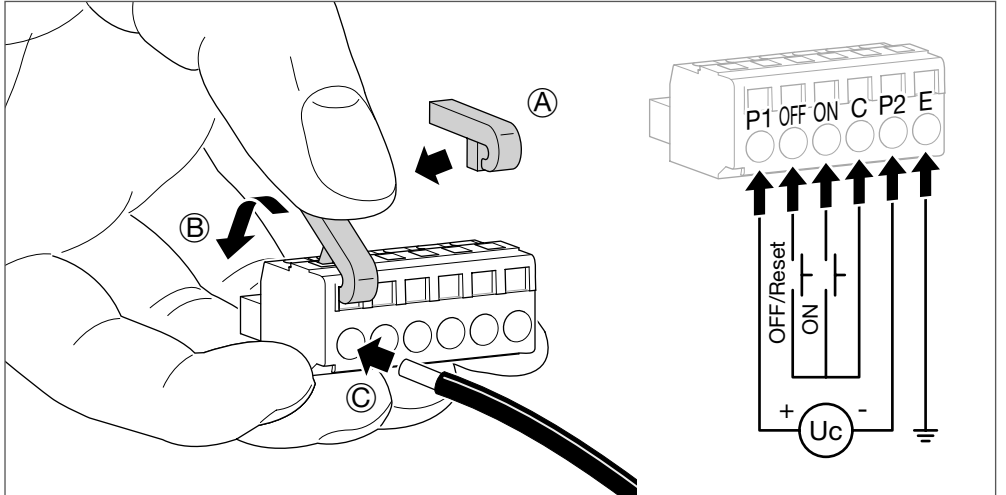








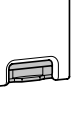
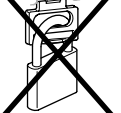


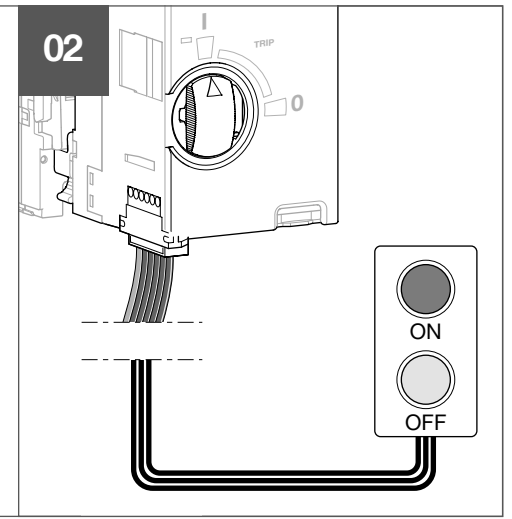
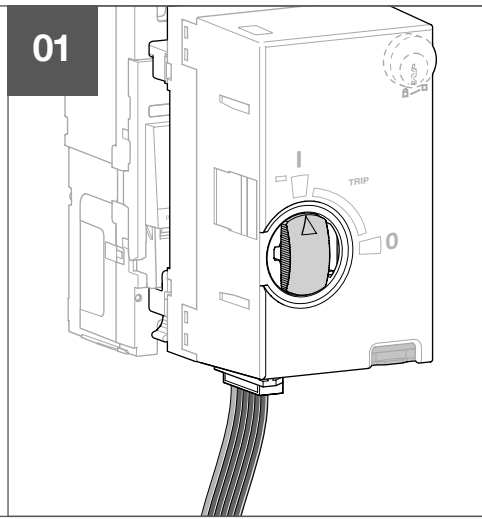
**01**


	min.	max.
	(mm <sup>2</sup> )	
	0,8	2




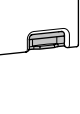



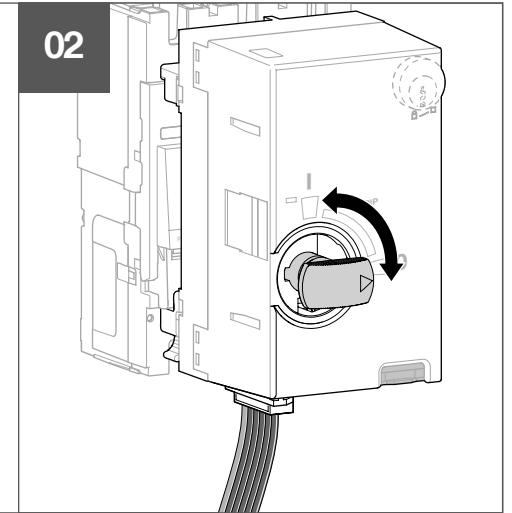
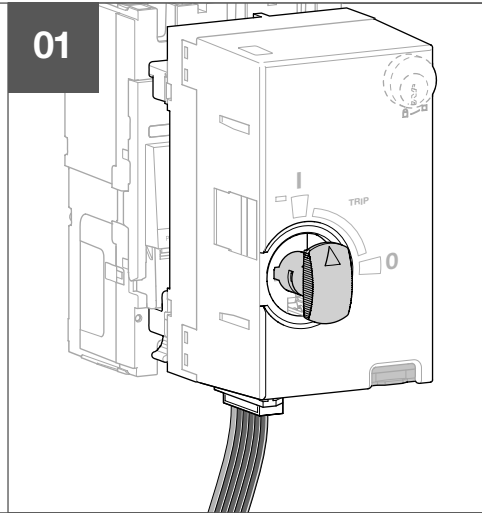
**T** 


①	 ON	✓	
②		✓	
③		✓	






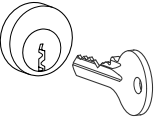
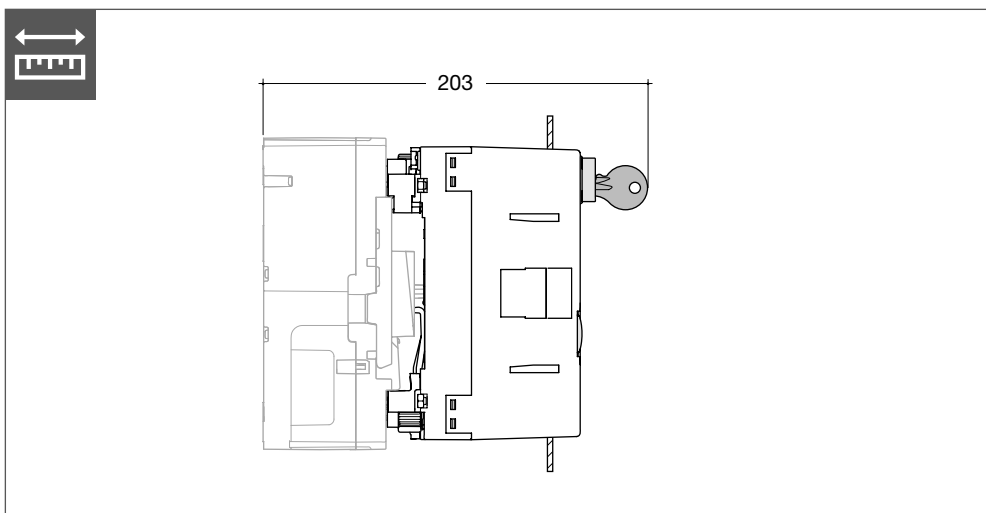
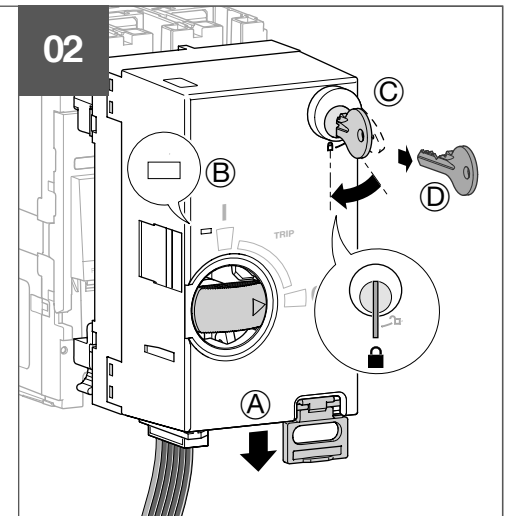
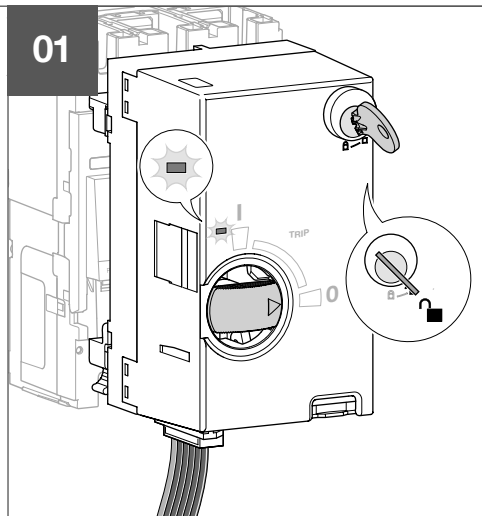
**T** 

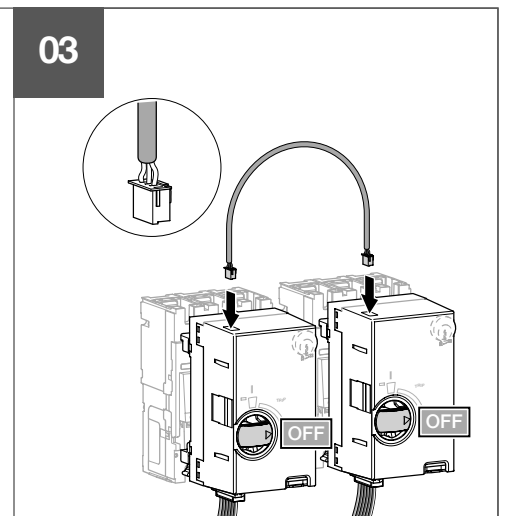
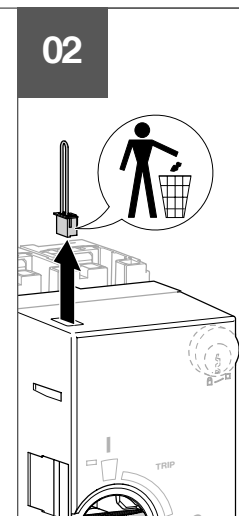
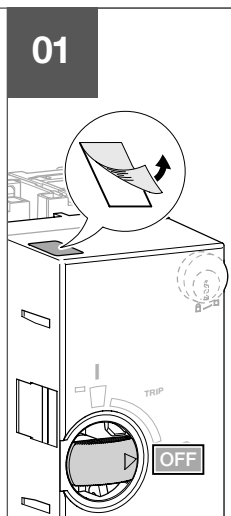
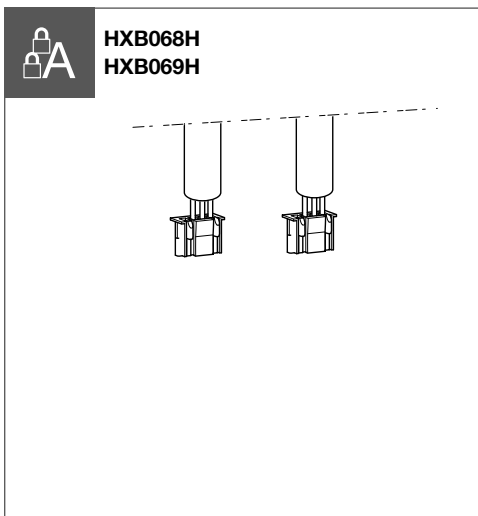
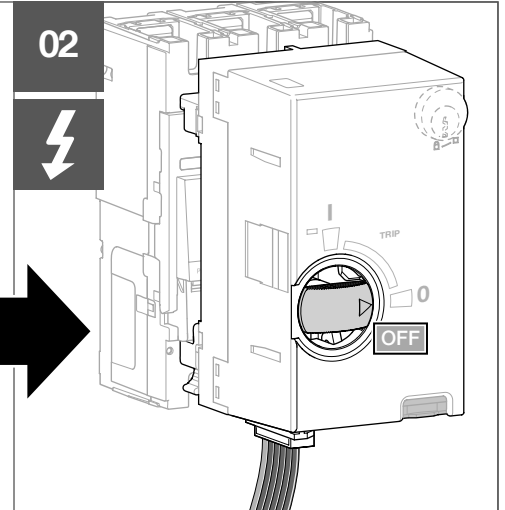
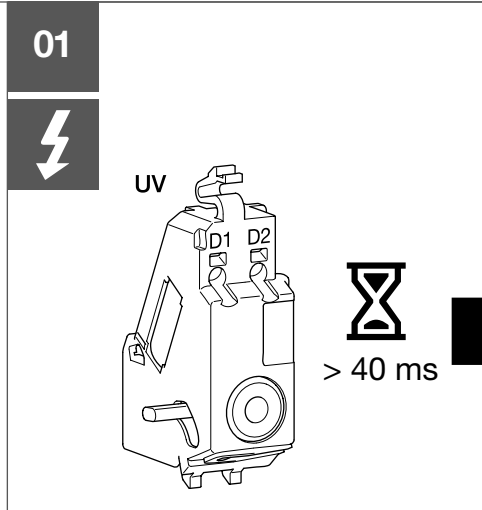
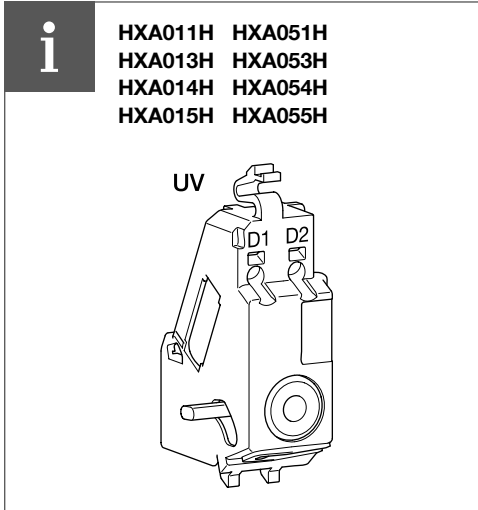
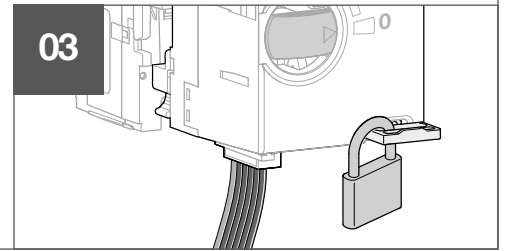
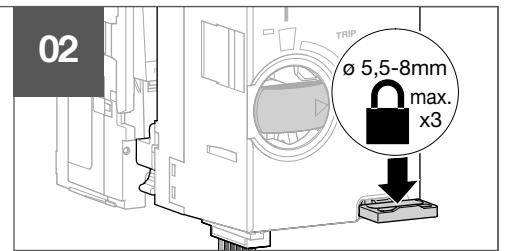
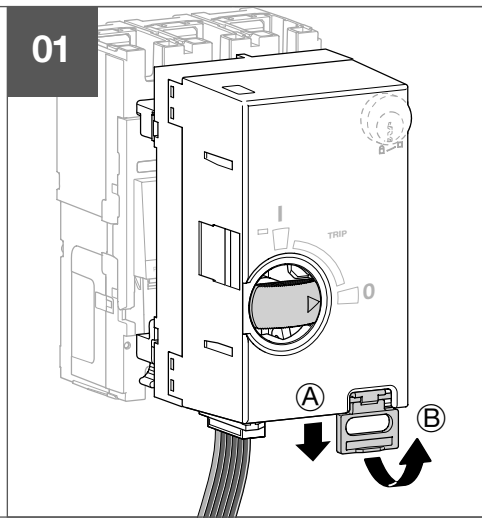
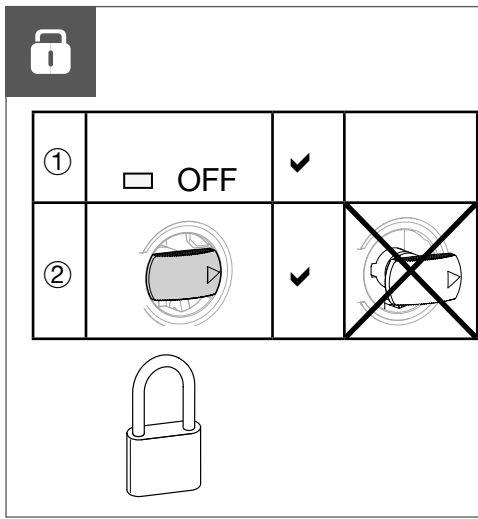
①	 OFF	✓	
②		✓	
③		✓	





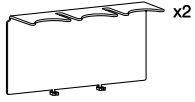
①	 OFF	✓	
②		✓	

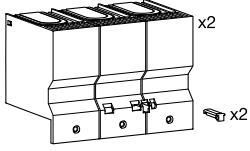




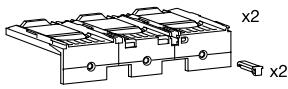
HYT050H (3P)  
HYT051H (4P)



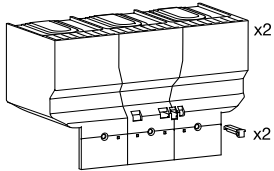
HYT021H (3P)  
HYT022H (4P)



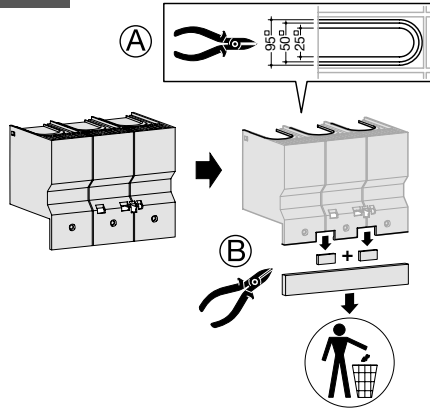
HYT025H (3P)  
HYT026H (4P)



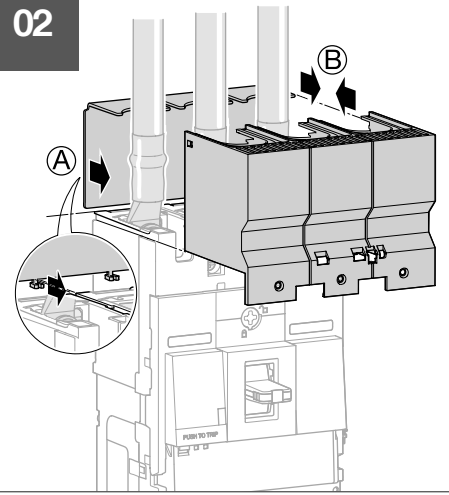
HYT023H (3P)  
HYT024H (4P)



01



02



03

