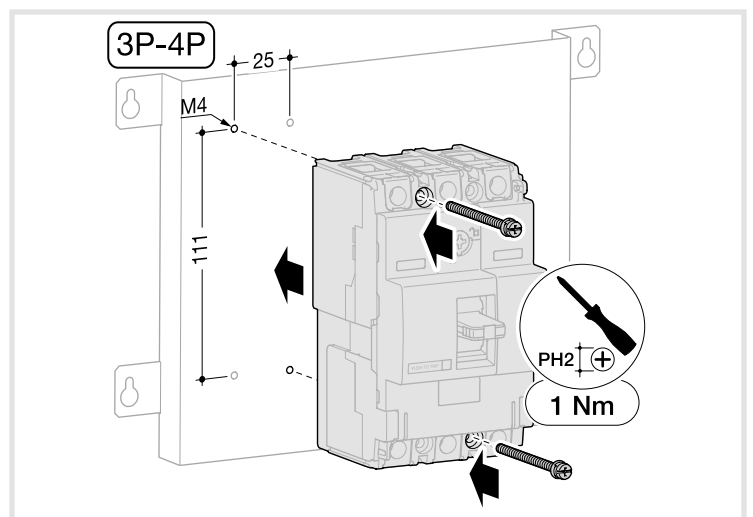
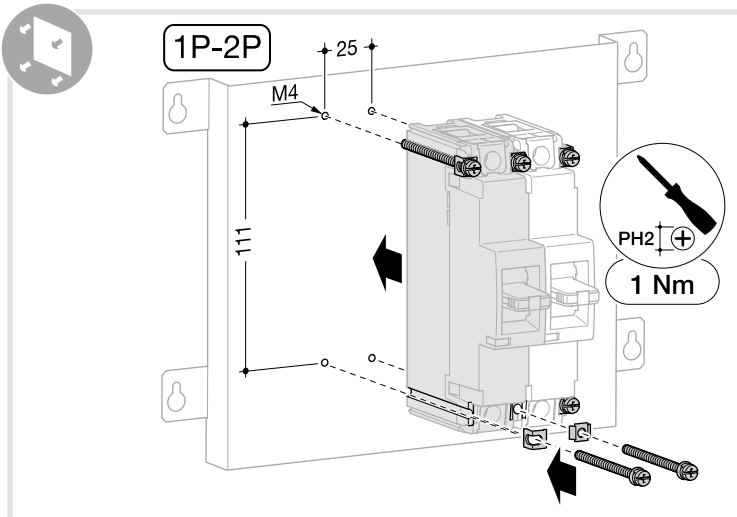
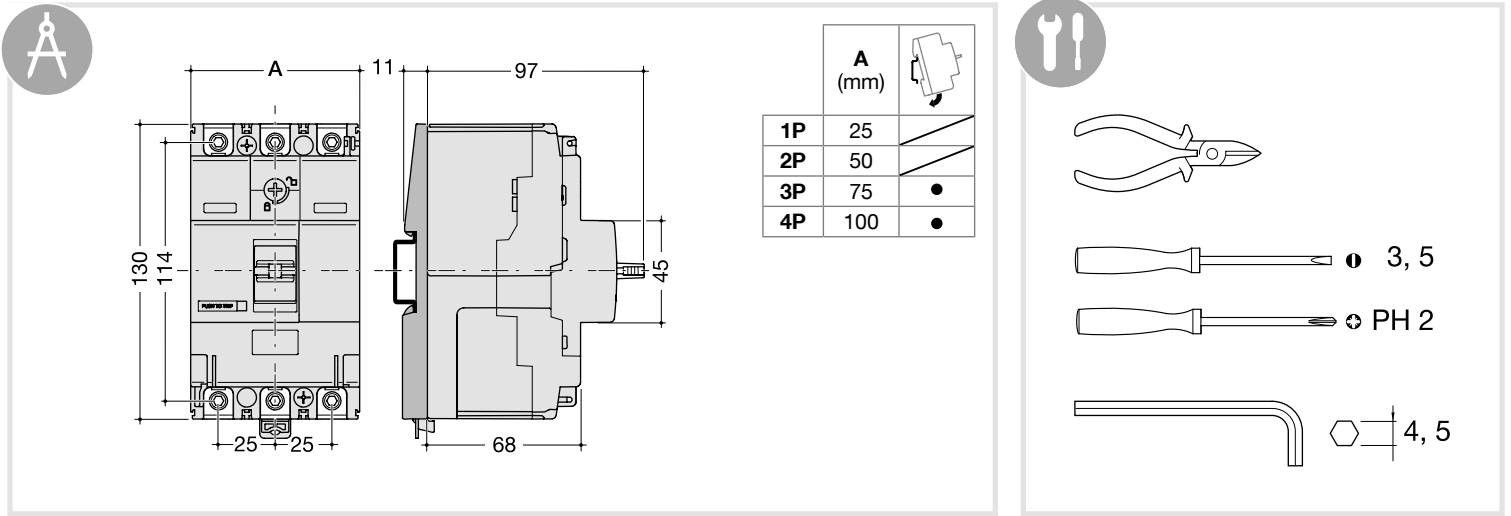
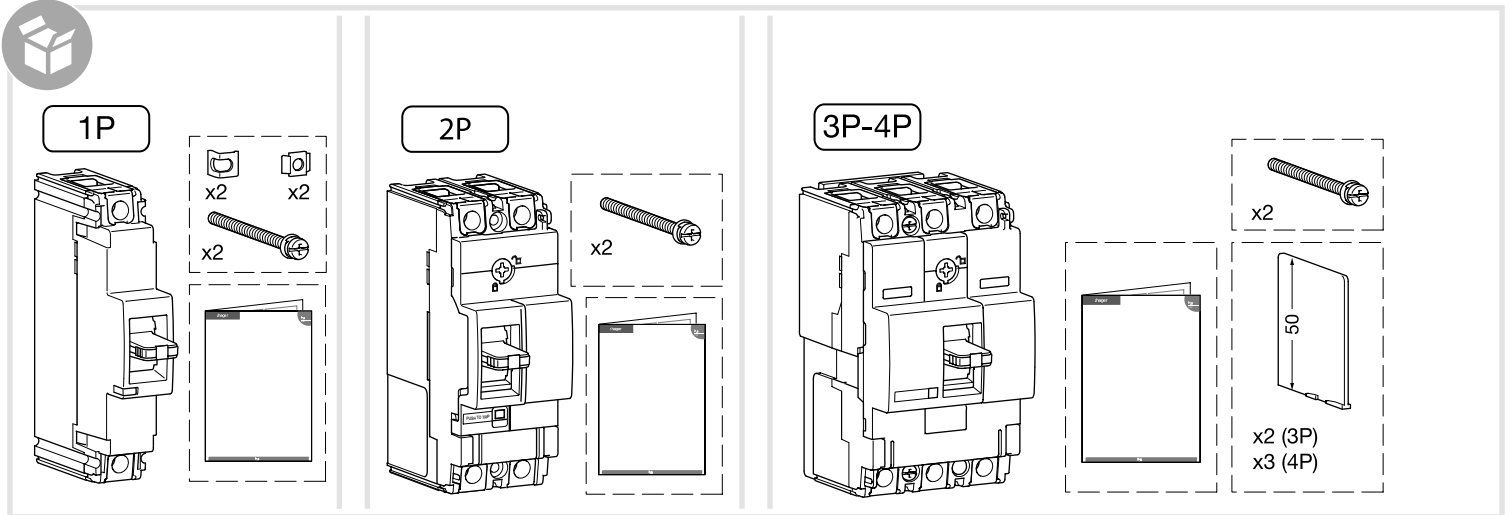


6LE001633Ab

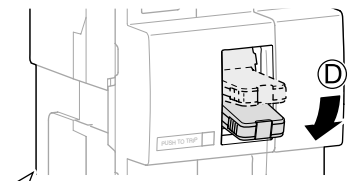
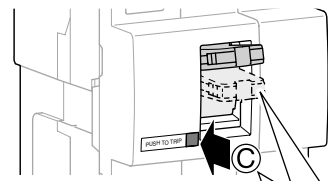
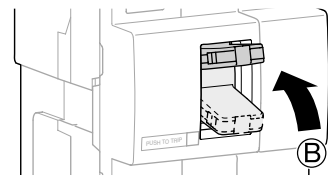
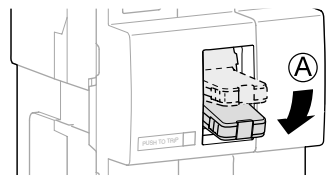
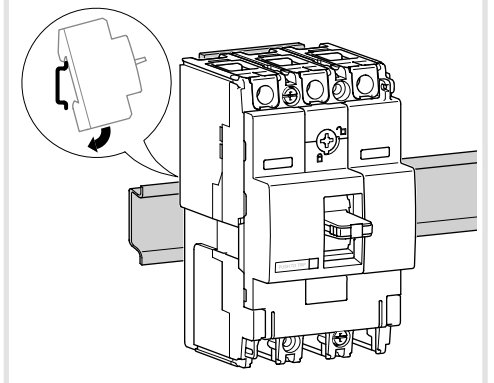
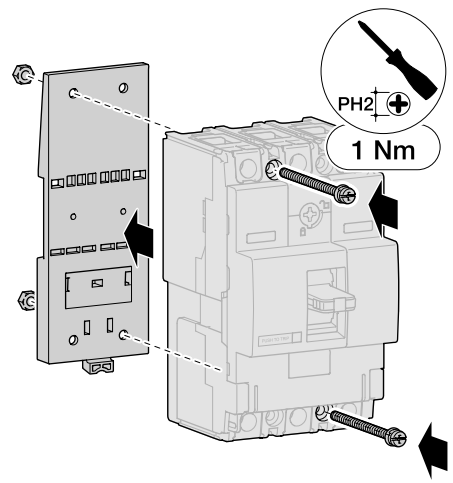
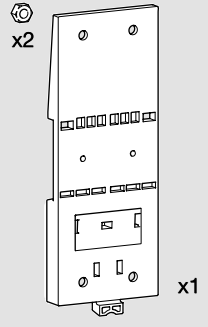
# h3

x160

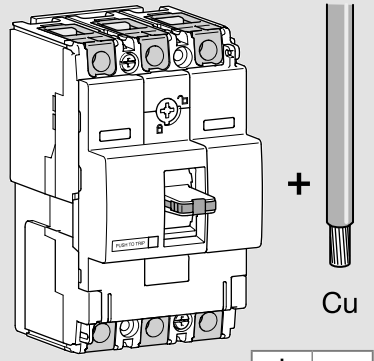
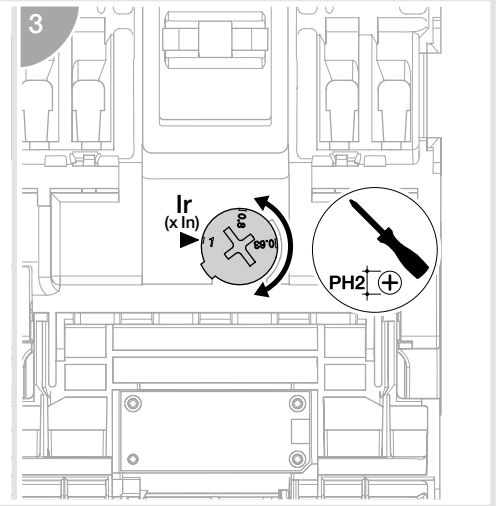
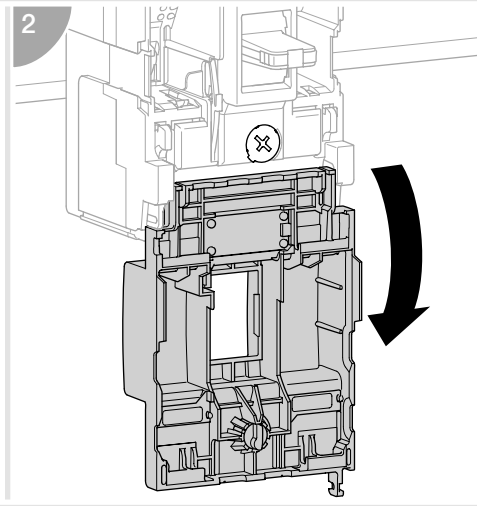
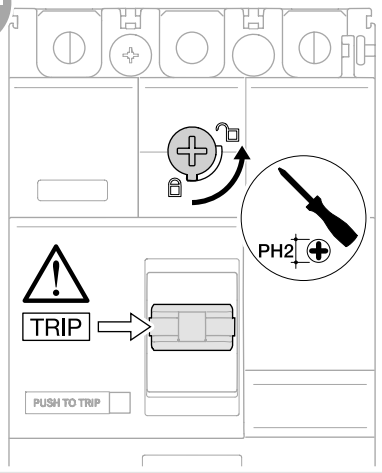




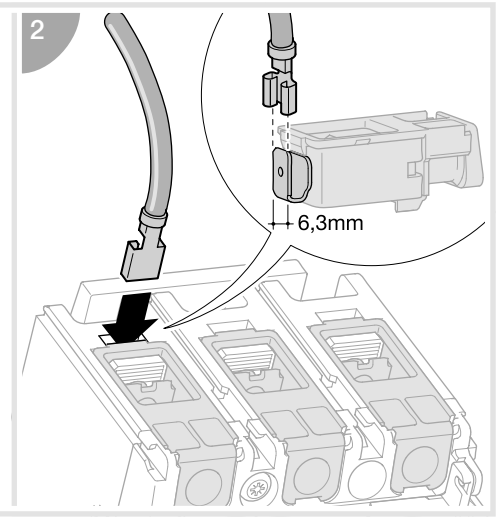
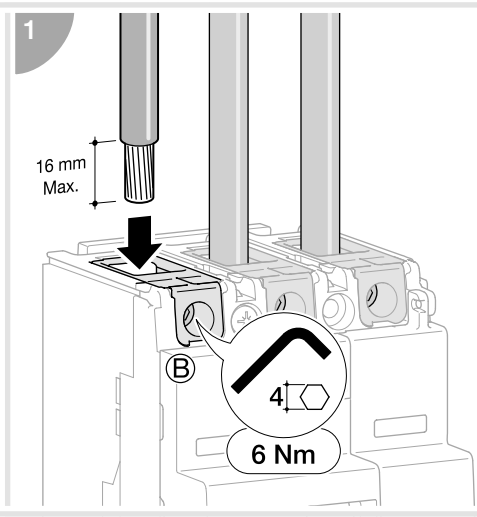
**HYA033H (3P - 4P)**



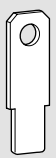
**Click!**



	min.	max.
	(mm <sup>2</sup> )	
	6	70
	6	95

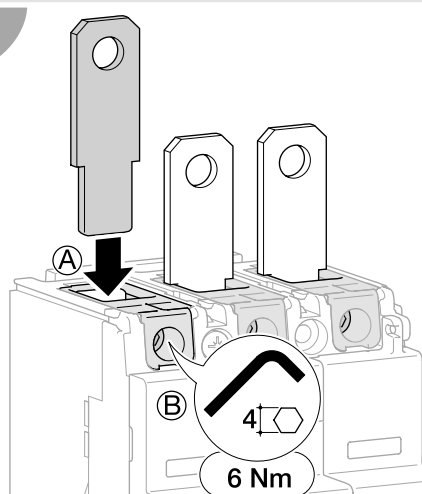


**0** **HYA013H**



x3 (3P)  
x4 (4P)

**1**



A

B

4

6 Nm

**2**

**3P**

+20

28

Ø 8,3

67


203

92

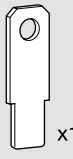
**4P**

25 25 25

**0** **HYA014H (3P)**




x2

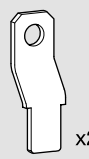


x1

**HYA015H (4P)**

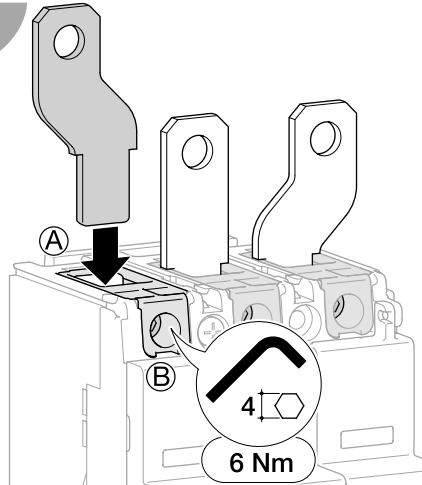


x2



x2

**1**



A

B

4

6 Nm

**2**

**3P**

+20

28

Ø 8,3

87

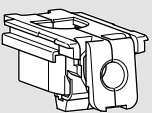
203

122

**4P**

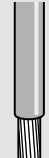
35 35 35

**0** **HYA005H (3P)**  
**HYA006H (4P)**



x3 (3P)  
x4 (4P)

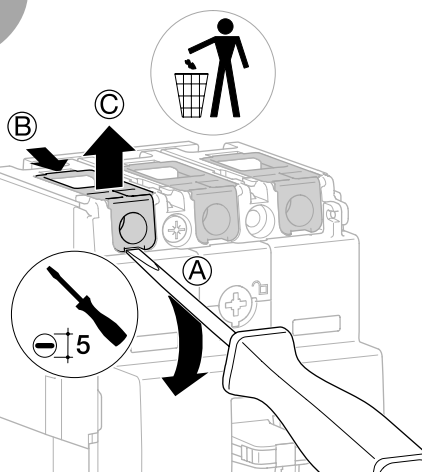
+



Al

	min.	max.
	(mm <sup>2</sup> )	
	35	70

**1**




B

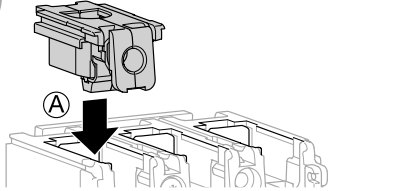
C

A

5



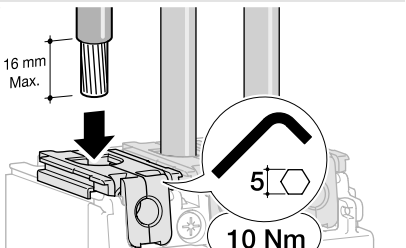
**2**



A

**3**

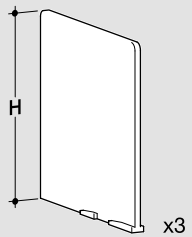
16 mm Max.



5

10 Nm

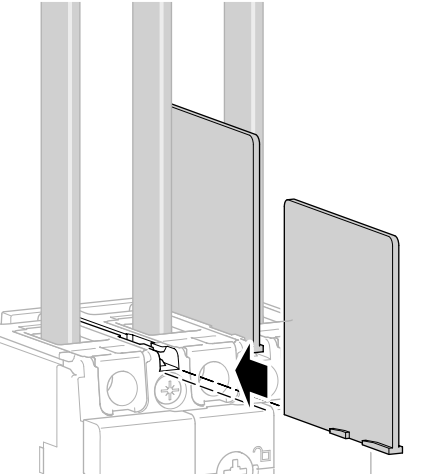
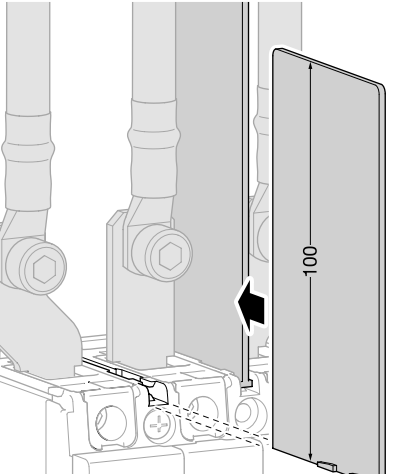
**1**



H

x3

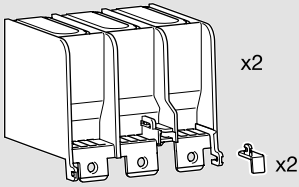
H (mm)	
50	100
3P/4P	HYA019H HYB019H

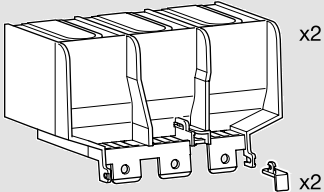
100



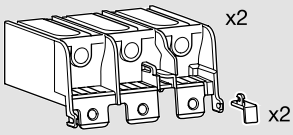
**HYA021H (3P)**  
**HYA022H (4P)**



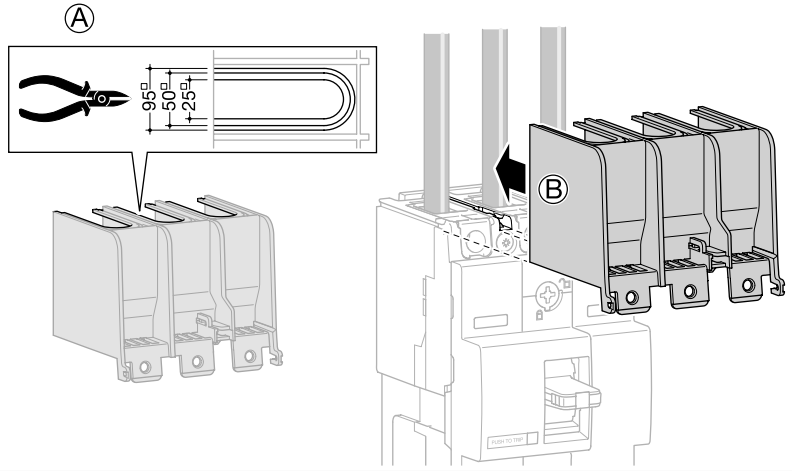
**HYA023H (3P)**  
**HYA024H (4P)**



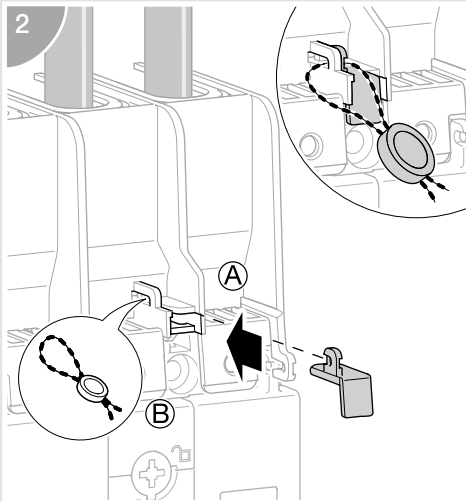
**HYA027H (3P)**  
**HYA028H (4P)**



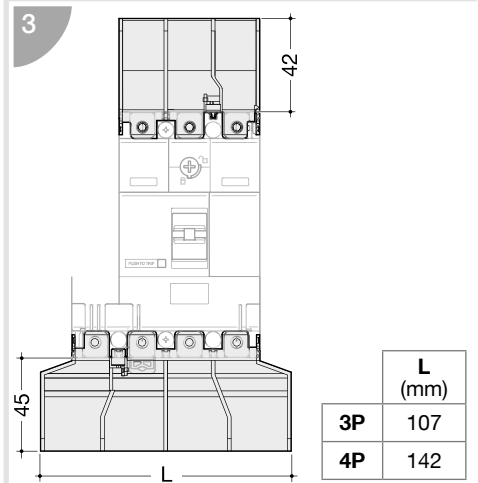
1



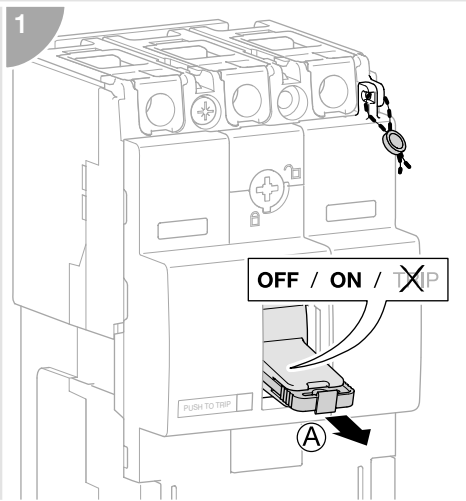
2



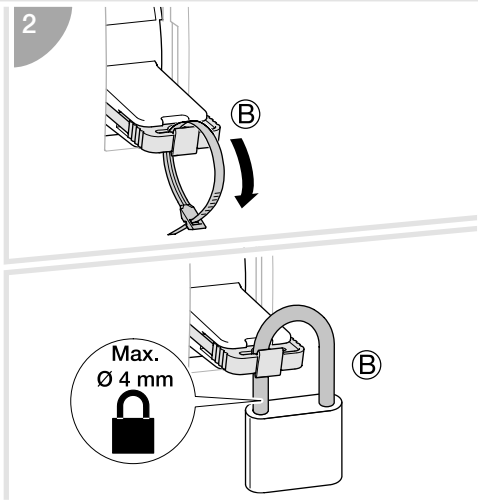
3



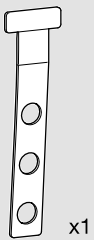
1



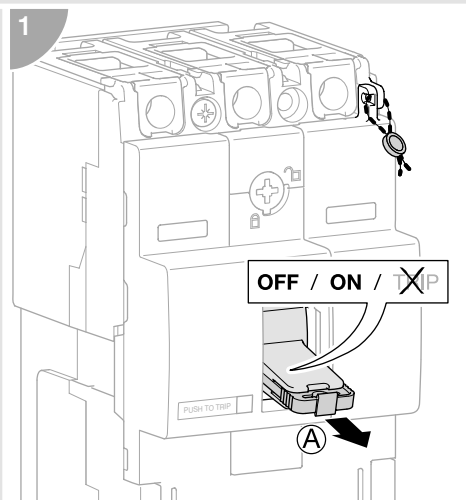
2



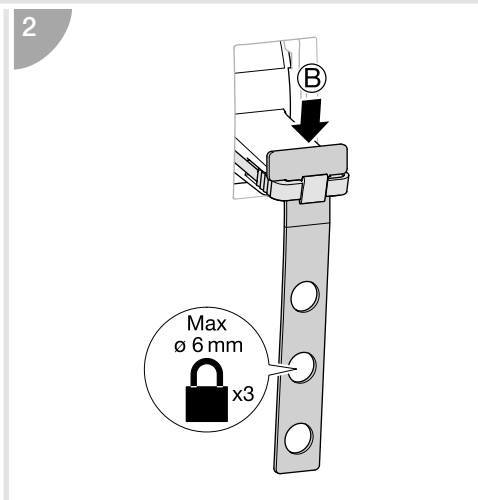
**HXA039H**



1

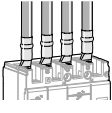
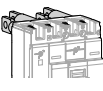
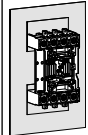


2

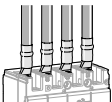
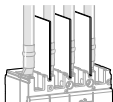
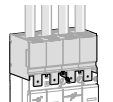




### Insulation accessories

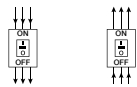
Insulation accessories may be required or even mandatory in some cases. This table gives the rules to be respected to ensure the insulation of the live parts around the h3 circuit breakers.

<b>Front connection</b> 	<b>Rear connection</b> 	<b>Plug-in or withdrawable on back plate</b> 
--	---	--




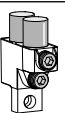
### For operating voltage ≤ 500 VAC

Accessories	No insulation accessory	Interphase barriers	Terminal covers	Terminal cover zero for rear connections	Terminal cover zero for MCCB
					

### Feeding direction



### Type of conductor

	Insulated bars or cables	✓	✓	✓	✓	-	⬆ for IP20
	Non insulated bars or ring lugs	✗	⬆	⬆ ⬆	⬆ for IP20 ⬆	⬆ for IP20	-
	Extension terminals	✗	⬆	⬆ ⬆	⬆ for IP20 ⬆	-	-
	Cables with external cable terminals	✗	⬆	⬆ ⬆	⬆ for IP20 ⬆	-	-

⬆ Mandatory on top    ✓ Possible    ✗ Not possible    ⬆ Mandatory on top and bottom  
 ⬆

