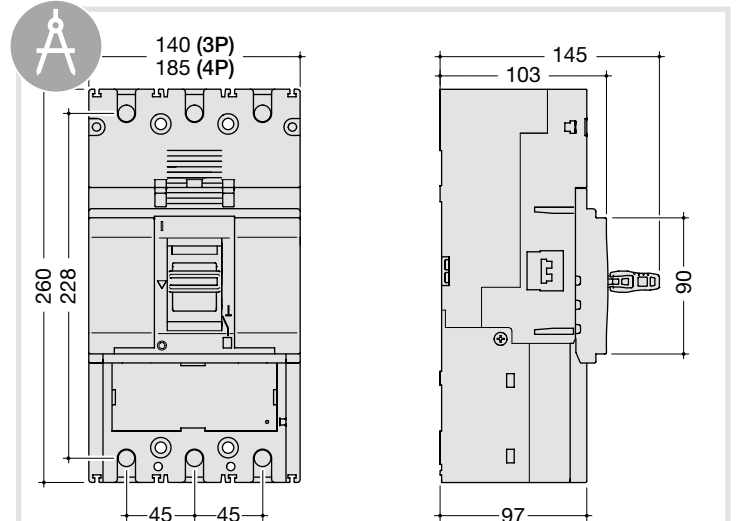
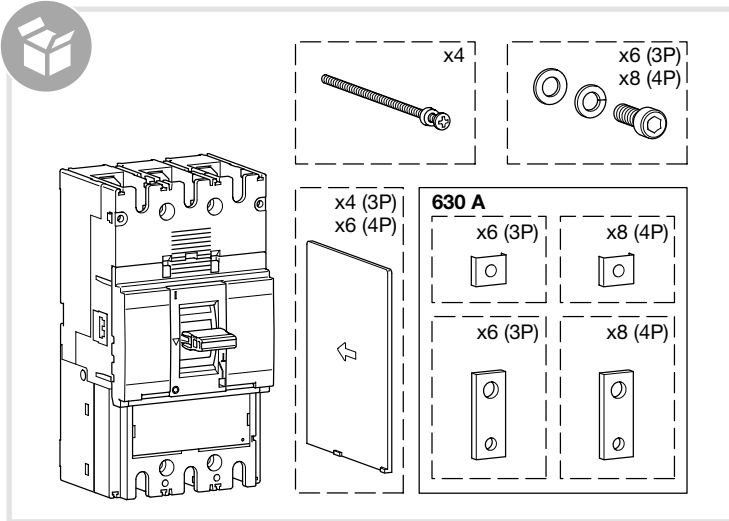
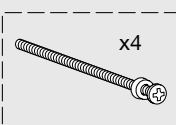
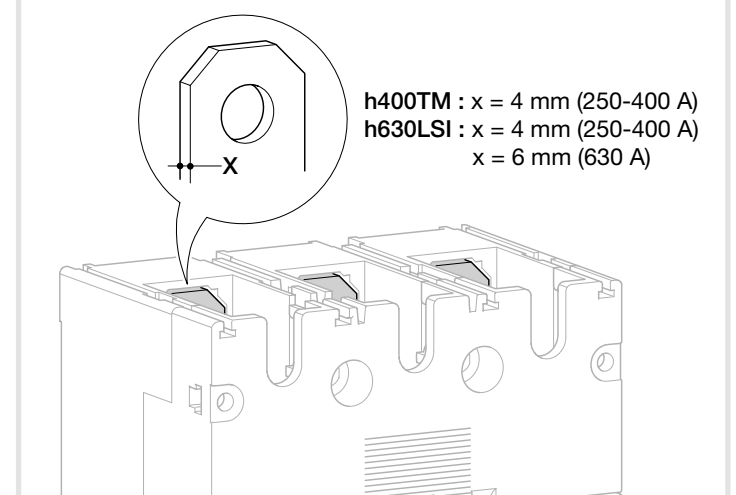


- (FR) Disjoncteurs boîtiers moulés 250 - 400 - 630 A
- (EN) Moulded case circuit breakers 250 - 400 - 630 A
- (DE) Leistungsschalter 250 - 400 - 630 A
- (IT) Int. scatola 250 - 400 - 630 A
- (ES) Interruptores automáticos 250 - 400 - 630 A
- (NL) Vermogens automaat 250 - 400 - 630 A
- (PT) Disjuntores gerais 250 - 400 - 630 A
- (NO) Effektbryter 250 - 400 - 630 A
- (EL) Αυτόματοι διακόπτες ισχύος 250 - 400 - 630 A
- (PL) Wyłączniki kompaktowe 250 - 400 - 630 A
- (RU) Автоматические выключатели в литых корпусах 250 - 400 - 630 A
- (ZH) 塑壳断路器 250 - 400 - 630 A
- (AR) قاطع تغطية مقولبة 250 - 400 - 630 A

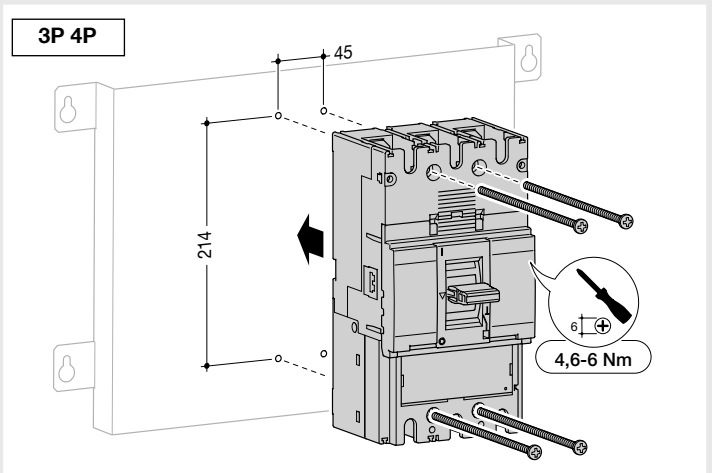
h400, h630



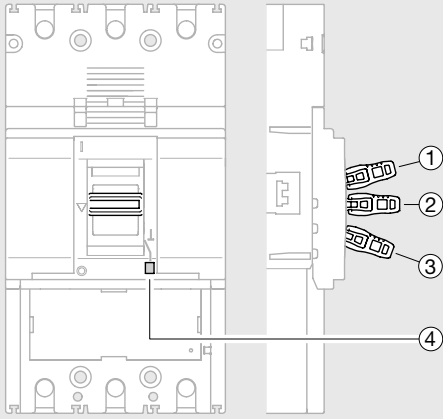
| | | 220/240 V AC | 380/415 V AC | 660/690 V AC |
|--------------------|----------|-----------------|-----------------|-----------------|
| h400 / h630 HND | Icu (kA) | 85 | 50 | 20 |
| | Ics (kA) | 85 | 50 | 15 |
| h630 LSI HED | Icu (kA) | 100 | 70 | 20 |
| | Ics (kA) | 85 | 50 | 15 |
| h630 HCD | Icu (kA) | - | 9 | - |
| | Ics (kA) | - | 5 (0,3s) | - |
| h400 TM HKD | Icu (kA) | 100 | 70 | 20 |
| | Ics (kA) | 85 | 50 | 15 |
| h400 TM HHD | Icu (kA) | 35 | 25 | - |
| | Ics (kA) | 35 | 25 | - |



Montage du disjoncteur : plan de perçage de la platine
 Circuit breaker mounting bolt drilling plan
 Montage des Leistungsschalters : Bohrplan der Montageplatte
 Fissaggio interruttore : piano di foratura della piastra
 Fijación del interruptor automático
 Montage van de automaat : tekening van de boorgaten in de montageplaat
 Montagem do disjuntor : plano de perfuração da platina
 Montering av effektbryter : bormal
 Διάγραμμα τοποθέτησης του διακόπτη
 Wyłączniki kompaktowe h400/600 A
 Чертёж расположения отверстия под установочный болт автоматического выключателя
 断路器安装孔方案
 تركيب القاطع : بيان الثقب اللوحة



3P 4P



Indicateur de position de la manette :

- ① rouge = ON, ② noir = Déclenché,
- ③ vert = OFF (Reset).
- ④ Bouton de déclenchement

Handle position indicator :

- ① red = ON, ② black = Trip,
- ③ green = OFF (Reset).
- ④ Button, Push-to-Trip

Position des Schalthebels :

- ① rot = EIN, ② schwarz = ausgelöst,
- ③ grün = AUS (Reset).
- ④ Prüftaste, zum auslösen drücken

Indicatore di posizione della leva di manovra :

- ① rosso = ON,
- ② nero = Scanciato,
- ③ verde = OFF (Reset).
- ④ Pulsante di sgancio

Visualización de la posición :

- ① rojo = ON,
- ② negro = Disparo,
- ③ verde = OFF (Reset).
- ④ Pulsador de disparo

Hendelstand-indicator :

- ① rood = ON,
- ② zwart = Uitgeschakeld,
- ③ groen = OFF (Reset).
- ④ Uitschakelknop

Indicador de posição do punho :

- ① encarnado = ON,
- ② preto = Disparo,
- ③ verde = OFF (Reset).
- ④ Botão de disparo

Bryterknappens posisjon indikerer :

- ① rød = PÅ,
- ② sort = Utløst,
- ③ grønn = AV (Reset).
- ④ Utløserknapp

Οπτική ένδειξη της κατάστασης του διακόπτη :

- ① κόκκινο = ON,
- ② σκούρο = πτώση διακόπτη ισχύος,
- ③ πράσινο = OFF (Reset).
- ④ Πλήκτρο διακοπής

Позиция дзвигни:

- ① czerwony = ON
- ② czarny = Trip
- ③ zielony = OFF (Reset)
- ④ Przycisk - Wciśnij aby wyzwolić

Индикатор положения раб. органа:

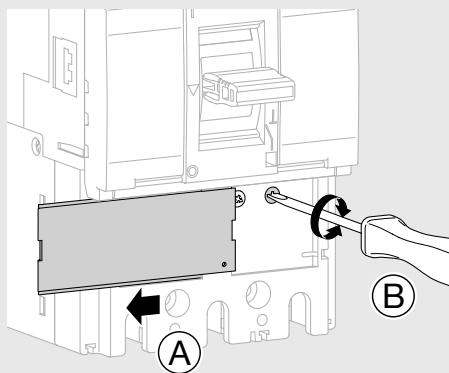
- ① красный = Вкл,
- ② черный = расцеплен
- ③ зеленый = Вкл(Готов)
- ④ Кнопка, Нажать для расцепления

手柄位置指示:

- ① 紅 = ON (釋能),
- ② 黑色 = trip (儲能)
- ③ 綠 = OFF/Reset
- ④ 按鈕, 按壓脫扣

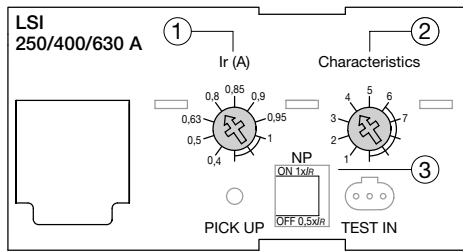
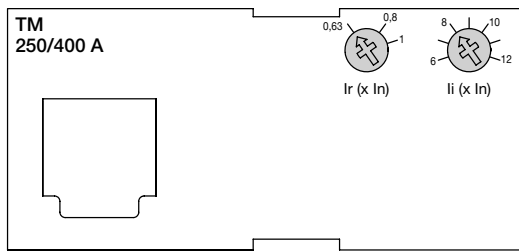
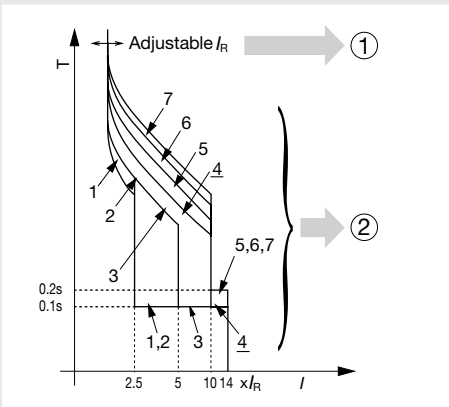
مشير الوضعية وحدة التحكم

- ① احمر = تشغيل
- ② اسود = انقطاع
- ③ اخضر = إيقاف
- ④ زر الانطلاق



Réglages
Trip unit settings
Einsteller
Regolazioni
Regulaciones
Instellingen
Regulações

Innstillinger
Ρυθμίσεις
Nastawa wyzwolenia
Уставки блока
расцепителя
脱扣单元设定
تعديلات

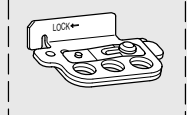


③ Protection du neutre
Neutral protection
Einsteller für
Neutralleiterschutz
Protezione del
neutro
Protección de
neutro
Beveiliging van de
nulleider

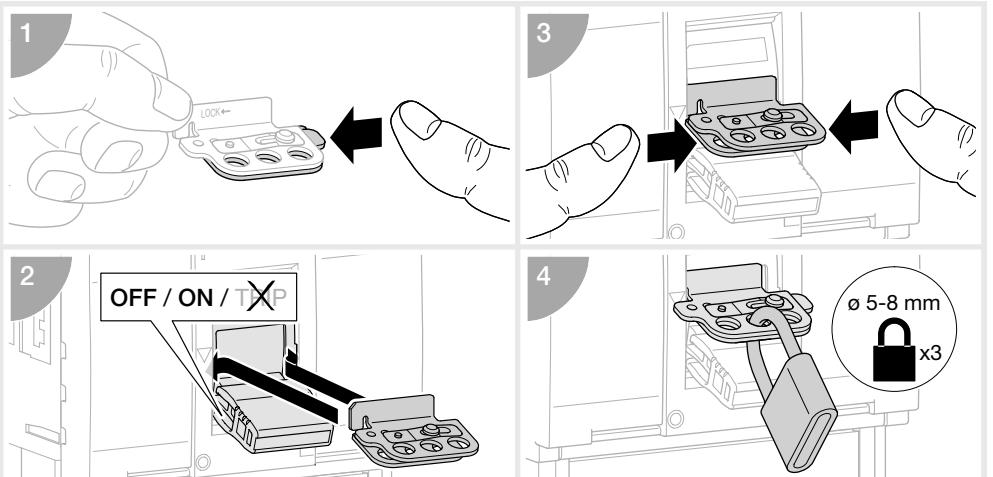
Proteção do neutro
Vern i nulleder
Προστασία ουδετέρου
Ochrona bieguna
neutralnego
Уставки блока
расцепителя
中性极保护
حماية الطبيعي

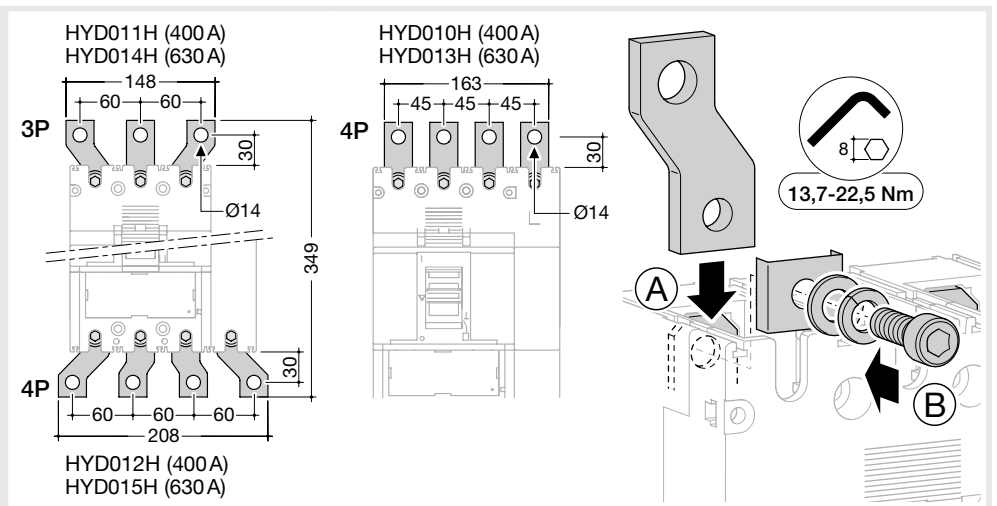
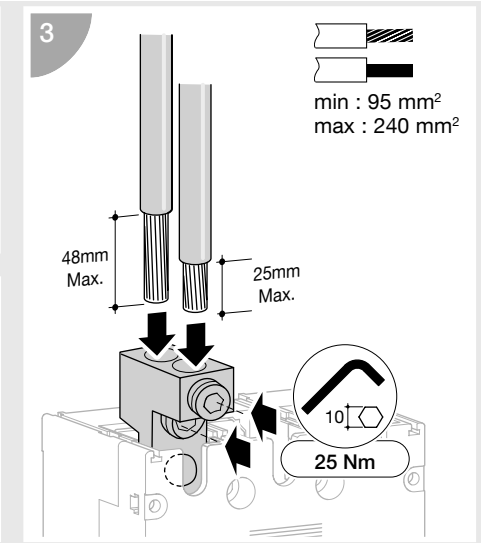
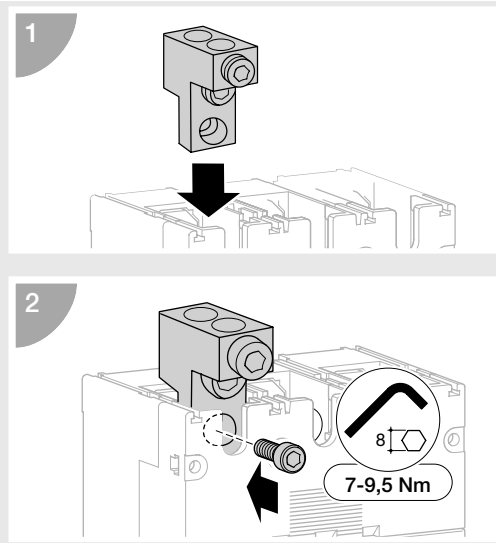
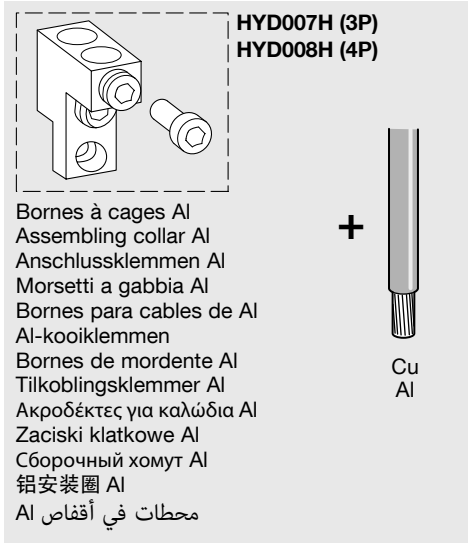
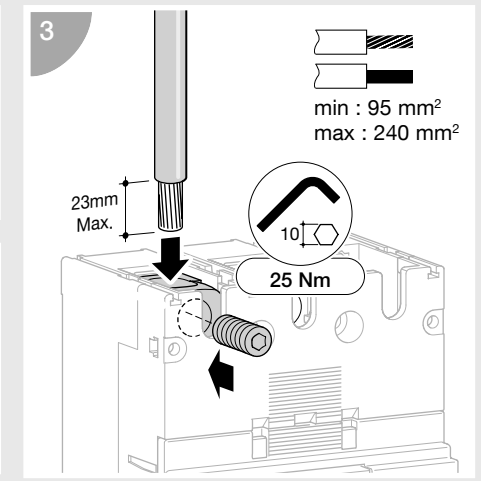
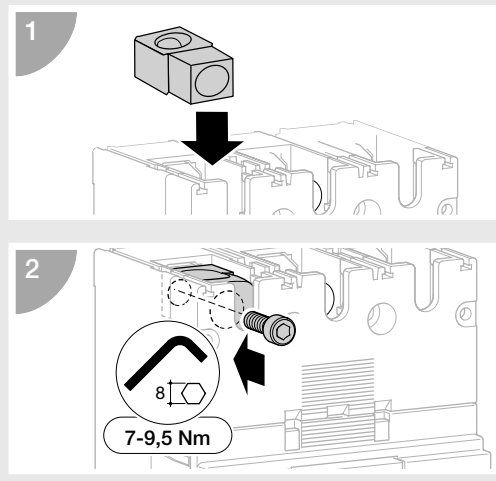
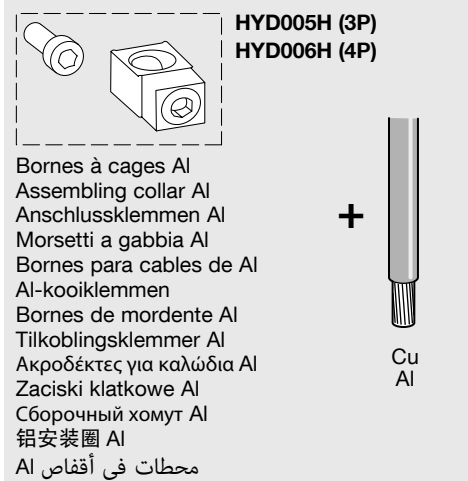
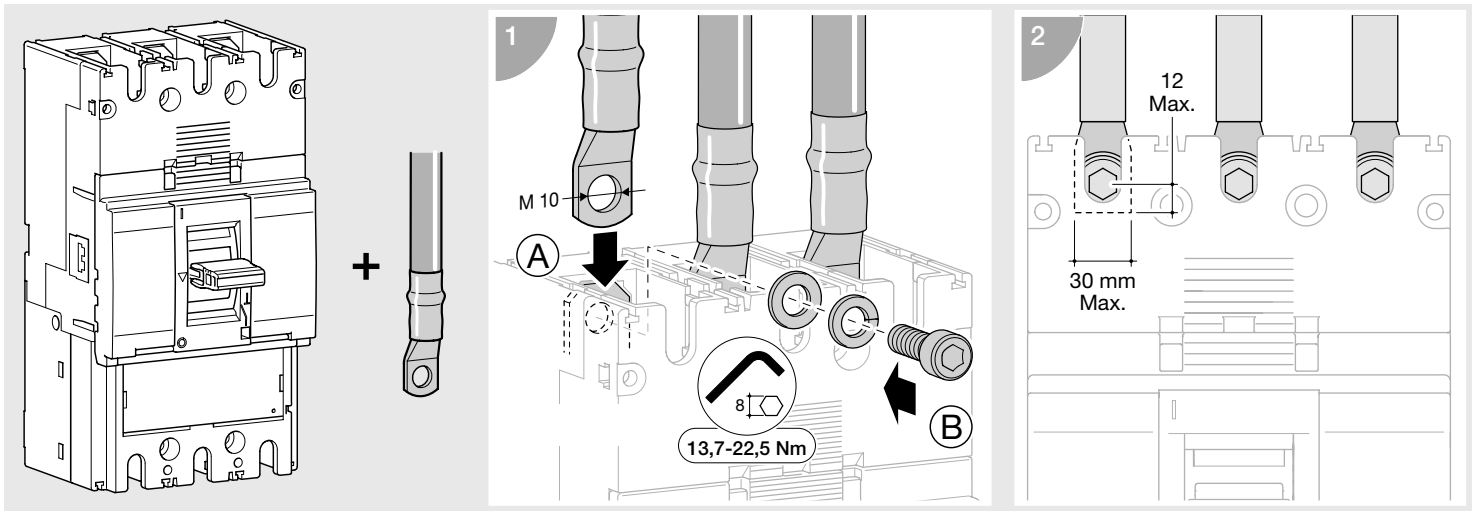
| LSI | In A | | | | | | | | | | |
|-----------|-----------------|-----------|------------------|----------|-----------|---------------------|---------------|------------------|----------|------|---------------------|
| | 250 A / 400 A | | | | | 630 A | | | | | |
| | Long Time Delay | | Short Time Delay | | Inst | Long Time Delay | | Short Time Delay | | Inst | |
| Ir (x In) | tr (s) | Isd (xIr) | tsd (s) | li (xIr) | Ir (x In) | tr (s) | Isd (xIr) | tsd (s) | li (xIr) | | |
| ① | 0,4 | ok | | | | ok | | | | | |
| | 0,5 | ok | | | | ok | | | | | |
| | 0,63 | ok | | | | ok | | | | | |
| | 0,8 | ok | | | | ok | | | | | |
| | 0,85 | / | | | | ok | | | | | |
| | 0,9 | ok | | | | ok | | | | | |
| | 0,95 | ok | | | | ok | | | | | |
| | 1 | ok | | | | ok | | | | | |
| ② | 1 | | 11 s at 2 xIr | 2,5 | 0,1 | 14 (Max 13 x In) | | 11 s at 2 xIr | 2,5 | 0,1 | 14 (Max 10 x In) |
| | 2 | | 21 s at 2 xIr | 5 | | | | 21 s at 2 xIr | 5 | | |
| | 3 | | | | 10 | 0,2 | | | | | |
| | 4 | | 5 s at 6 xIr | | | | | 5 s at 6 xIr | | | |
| | 5 | | 10 s at 6 xIr | | | | 10 s at 6 xIr | | | | |
| | 6 | | 19 s at 6 xIr | | | | 16 s at 6 xIr | | | | |
| | 7 | | 29 s at 6 xIr | | | | / | | / | | / |

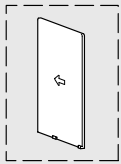
HXD039H



Kit de verrouillage manette
Padlockable Handle Lock Hasp
Knebelverriegelung
Blocco leva
Pieza bloqueo mando
Vergrendelkit voor hendel
Kit de bloqueamento do punho
Hengelassperre
Εξάρτημα κλειδώματος
Blokada dźwigni
Система замка рукоятки
可加挂锁的手柄锁
عدة الغلق وحدة التحكم

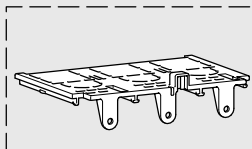
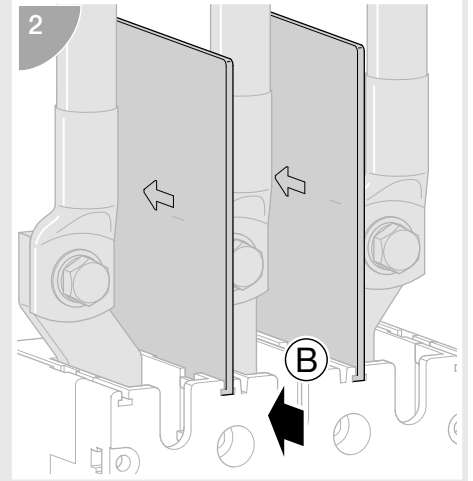
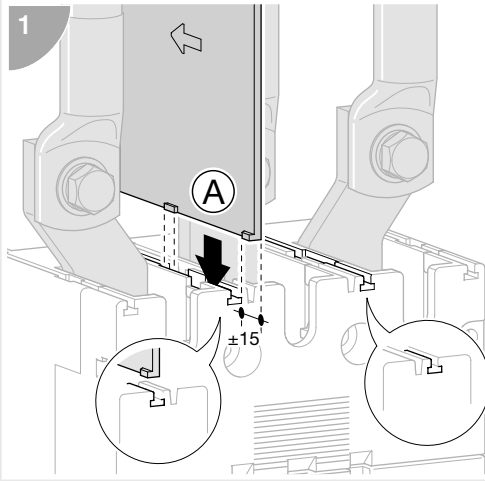




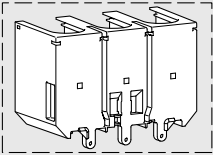


x4 3P
x6 4P
or optional HYD019H

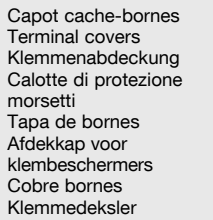
Séparateurs de phase
Interphase barrier
Abschottung
Setti separatori
Separadores de fases
Schermplatten
Separadores de fases
Faseisolasjonsplater
Διαχωριστικά φάσεων
Przegrody izolacyjne
Межфазная перегородка
相间隔板
مرحلة الفواصل



HYD025H 3P
HYD026H 4P
(for rear connections)



HYD023H 3P
HYD024H 4P
(for spreaders)

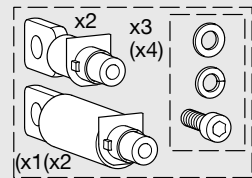
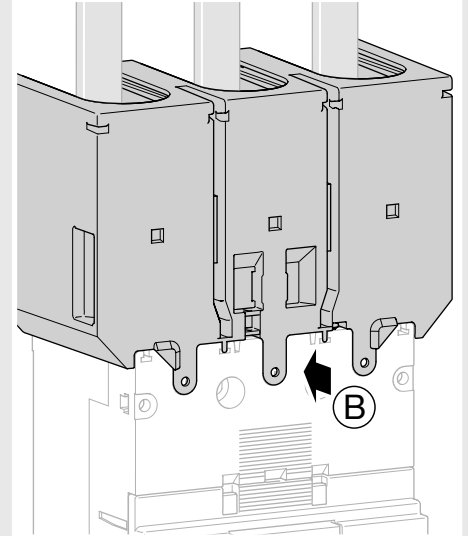
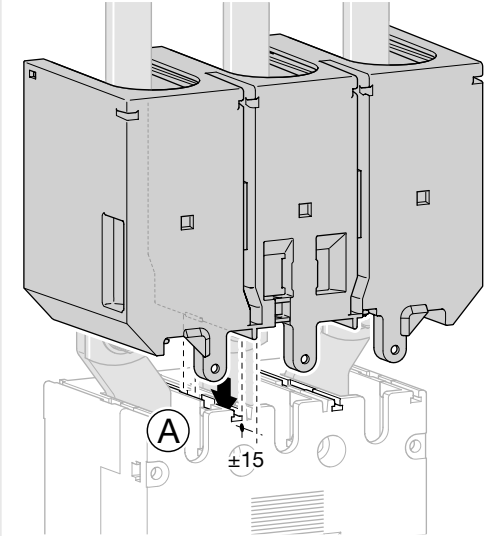


HYD021H 3P
HYD022H 4P
(for straight bars)

Capot cache-bornes
Terminal covers
Klemmenabdeckung
Calotte di protezione morsetti
Tapa de bornes
Afdekkap voor klembeschermers
Cobre bornes
Klemmedeksler

HYD027H 3P
HYD028H 4P
(for collar terminals)

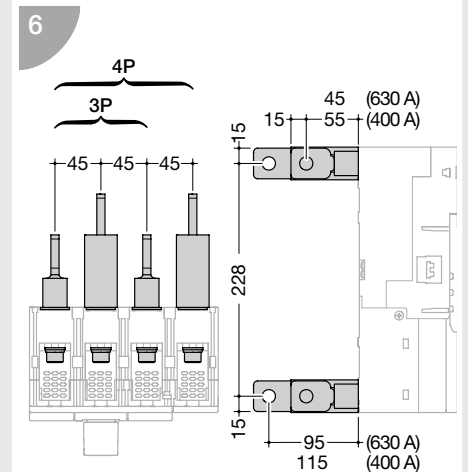
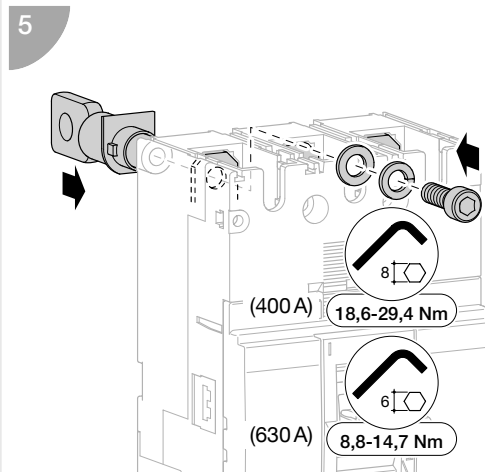
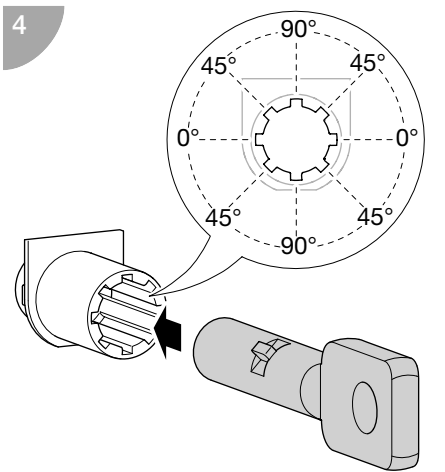
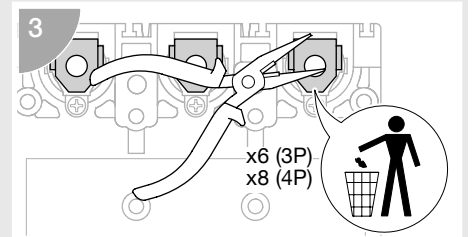
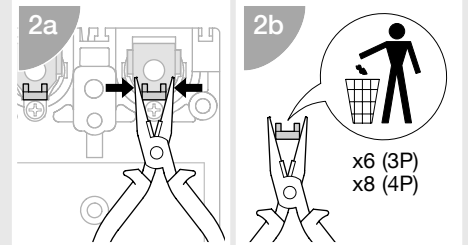
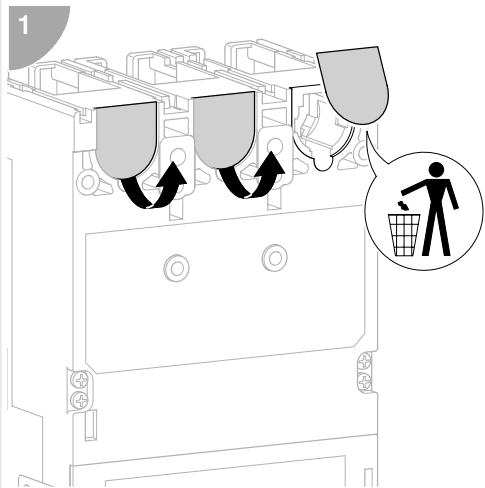
Κάλυμμα επαφών
Osłony zacisków
Изолирующие крышки
端子盖
غطاء البراغي



3P
HYD031H (400 A)
HYD033H (630 A)

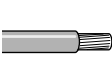

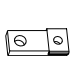
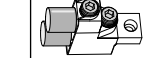
4P
HYD032H (400 A)
HYD034H (630 A)

Prises arrières
Rear connections
Rückseitiger Anschluss
Attachi posteriori
Conexiones posteriores
Achterste aansluitingen
Ligações posteriores
Tilkobling bakfra
Προεκτατικές μπαρες
Podłączenia tylne
Задние присоединения
后接线
ماخذ وراثي



Insulation accessories

Insulation accessories may be required or even mandatory in some cases. This table gives the rules to be respected to ensure the insulation of the live parts around the h3 circuit breakers.

| | | Front connection | | Rear connection | | Plug-in on back plate | | Plug-in flush mounted | |
|--|---|-------------------------|---|---------------------------------|---|--|---|--|---|
| | | No insulation accessory | | Terminal covers | | Terminal cover zero for MCCB | | Terminal cover for plug in base | |
| | | Interphase barriers | | Earth plate | | Terminal cover zero for rear connections | | Terminal cover zero for rear connections | |
| | | Earth plate | | Terminal cover for plug in base | | Earth plate | | Earth plate | |
| | | Terminal covers | | Terminal cover zero for MCCB | | Terminal cover for plug in base | | Terminal cover zero for rear connections | |
| | | Terminal covers | | Terminal cover zero for MCCB | | Terminal cover for plug in base | | Terminal cover zero for rear connections | |
| For operating voltage ≤ 500 VAC | | | | | | | | | |
| Accessories | | | | | | | | | |
| Feeding direction | | | | | | | | | |
| Type of conductor | | | | | | | | | |
|  | ⊗ | ⬆ | ⬆ | ⊗ | ⬆ | ⬆ | ⬆ | ⬆ | ⬆ |
|  | ⊗ | ⬆ | ⬆ | ⊗ | ⬆ | ⬆ | ⬆ | ⬆ | ⬆ |
|  | ⊗ | ⬆ | ⬆ | ⊗ | ⬆ | ⬆ | ⬆ | ⬆ | ⬆ |
|  | ⊗ | ⬆ | ⬆ | ⊗ | ⬆ | ⬆ | ⬆ | ⬆ | ⊗ |
| ⬆ Mandatory on top ⊗ Possible ⊗ Not possible ⬆ Mandatory on top and bottom | | | | | | | | | |

