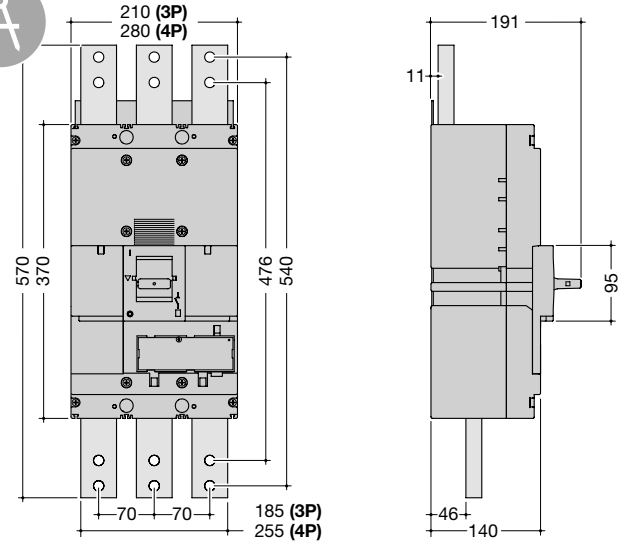
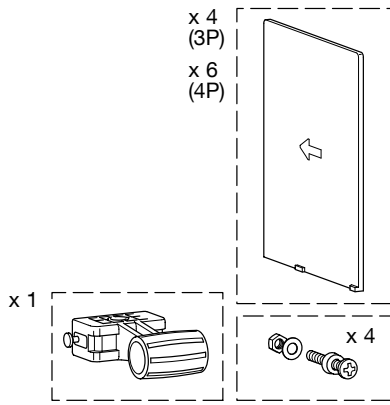
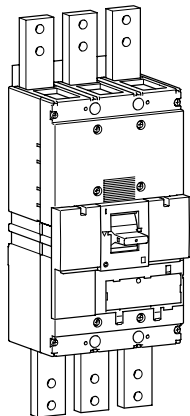


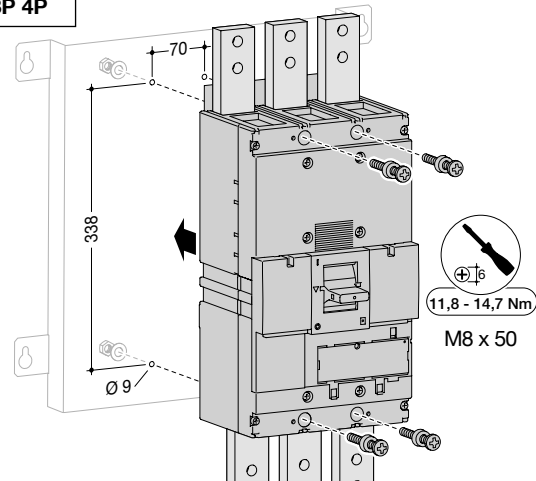
h1600



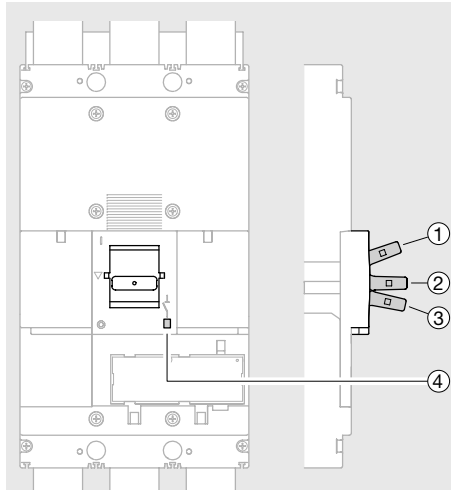
- (FR) Disjoncteurs boîtiers moulés 1250 - 1600 A
- (EN) Moulded case circuit breakers 1250 - 1600 A
- (DE) Leistungschalter 1250 - 1600 A
- (IT) int. scatola 1250 - 1600 A
- (ES) Interruptores automáticos 1250 - 1600 A
- (NL) Vermogens automaat 1250 - 1600 A
- (PT) Disjuntores gerais 1250 - 1600 A
- (NO) Effektbryter 1250 - 1600 A
- (EL) Αυτοματῶν διακρίπτες ισῶδς 1250 - 1600 A
- (PL) Wyłączniki kompaktowe 1250 - 1600 A
- (RU) Автоматические выключатели в литых корпусах 1250 - 1600 A
- (ZH) 塑壳断路器 1250 - 1600 A



3P 4P



		220 / 240 V AC	380 V AC	415 V AC	660 / 690 V AC
HNF IEC 60 947-2	Icu	100 kA	65 kA	50 kA	25 kA
	Ics	75 kA	65 kA	50 kA	25 kA
HEF IEC 60 947-2	Icu	100 kA	100 kA	70 kA	45 kA
	Ics	75 kA	75 kA	70 kA	34 kA
HCF IEC 60 947-3	Icm	45 kA			
	Icw	20 kA - 0,3 s			



Indicateur de position de la manette :

- ① rouge = ON, ② noir = Déclenché,
- ③ vert = OFF (Reset),
- ④ Bouton de déclenchement

Handle position indicator :

- ① red = ON, ② schwarz = Trip,
- ③ green = OFF (Reset),
- ④ Button, Push-to-Trip

Position des Schaltebels :

- ① rot = EIN, ② schwarz = ausgelöst,
- ③ grün = AUS (Reset),
- ④ Prüftaste, zum auslösen drücken

Indicatore di posizione della leva di manovra :

- ① rosso = ON,
- ② nero = Scanciato,
- ③ verde = OFF (Reset),
- ④ Pulsante di sgancio

Visualización de la posición :

- ① rojo = ON,
- ② negro = Disparo,
- ③ verde = OFF (Reset),
- ④ Pulsador de disparo

Hendelstand-indicator :

- ① rood = ON,
- ② zwart = Uitgeschakeld,
- ③ groen = OFF (Reset),
- ④ Uitschakelknop

Indicador de posição do punho :

- ① encarnado = ON,
- ② preto = Disparo,
- ③ verde = OFF (Reset),
- ④ Botão de disparo

Bryterknappens posisjon indikerer :

- ① rød = PA,
- ② sort = Utløst,
- ③ grønn = AV (Reset),
- ④ Utløserknapp

Οπτική ένδειξη της κατάστασης του διακόπτη :

- ① κόκκινο = ON,
- ② σῦρος = πῶση διακόπτη ισῶος,
- ③ πράσινο = OFF (Reset),
- ④ Πλήκτρο διακοπῆς

Polzycie dźwigni:

- ① czerwony = ON
- ② czarny = Trip
- ③ zielony = OFF (Reset)
- ④ Przycisk = Wciśnij aby wyzwolić

① Индикатор положения раб. органа:

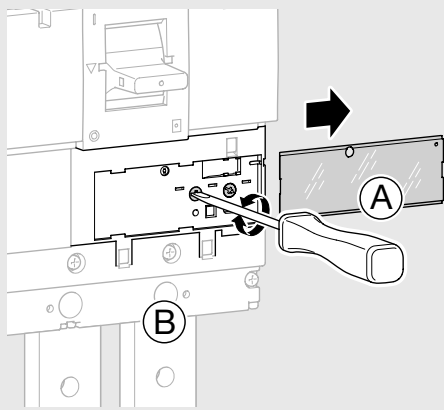
- ① красный = ВКЛ,
- ② черный = расцеплен
- ③ зелёный = Выкл(Готов)
- ④ Кнопка, Нажать для расцепления

手柄位置指示:

- ① 红色 = 释能),
- ② 黑色 = trip (储能)
- ③ 绿 = OFF/Reset
- ④ 按钮, 按压脱扣

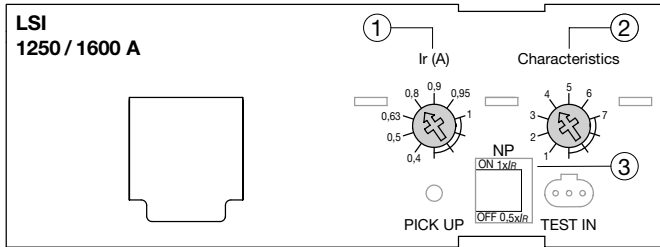
مشير الوضعية وحدة التحكم

- ① احمر = تشغيل
- ② اسود = انطلاق
- ③ اخضر = إيقاف
- ④ زر الانطلاق



Réglages
Trip unit settings
Einsteller
Regolazioni
Regulaciones
Instellingen
Regulações

Instillinger
Ρυθμίσεις
Nastawa wyzwolenia
Уставки блока
расцепителя
脱扣单元设定

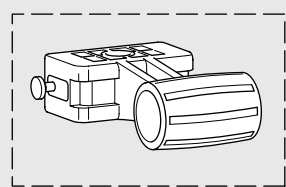
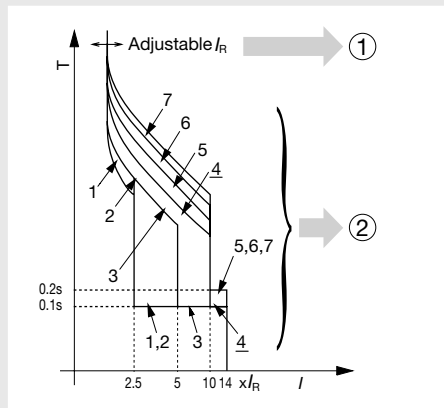


LSI	In A			
	1250 A / 1600 A		Inst	li (xlr)
	Long Time Delay	Short Time Delay		
Ir (x In)	tr (s)	lsd (xlr)	tsd (s)	
① Ir (x In)	0,4	ok		
	0,5	ok		
	0,63	ok		
	0,8	ok		
	0,9	ok		
	0,95	ok		
	1	ok		
② Characteristics	1	11 s at 2 xlr	2,5	0,1
	2	21 s at 2 xlr		
	3		5	14 (Max 12 x In)
	4	5 s at 6 xlr	10	
	5	10 s at 6 xlr		
	6	19 s at 6 xlr		
	7	29 s at 6 xlr		0,2

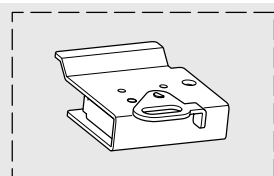
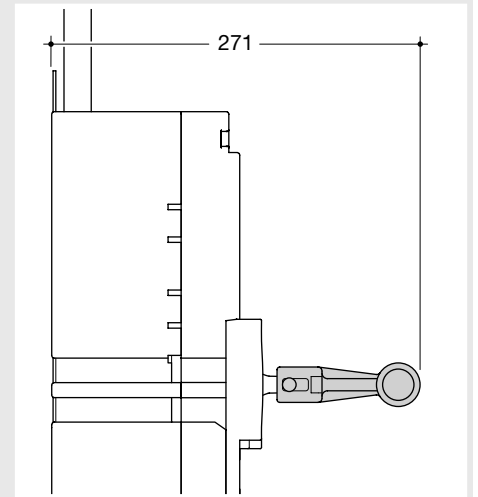
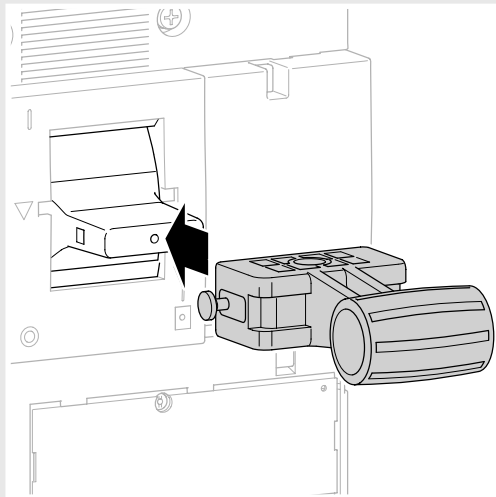
③ Protection du neutre
Neutral protection
Einsteller für
Neutralleiterschutz
Protezione del neutro
Protección de neutro

Beveiliging van de
nulleider
Protecção do neutro
Vern i nulleder
Προστασία ουδετέρου
Ochrona bieguna
neutralnego

Уставки блока
расцепителя
中性极保护

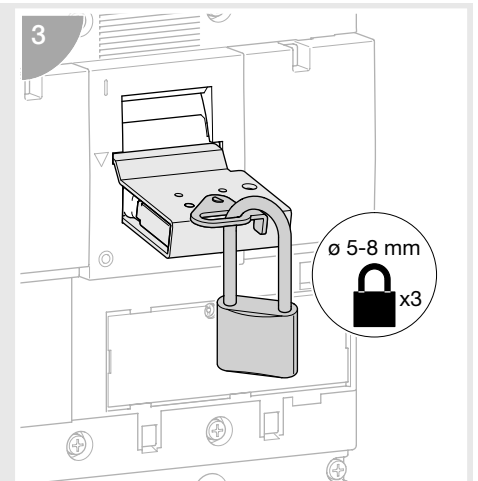
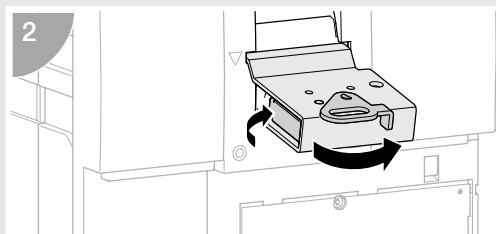
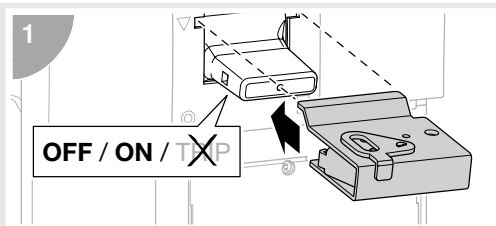


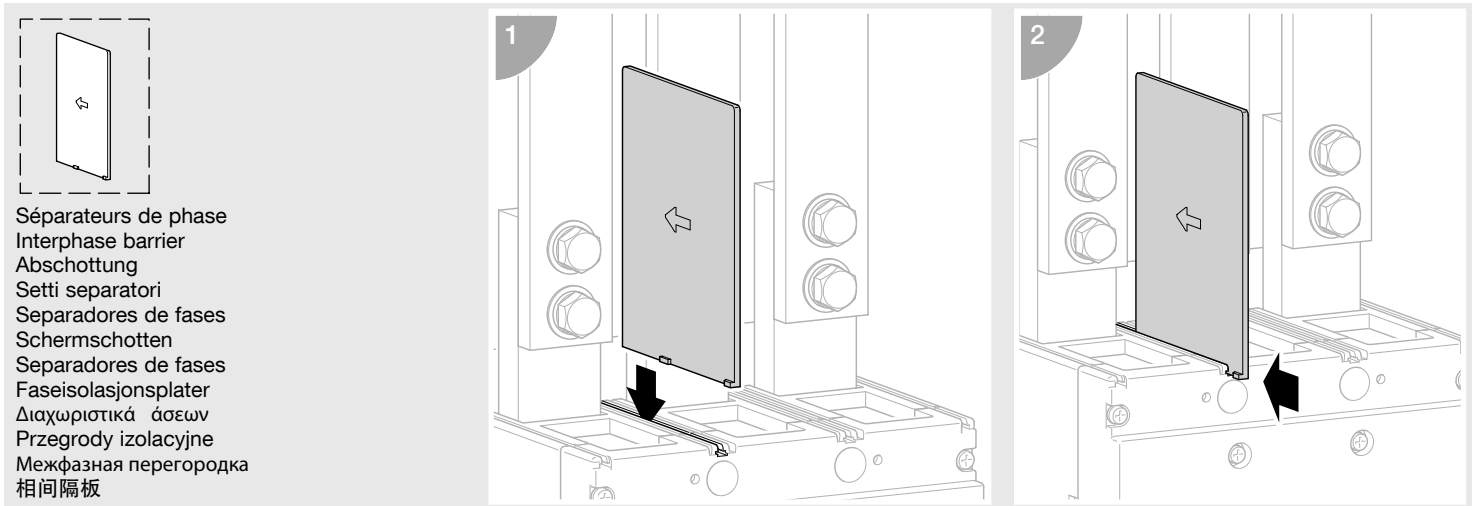
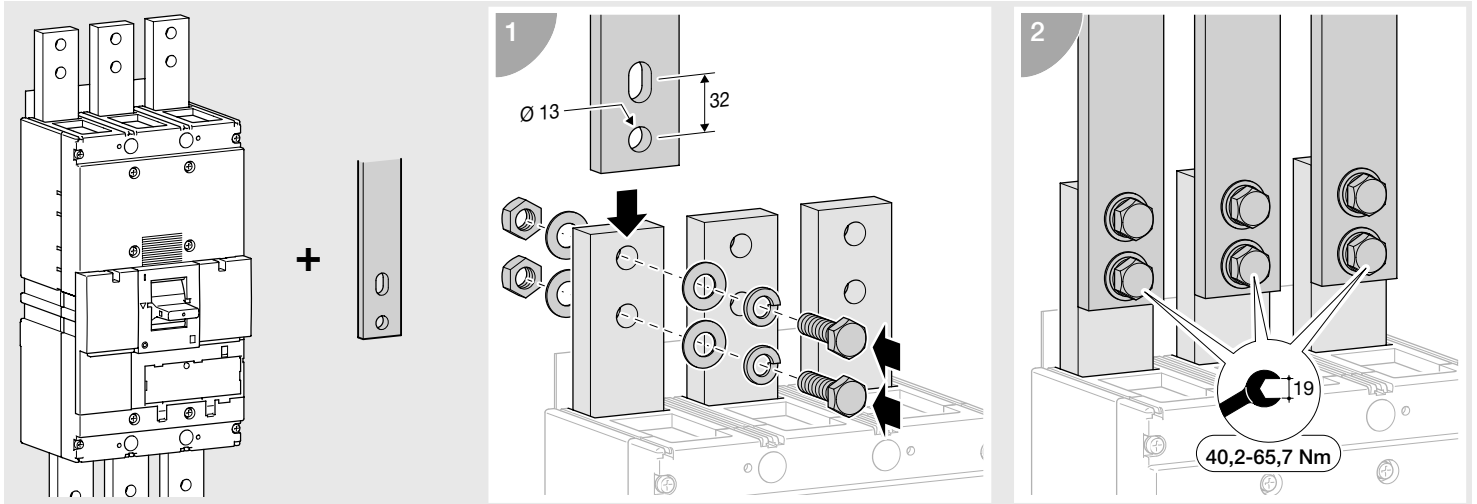
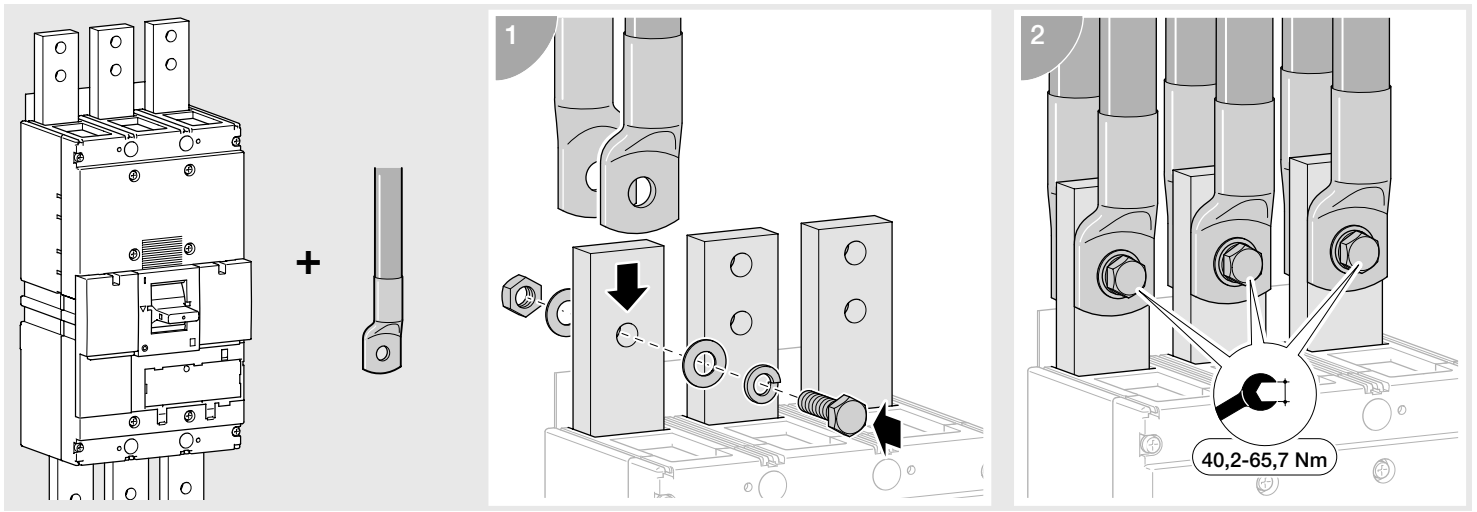
Prolongateur de manette
Extended handle
Knebelverlängerung
Leva prolungati
Prolongadores mando
Hendelverlengstuk
Prolongadores de punho
Bryterknappforlenger
Προέκταση πλήκτρου
Przedłużenie dźwigni
Удлиненная рукоятка
加长手柄



HXF039H

Kit de verrouillage manette
Padlockable Handle Lock Hasp
Knebelverriegelung
Blocco leva
Pieza bloqueo mando
Vergrendelkit voor hendel
Kit de bloqueamento do punho
Hengelåssperre
Εξάρτημα κλειδώματος
Blokada dźwigni
Система замка рукоятки
可加挂锁的手柄锁

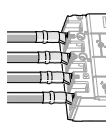

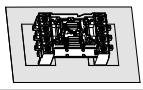
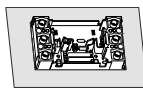
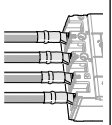

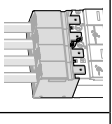


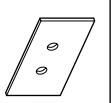
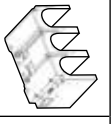

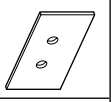
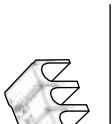

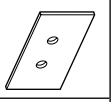
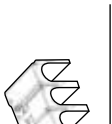
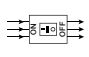
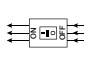
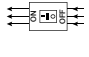












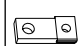
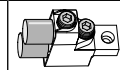




Séparateurs de phase
 Interphase barrier
 Abschottung
 Setti separatori
 Separadores de fases
 Schermschotten
 Separadores de fases
 Faseisolasjonsplater
 Διαχωριστικά άσεων
 Przegrody izolacyjne
 Межфазная перегородка
 相间隔板

Insulation accessories

Insulation accessories may be required or even mandatory in some cases. This table gives the rules to be respected to ensure the insulation of the live parts around the h3 circuit breakers.

		Front connection		Rear connection	Plug-in on back plate		Plug-in flush mounted							
														
		No insulation accessory	Interphase barriers	Terminal covers	Terminal cover zero for rear connections	Terminal cover zero for MCCB	Earth plate	Terminal cover for plug in base	Terminal cover zero for rear connections	Earth plate	Terminal cover for plug in base	Terminal cover zero for rear connections	Earth plate	Terminal cover for plug in base
For operating voltage ≤ 500 VAC														
Accessories														
														
Feeding direction														
														
Type of conductor														
	<input checked="" type="checkbox"/>	<input checked="" type="checkbox"/>	<input checked="" type="checkbox"/>	<input checked="" type="checkbox"/>	<input checked="" type="checkbox"/>	<input checked="" type="checkbox"/>	<input checked="" type="checkbox"/>	<input checked="" type="checkbox"/>	<input checked="" type="checkbox"/>	<input checked="" type="checkbox"/>	<input checked="" type="checkbox"/>	<input checked="" type="checkbox"/>	<input checked="" type="checkbox"/>	<input checked="" type="checkbox"/>
	<input checked="" type="checkbox"/>	<input checked="" type="checkbox"/>	<input checked="" type="checkbox"/>	<input checked="" type="checkbox"/>	<input checked="" type="checkbox"/>	<input checked="" type="checkbox"/>	<input checked="" type="checkbox"/>	<input checked="" type="checkbox"/>	<input checked="" type="checkbox"/>	<input checked="" type="checkbox"/>	<input checked="" type="checkbox"/>	<input checked="" type="checkbox"/>	<input checked="" type="checkbox"/>	<input checked="" type="checkbox"/>
	<input checked="" type="checkbox"/>	<input type="checkbox"/>	<input type="checkbox"/>	<input checked="" type="checkbox"/>	<input checked="" type="checkbox"/>	<input checked="" type="checkbox"/>	<input checked="" type="checkbox"/>	<input checked="" type="checkbox"/>	<input checked="" type="checkbox"/>	<input checked="" type="checkbox"/>	<input checked="" type="checkbox"/>	<input checked="" type="checkbox"/>	<input checked="" type="checkbox"/>	<input checked="" type="checkbox"/>
	<input checked="" type="checkbox"/>	<input checked="" type="checkbox"/>	<input checked="" type="checkbox"/>	<input checked="" type="checkbox"/>	<input checked="" type="checkbox"/>	<input checked="" type="checkbox"/>	<input checked="" type="checkbox"/>	<input checked="" type="checkbox"/>	<input checked="" type="checkbox"/>	<input checked="" type="checkbox"/>	<input checked="" type="checkbox"/>	<input checked="" type="checkbox"/>	<input checked="" type="checkbox"/>	<input checked="" type="checkbox"/>
Mandatory on top		<input checked="" type="checkbox"/>	<input checked="" type="checkbox"/>	<input checked="" type="checkbox"/>	<input checked="" type="checkbox"/>	<input checked="" type="checkbox"/>	<input checked="" type="checkbox"/>	<input checked="" type="checkbox"/>	<input checked="" type="checkbox"/>	<input checked="" type="checkbox"/>	<input checked="" type="checkbox"/>	<input checked="" type="checkbox"/>	<input checked="" type="checkbox"/>	<input checked="" type="checkbox"/>
Mandatory on top and bottom		<input checked="" type="checkbox"/>	<input checked="" type="checkbox"/>	<input checked="" type="checkbox"/>	<input checked="" type="checkbox"/>	<input checked="" type="checkbox"/>	<input checked="" type="checkbox"/>	<input checked="" type="checkbox"/>	<input checked="" type="checkbox"/>	<input checked="" type="checkbox"/>	<input checked="" type="checkbox"/>	<input checked="" type="checkbox"/>	<input checked="" type="checkbox"/>	<input checked="" type="checkbox"/>
Possible		<input checked="" type="checkbox"/>	<input checked="" type="checkbox"/>	<input checked="" type="checkbox"/>	<input checked="" type="checkbox"/>	<input checked="" type="checkbox"/>	<input checked="" type="checkbox"/>	<input checked="" type="checkbox"/>	<input checked="" type="checkbox"/>	<input checked="" type="checkbox"/>	<input checked="" type="checkbox"/>	<input checked="" type="checkbox"/>	<input checked="" type="checkbox"/>	<input checked="" type="checkbox"/>
Not possible		<input checked="" type="checkbox"/>	<input checked="" type="checkbox"/>	<input checked="" type="checkbox"/>	<input checked="" type="checkbox"/>	<input checked="" type="checkbox"/>	<input checked="" type="checkbox"/>	<input checked="" type="checkbox"/>	<input checked="" type="checkbox"/>	<input checked="" type="checkbox"/>	<input checked="" type="checkbox"/>	<input checked="" type="checkbox"/>	<input checked="" type="checkbox"/>	<input checked="" type="checkbox"/>
Mandatory on top and bottom		<input checked="" type="checkbox"/>	<input checked="" type="checkbox"/>	<input checked="" type="checkbox"/>	<input checked="" type="checkbox"/>	<input checked="" type="checkbox"/>	<input checked="" type="checkbox"/>	<input checked="" type="checkbox"/>	<input checked="" type="checkbox"/>	<input checked="" type="checkbox"/>	<input checked="" type="checkbox"/>	<input checked="" type="checkbox"/>	<input checked="" type="checkbox"/>	<input checked="" type="checkbox"/>