



6LE001628Ac

h3+

P630

3P - 4P

x1

AX	AX	AX-AL
AX	AX	SHT
AL	AL	UVT

x1

x6 (3P)
x8 (4P)

M6x100

x4

x4 (3P)
x6 (4P)

! ENERGY

MCCB 3P ENERGY

HTC160H

Wrench and Screwdriver

3

PH1 / PH2

6 / 8

3P - 4P

	A (mm)
3P	140
4P	185

Dimensions: 260, 228, 150, 103, 90, 137, 184, 45, 45, 45, 97, 115.

3P - 4P

M6

45

214

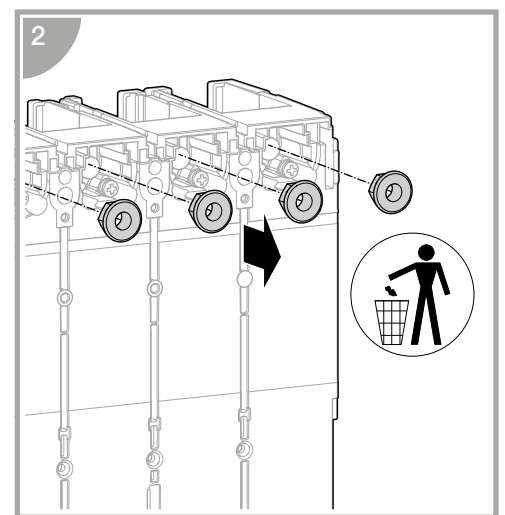
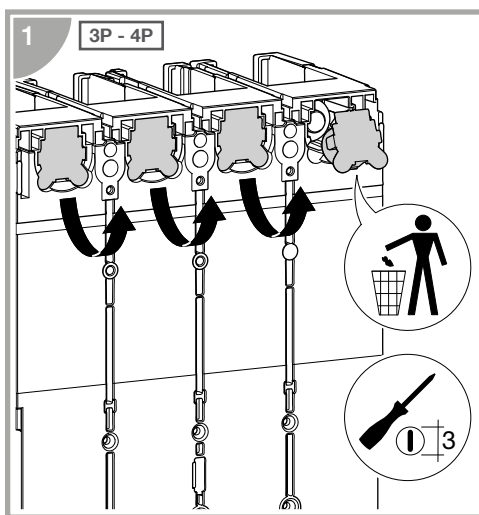
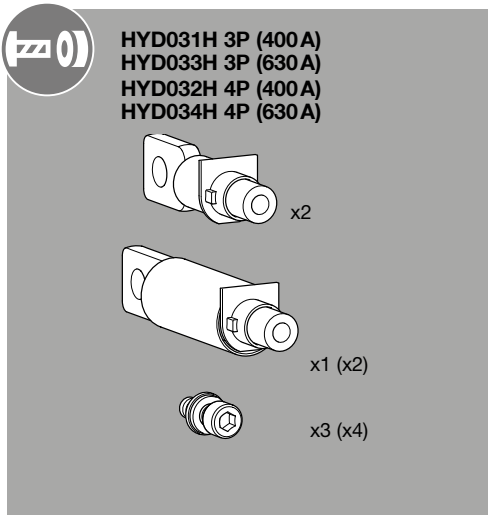
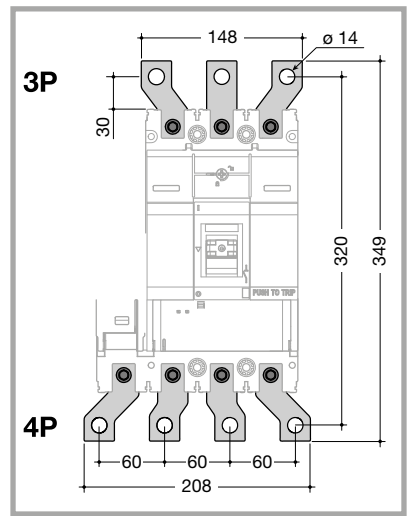
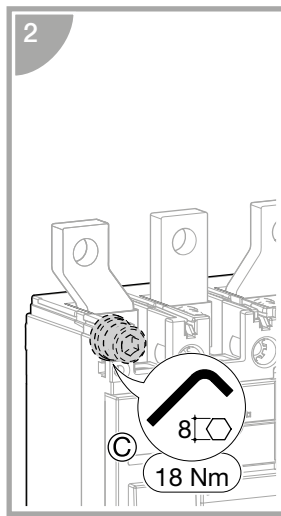
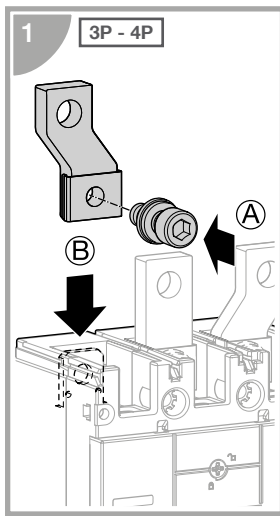
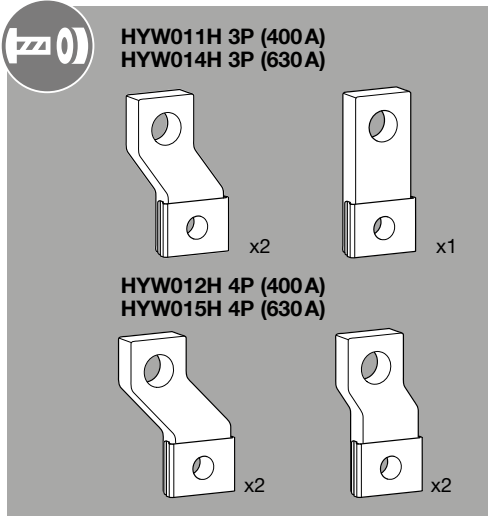
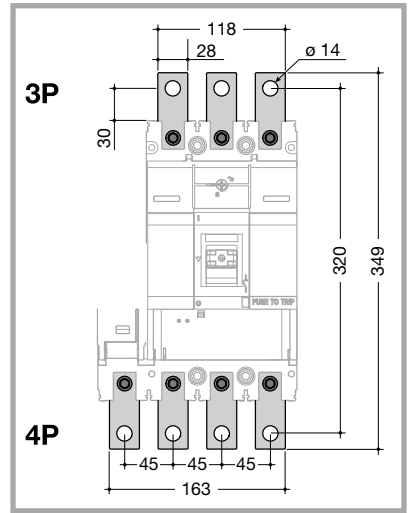
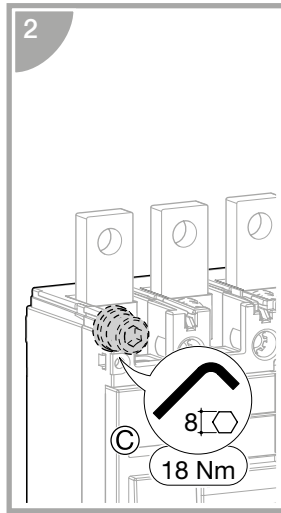
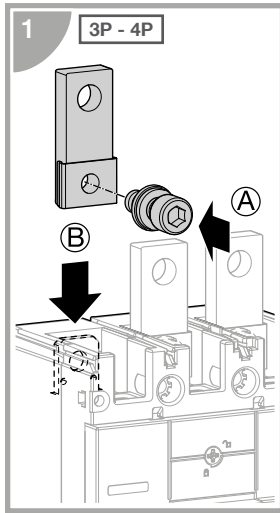
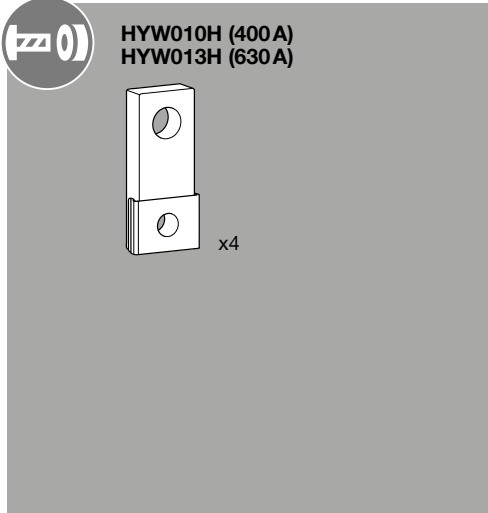
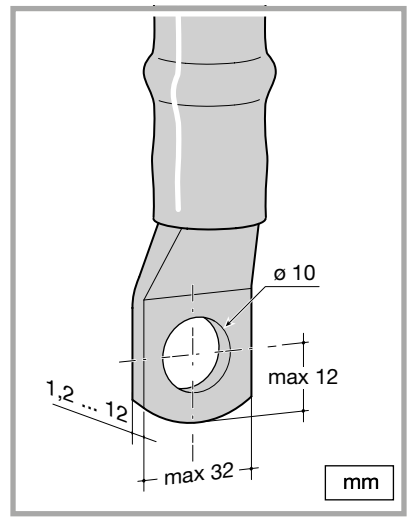
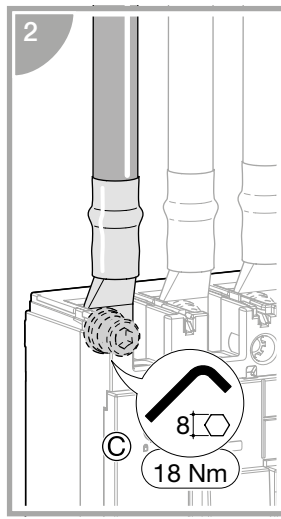
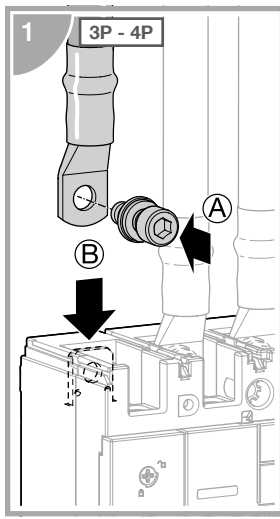
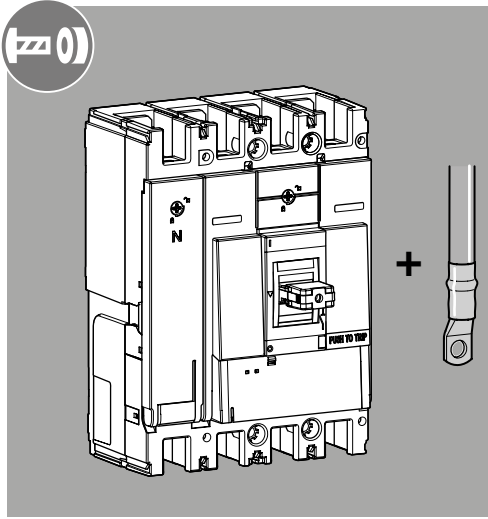
PH2

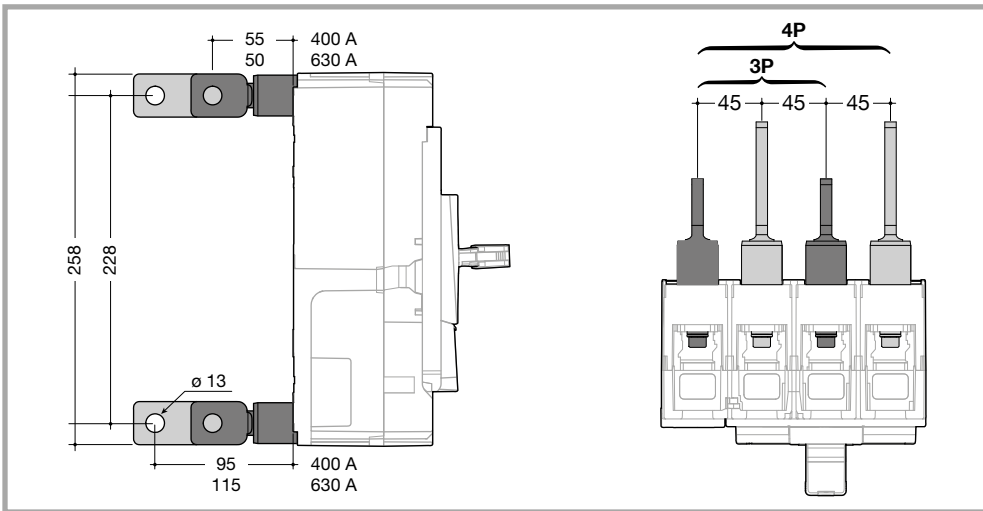
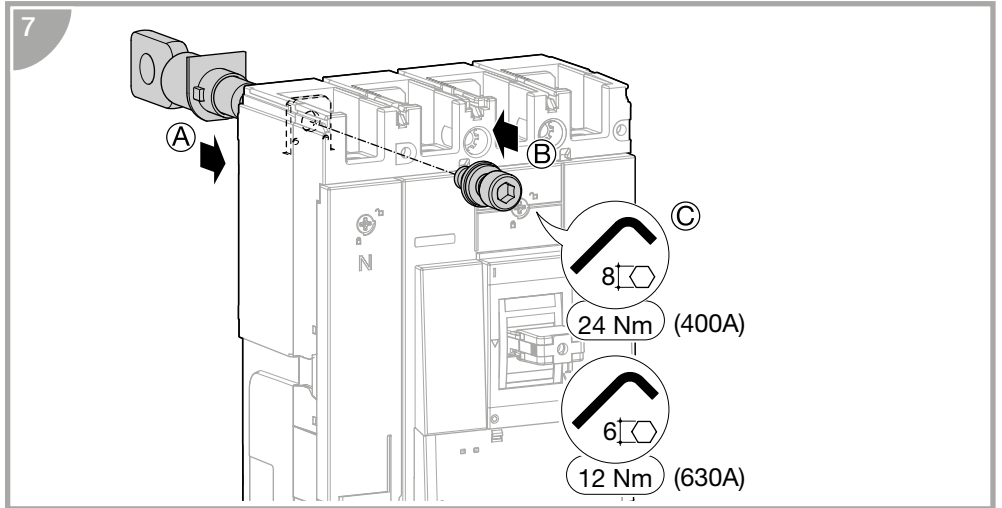
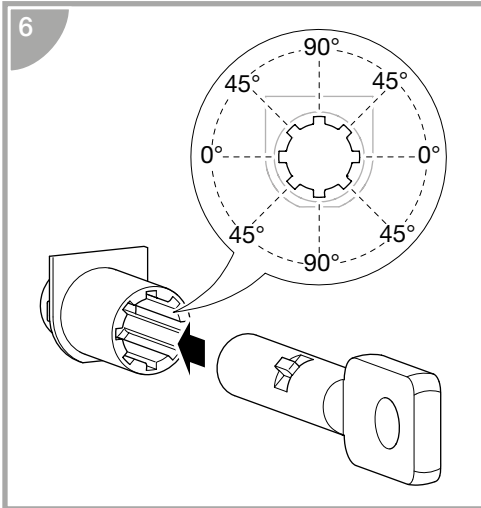
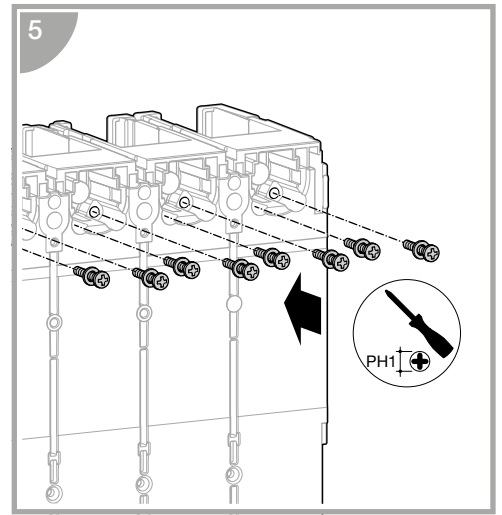
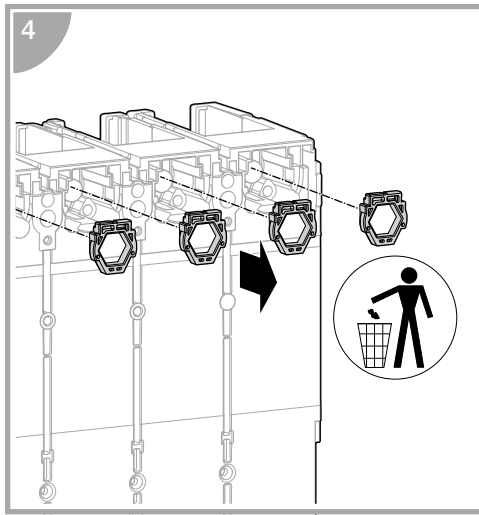
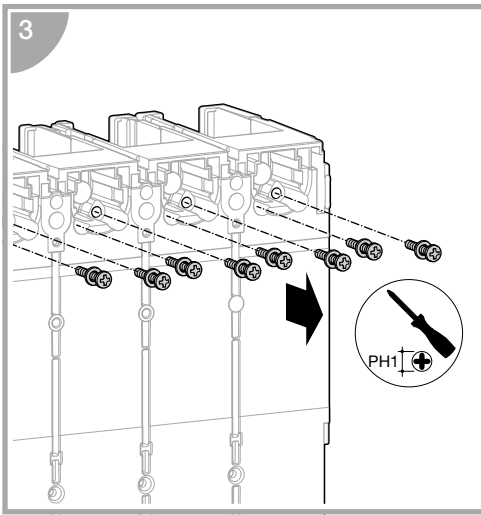
6 Nm

3P - 4P

TRIP → OFF → ON → TRIP → OFF

Click!





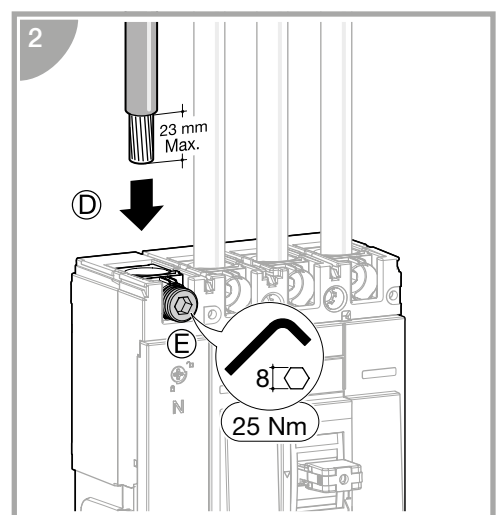
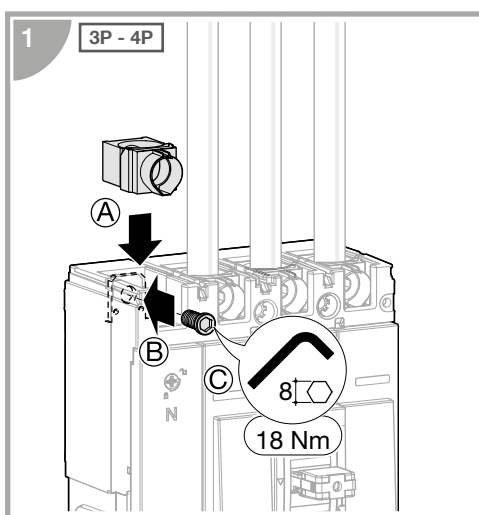
HYW001H 3P
HYW002H 4P

Cu
Al

	min.	max.
	400 A - 630 A	
	35	300

x3 (3P)
x4 (4P)

	35 \square \rightarrow 95 \square	120 \square \rightarrow 300 \square
	L=28mm x3 (x4)	L=21mm x3 (x4)



HYW007H 3P
HYW008H 4P

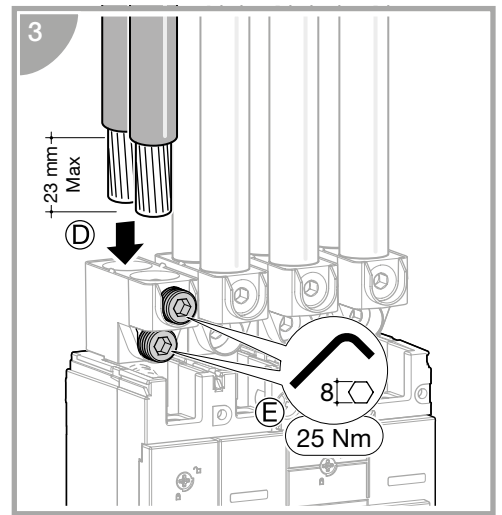
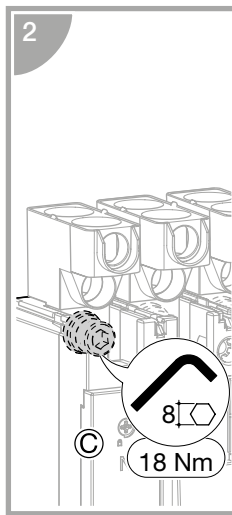
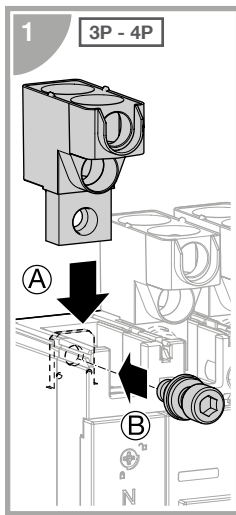
Cu
Al

	min.	max.
	400A - 630A	
	35□	300□

x3 (3P)
x4 (4P)

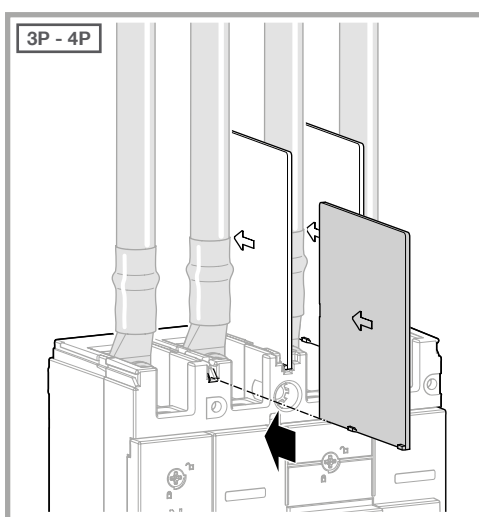
35□ → 95□ 120□ → 300□

L=28mm x6 (x8) L=21mm x6 (x8)



HYW019H

x3



HYW050H 3P
HYW051H 4P

x2

HYW021H 3P
HYW022H 4P

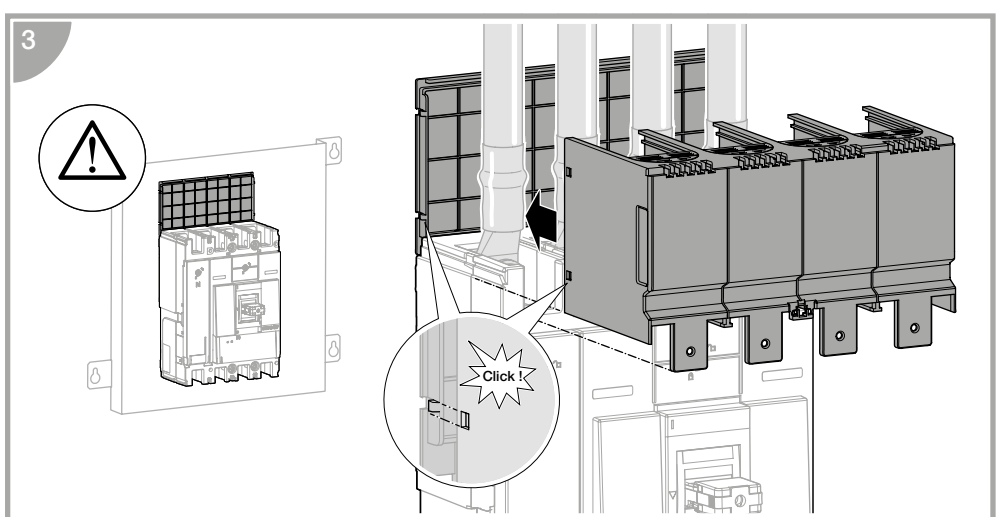
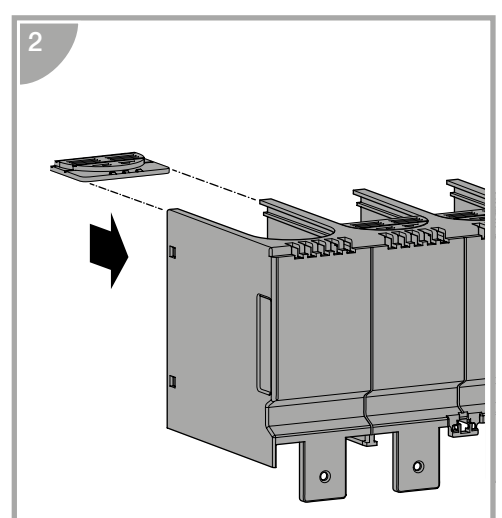
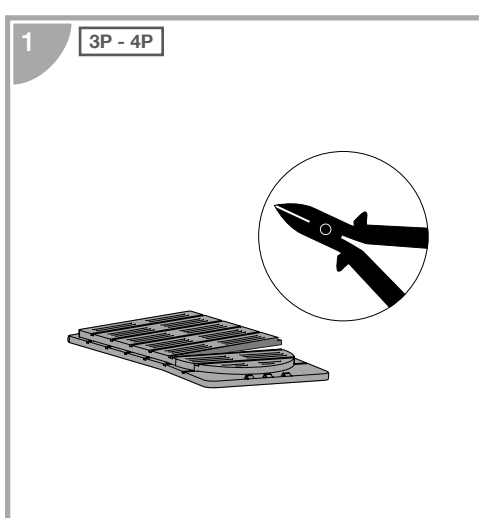
x2

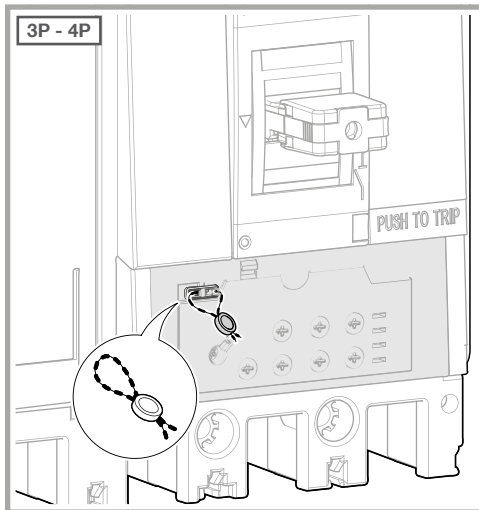
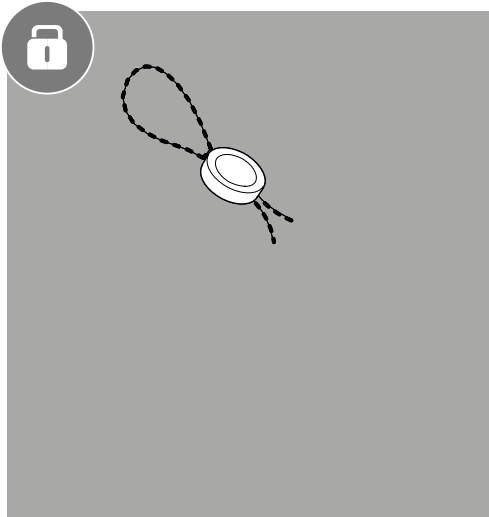
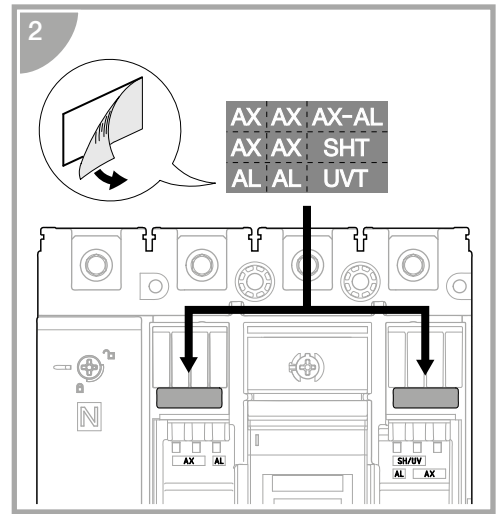
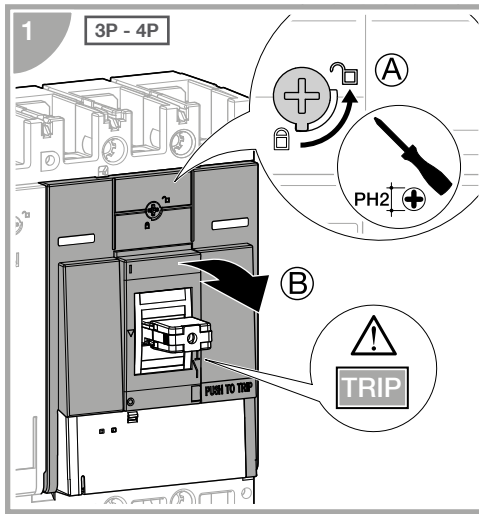
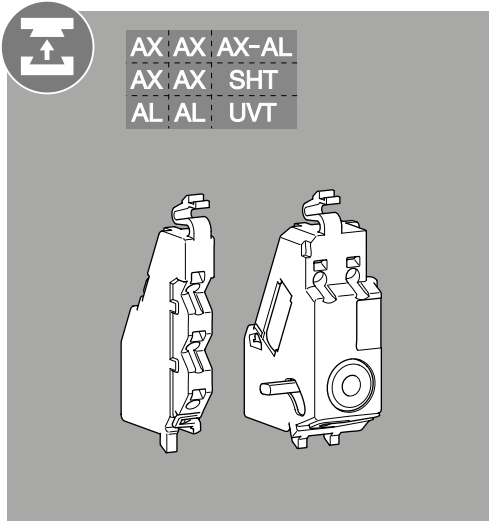
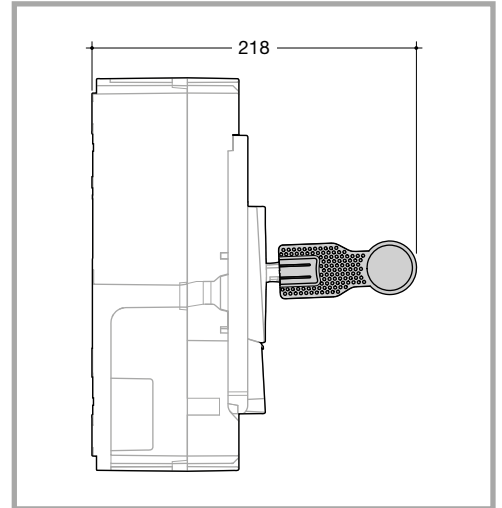
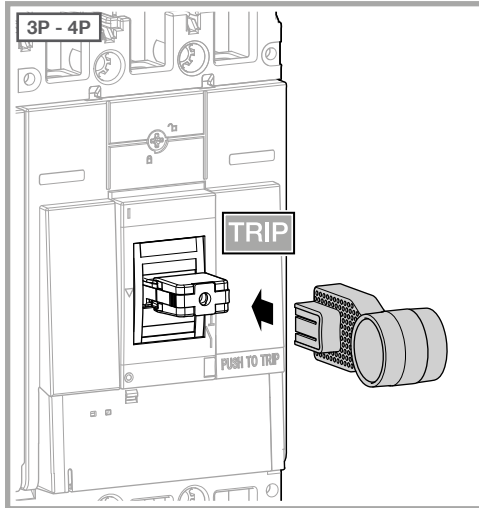
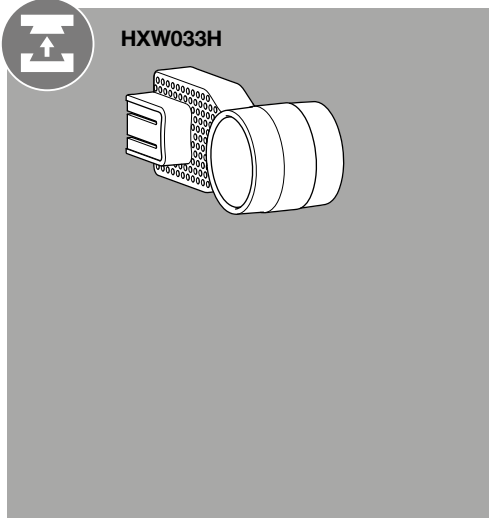
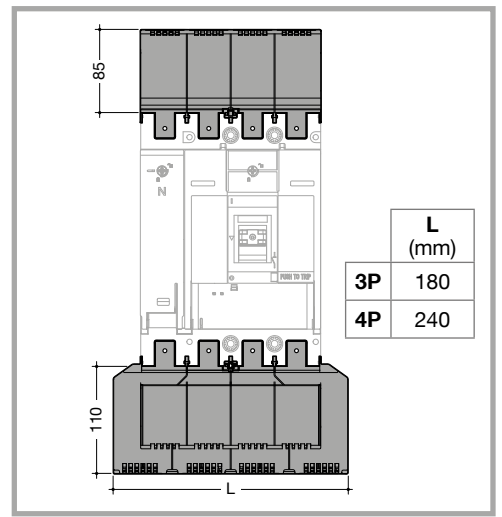
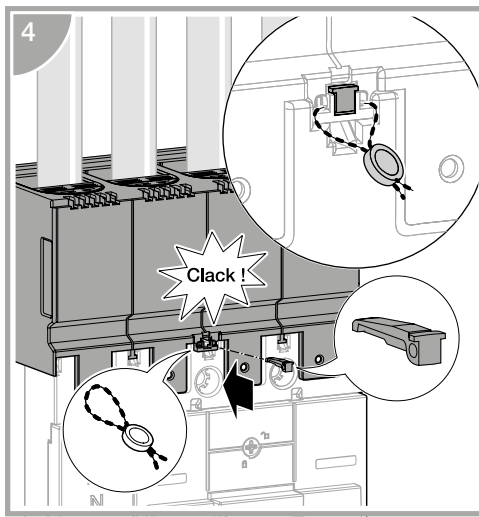
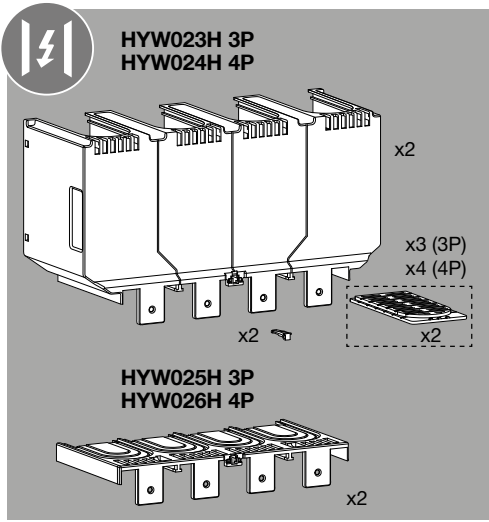
x3 (3P)
x4 (4P)

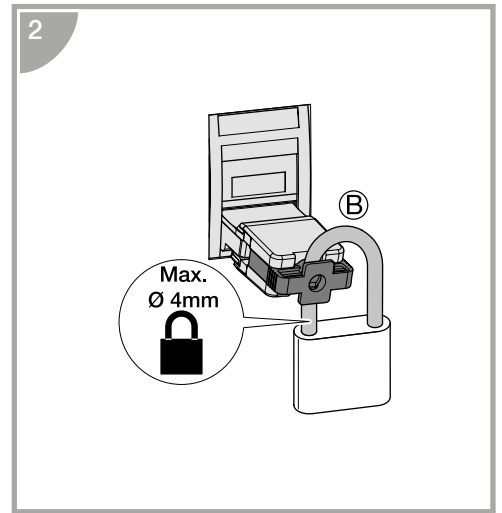
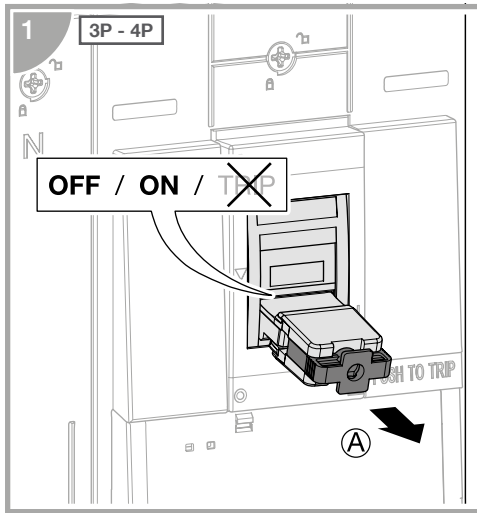
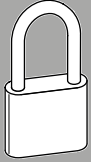
x2

HYW052H 3P
HYW053H 4P

x2







HXA039H

