

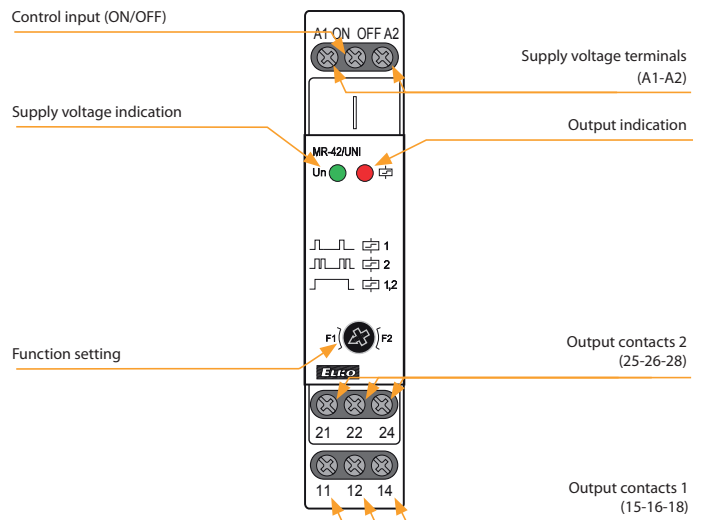


EAN code  
 MR-41/230 V: 8595188115889  
 MR-41/UNI: 8595188115896  
 MR-42/230 V: 8595188182492  
 MR-42/UNI: 8595188182256

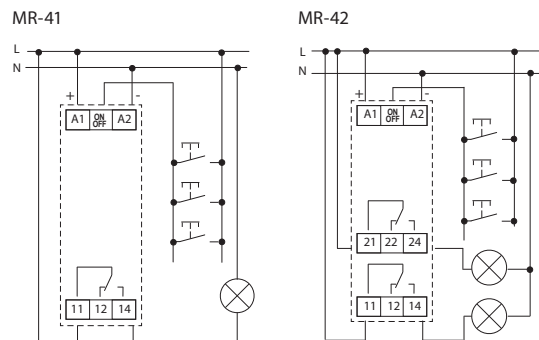
Technical parameters	MR-41	MR-42
Number of functions:	1	2
Supply terminals:	A1 - A2	
Voltage range:	AC/DC 12 - 240 V (AC 50 - 60 Hz)	
Consumption (max.):	2 VA/1.5 W	2.5 VA/1.5 W
Voltage range:	AC 230 V (50 - 60 Hz)	
Consumption (max.):	3 VA/1.4 W	4 VA/2 W
Supply voltage tolerance:	-15 %; +10 %	
Supply indication:	green LED	
<b>Output</b>		
Number of contacts:	1x changeover/SPDT (AgSnO <sub>2</sub> )	2x changeover/DPDT (AgSnO <sub>2</sub> )
Current rating:	16 A/AC1	
Breaking capacity:	4000 VA/AC1, 384 W/DC	
Inrush current:	30 A/< 3 s	
Switching voltage:	250V AC/24V DC	
Power dissipation (max.):	1.2 W	2.4 W
Output indication:	red LED	
Mechanical life:	10.000.000 ops.	
Electrical life (AC1):	100.000 ops.	
<b>Controlling</b>		
Load between A2-ON/OFF:	Yes	
Control terminals:	A1 - ON/OFF	
Glow-lamp connection:	(UNI) - NO, (230) - max. 4 pcs	
Impulse length:	min. 25 ms/max. unlimited	
<b>Other data</b>		
Operating temperature:	-20 °C to +55 °C (-4 °F to 131 °F)	
Storage temperature:	-30 °C to +70 °C (-22 °F to 158 °F)	
Dielectric strength:	4 kV	
supply - output 1	-	
supply - output 2	3 kV	
output 1 - output 2	4 kV	
Operating position:	any	
Mounting:	DIN rail EN 60715	
Protection degree:	IP40 from front panel/IP20 terminals	
Overvoltage category:	III.	
Pollution degree:	2	
Max. cable size (mm <sup>2</sup> ):	solid wire max. 1x 2.5 or 2x 1.5/ with sleeve max. 1x 2.5 (AWG 12)	
Dimensions:	90 x 17.6 x 64 mm (3.5" x 0.7" x 2.5")	
Weight:	(UNI)-59 g (2.3 oz.), (230)-53 g (2.2 oz.)	(UNI)-80 g (2.8 oz.), (230)-70 g (2.5 oz.)
Standards:	EN 60669-1, EN 60669-2-1	

- Memory (impulse) relays, controlled by buttons from several locations can replace three way switches or cross bar switches.
- Thanks to control by buttons (unlimited number, connected in parallel by 2 wires), installation gets more transparent and faster for mounting.
- Relays MR-41, MR-42 memorize its last state even after supply failure. During the failure relay will turn off and after re-energizing will automatically turns on.
- **MR-41** - output contact: 1x changeover 16 A.
- **MR-42** - options: 2x parallel contacts or the other relay is latching  
 - function selected via potentiometer on front panel  
 - output contact: 2x changeover 16 A
- Supply voltage: AC 230 V or AC/DC 12 - 240 V.

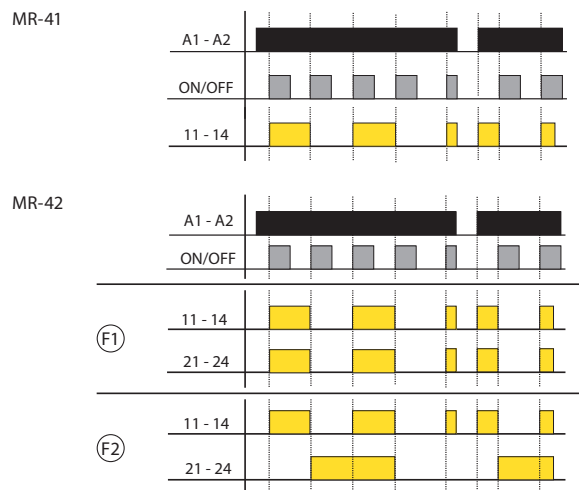
**Description**



**Connection**



**Function**



**Symbol**

