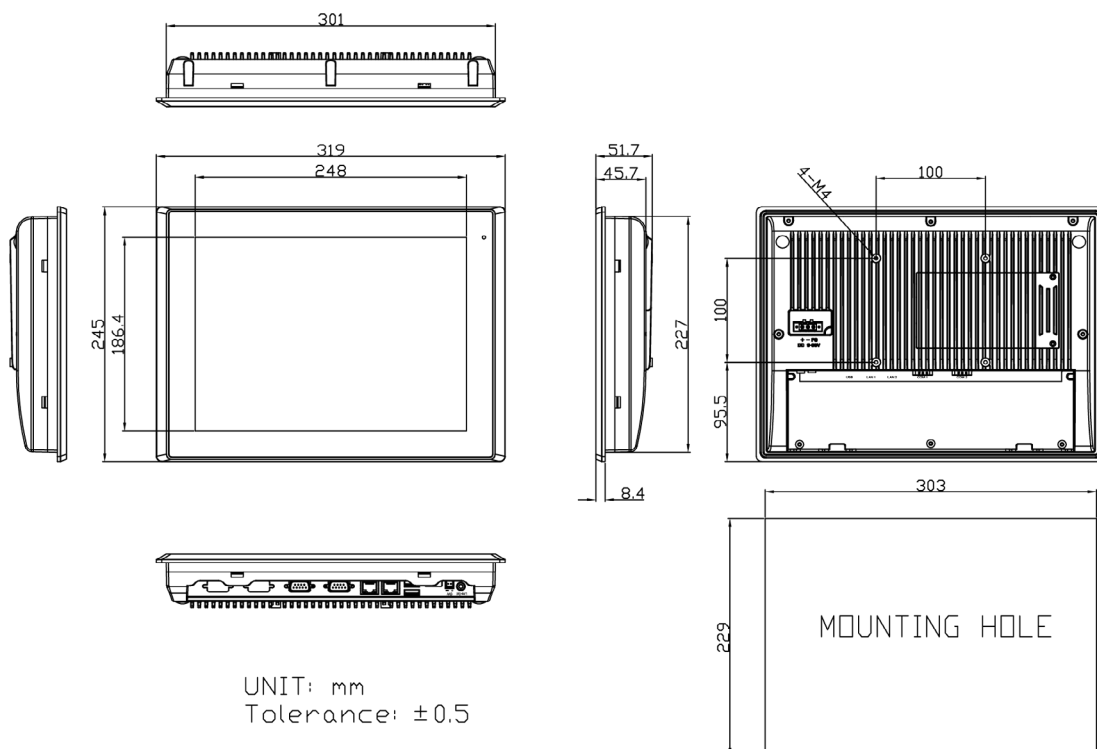


## 12.1" Intel Celeron N2930/Atom E3845 Fanless Industrial Panel PC

### Features

- 12.1" Industrial Compact Size Panel PC
- Intel Celeron N2930(1.83GHz) CPU built-in / Atom E3845(1.91GHz) for option
- Onboard 4GB DDR3L 1333MHz/8GB(option)
- Flat Front Panel Touch Screen and Fanless Design
- DC 9~36V Wide-Ranging Power Input
- IP66 Compliant Front Panel
- Optional Projected Capacitive Touch Screen Support 7H Anti-Scratch Surface
- High Brightness 1,000 nits for Option



### Ordering Information

<b>R12-R</b>	12.1" SVGA Fanless Panel PC with Intel N2930 1.83G CPU, 4GB DDR3L RAM, Resistive touch screen, DC 9~36V input with adapter, Aluminum chassis
<b>R12-P</b>	12.1" SVGA Fanless Panel PC with Intel N2930 1.83G CPU, 4GB DDR3L RAM, Projected Capacitive touch screen, DC 9~36V input with adapter, Aluminum chassis
<b>R12-RH</b>	12.1" SVGA Fanless Panel PC with Intel N2930 1.83G CPU, 4GB DDR3L RAM, Resistive touch screen, DC 9~36V input with adapter, Aluminum chassis, 1,000 nits LCD
<b>R12-PH</b>	12.1" SVGA Fanless Panel PC with Intel N2930 1.83G CPU, 4GB DDR3L RAM, Projected Capacitive touch screen, DC 9~36V input with adapter, Aluminum chassis, 1,000 nits LCD

<b>Model</b>		<b>R12</b>			
<b>System</b>	<b>CPU</b>	Intel Celeron N2930 Processor (2M Cache,1.83GHz) Atom E3845 Processor (2M Cache,1.91GHz)			
	<b>Memory</b>	Onboard 4GB DDR3L SDRAM, up to 8GB (option)			
	<b>System Chipset</b>	SoC			
<b>I/O Port</b>	<b>USB</b>	2 x USB 3.0 type A			
	<b>Serial / Parallel</b>	1 x DB-9 RS-232/422/485, COM1 (Default RS-232) 1 x RS-232 DB-9, COM2			
	<b>Audio</b>	1 x Audio Line Out			
	<b>LAN</b>	2 x GbE LAN RJ-45			
	<b>Power</b>	1 x 3-pin DC power input terminal 1 x 2-pin connector for power on/off button			
	<b>Option</b>	VESA Stand 4G LTE/WiFi/ BT 4 x USB 2.0 type A 4 x USB 2.0 type A + 1 x Mini-PCIe + 1 x SIM slot 2 x COM (RS-232) 1 x COM (RS-232) + 2 x USB 2.0 1 x COM (RS-232) + 2 x USB 2.0 + 1 x Power Button 2 x COM (RS-232) + 1 x Mini-PCIe slot + 1 x SIM slot 2 x COM (RS-422/485, isolated) 2 x CAN 1 x LAN + 2 x USB 2.0 type A 1 x LAN(25W non-isolated PoE PD) + 2 x USB 2.0 type A* 1 x LAN(25W isolated PoE PD) + 2 x USB 2.0 type A* 1 x LAN(45W isolated PoE PD) + 2 x USB 2.0 type A Backup Battery 21W/10.8V/1.95Ah(3S1P) System is only allowed to build in either I/O board or backup battery			
<b>Storage Space</b>	<b>HDD</b>	1 x 2.5" SATA3 HDD space			
	<b>Movable Device</b>	1 x Micro SD card slot, up to 32GB			
<b>Expansion</b>	<b>Onboard Expansion bus</b>	1 x Mini-PCIe slot (full size) 1 x Micro SIM slot			
<b>Touch Screen</b>	<b>Type</b>	Resistive Touch Projected Capacitive Touch (for P model)			
	<b>Interface</b>	USB			
	<b>Light Transmission(%)</b>	Resistive Touch: over 80% Projected Capacitive Touch: over 90%			
<b>Mechanical</b>	<b>Construction</b>	Aluminum Die-casting Chassis			
	<b>Mounting</b>	Panel Mount, VESA 100 x 100			
	<b>Dimensions (WxHxD)</b>	319 x 245 x 51.7 mm			
	<b>IP Rating</b>	IP66 Compliant Front Bezel			
	<b>Net Weight</b>	3.1 kg			
<b>Power</b>	<b>Power Input</b>	DC 9~36V			
	<b>Power Consumption</b>	R12-P: 32W (MAX)			
<b>Environmental</b>	<b>Operating Temperature</b>	0~50°C/ -20~60°C (option)			
	<b>Storage Temperature</b>	-30~70°C			
	<b>Humidity</b>	10 to 90%@ 40°C, non-condensing			
	<b>Certificate</b>	CE/FCC Class A/CB/UL			
<b>Display</b>		<b>Standard</b>		<b>High Brightness Optional</b>	
	<b>Display Type</b>	12.1" TFT-LCD		12.1" TFT-LCD	
	<b>Max. Resolution</b>	800 x 600	1024 x 768	800 x 600	1024 x 768
	<b>Max. Color</b>	16.2M	16.2M	16.2M	16.2M
	<b>Luminance (cd/m2)</b>	450	500	1000	1000
	<b>View Angle</b>	178(H)/178(V)	178(H)/178(V)	178(H)/178(V)	178(H)/178(V)
	<b>Contrast</b>	1500:1	1000:1	700:1	1000:1
	<b>Backlight Lifetime</b>	50,000 hrs	30,000 hrs	50,000 hrs	70,000 hrs
<b>Operating System Support</b>	Windows 10 IoT				