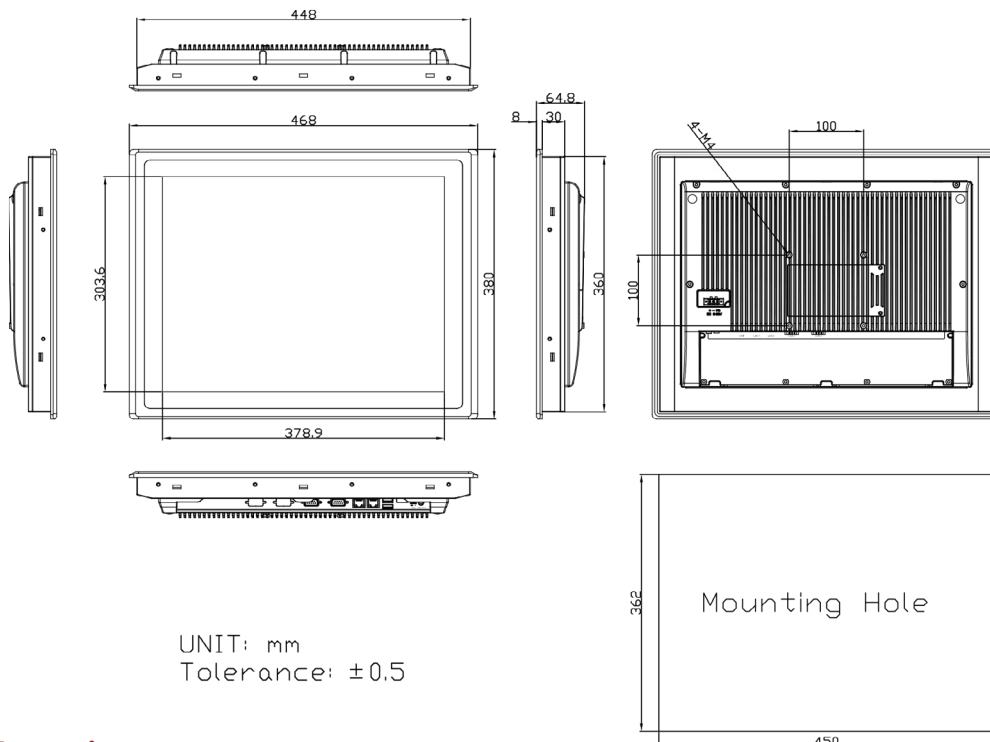




19" Intel Celeron N2930/Atom E3845 Fanless Industrial Panel PC

Features

- 19" Industrial Compact Size Panel PC
- Intel Celeron N2930(1.83GHz) CPU built-in / Atom E3845(1.91GHz) for option
- Onboard 4GB DDR3L 1333MHz/ 8GB(option)
- Flat Front Panel Touch Screen and Fanless Design
- DC 9~36V Wide-Ranging Power Input
- IP66 Compliant Front Panel
- Optional Projected Capacitive Touch Screen Support 7H Anti-Scratch Surface
- High Brightness 1,000 nits for option



Ordering Information

R19-R	19" SXGA Fanless Panel PC with Intel N2930 1.83G CPU, 4GB DDR3L RAM, Resistive touch screen, DC 9~36V input with adapter, Aluminum chassis
R19-P	19" SXGA Fanless Panel PC with Intel N2930 1.83G CPU, 4GB DDR3L RAM, Projected Capacitive touch screen, DC 9~36V input with adapter, Aluminum chassis
R19-RH	19" SXGA Fanless Panel PC with Intel N2930 1.83G CPU, 4GB DDR3L RAM, Resistive touch screen, DC 9~36V input with adapter, Aluminum chassis, 1,000 nits LCD
R19-PH	19" SXGA Fanless Panel PC with Intel N2930 1.83G CPU, 4GB DDR3L RAM, Projected Capacitive touch screen, DC 9~36V input with adapter, Aluminum chassis, 1,000 nits LCD

Model		R19	
System	CPU	Intel Celeron N2930 Processor (2M Cache,1.83GHz) Atom E3845 Processor (2M Cache,1.91GHz)	
	Memory	Onboard 4GB DDR3L SDRAM, up to 8GB (option)	
	System Chipset	SoC	
I/O Port	USB	2 x USB 3.0 type A	
	Serial / Parallel	1 x DB-9 RS-232/422/485, COM1 (Default RS-232) 1 x RS-232 DB-9, COM2	
	Audio	1 x Audio Line Out	
	LAN	2 x GbE LAN RJ-45	
	Power	1 x 3-pin DC power input terminal 1 x 2-pin connector for power on/off button	
	Option	VESA Stand 4G LTE/WiFi/ BT 4 x USB 2.0 type A 4 x USB 2.0 type A + 1 x Mini-PCle + 1 x SIM slot 2 x COM (RS-232) 1 x COM (RS-232) + 2 x USB 2.0 1 x COM (RS-232) + 2 x USB 2.0 + 1 x Power Button 2 x COM (RS-232) + 1 x Mini-PCle slot + 1 x SIM slot 2 x COM (RS-422/485, isolated) 2 x CAN 1 x LAN + 2 x USB 2.0 type A 1 x LAN(45W isolated PoE PD) + 2 x USB 2.0 type A Backup Battery 21W/10.8V/1.95Ah(3S1P) System is only allowed to build in either PoE series or backup battery	
Storage Space	HDD	1 x 2.5" SATA3 HDD space	
	Movable Device	1 x Micro SD card slot, up to 32GB	
Expansion	Onboard Expansion bus	1 x Mini-PCle slot (full size) 1 x Micro SIM slot	
Touch Screen	Type	Resistive Touch Projected Capacitive Touch (for P model)	
	Interface	USB	
	Light Transmission(%)	Resistive Touch: 80% Projected Capacitive Touch: 90%	
Mechanical	Construction	Aluminum Die-casting Chassis	
	Mounting	Panel Mount, VESA 100 x 100	
	Dimensions (WxHxD)	468 x 380 x 64.8 mm	
	IP Rating	IP66 Compliant Front Bezel	
	Net Weight	6 kg	
Power	Power Input	DC 9~36V	
	Power Consumption	R19-P : 42W (MAX)	
Environmental	Operating Temperature	0~50°C/ -20~60°C (option)	
	Storage Temperature	-30~70°C	
	Humidity	10 to 90%@ 40°C, non-condensing	
	Certificate	CE/FCC Class A/CB/UL	
Display		Standard	High Brightness Optional
	Display Type	19" TFT-LCD	19" TFT-LCD
	Max. Resolution	1280 x 1024	1280 x 1024
	Max. Color	16.7M	16.7M
	Luminance (cd/m2)	350	1000
	View Angle	170(H)/160(V)	170(H)/160(V)
	Contrast	1000:1	1000:1
	Backlight Lifetime	50,000 hrs	50,000 hrs
Operating System Support	Windows 10 IoT		