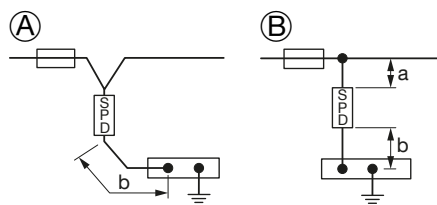
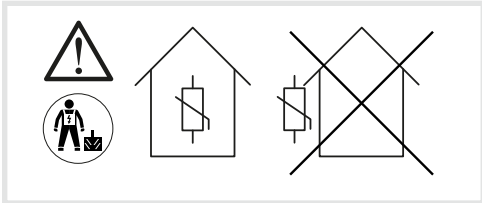


- (DE) Überspannungsableiter
- (EN) Surge protective device
- (FR) Parafoudre
- (PL) Ogranicznik przepięć (SPD)

SPA911(TT/TN-S), SPA930 (TN-C), SPA931 (TT/TN-S) , SPA932 (TT/TN-S)



DIN VDE 0100-534 IEC 60364-5-53	(A)	b	≤ 0,5 m
	(B)	a + b	≤ 0,5 m



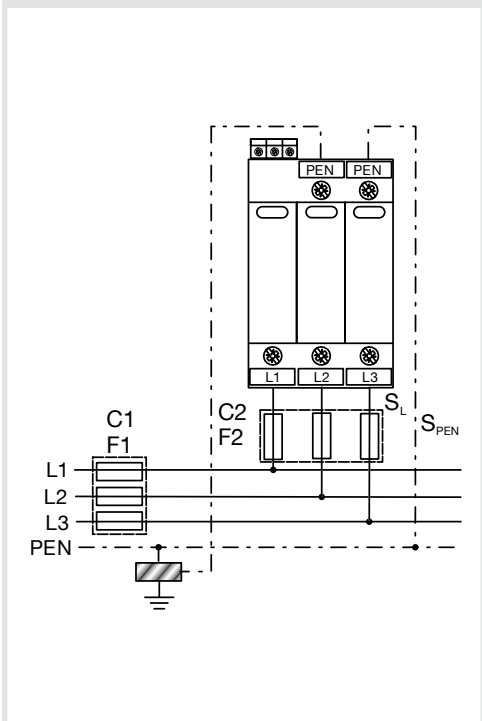
3 Nm (1.5-16 mm²)
4.5 Nm 25-35 mm²

	16 mm	16 mm
min. L, N, PE, ⚡	1,5 mm ²	
max. L, N, PE, ⚡	25 mm ²	35 mm ²

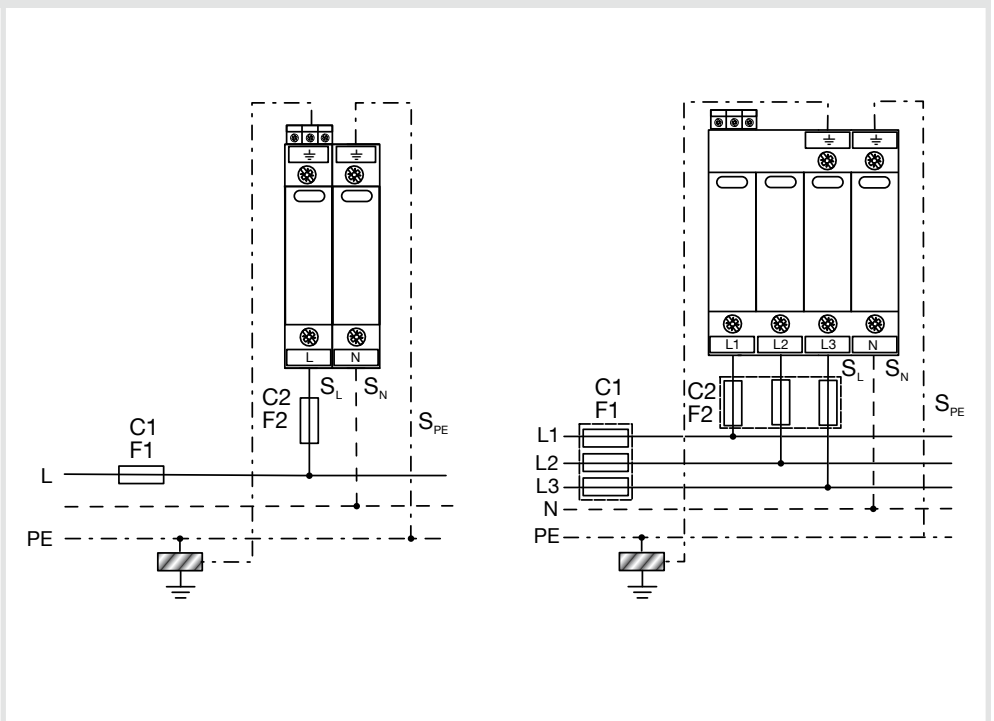
EN 61643-11 IEC 61643-11	Typ/type 1 + Typ/type 2 Class I + Class II
U _n	240/415V (50/60Hz)
U _c	335V (L-N); 264V (N-PE)
Humidity/ Wilgotność	5%...95%
9°C	-40/+80 °C
Ports/ Liczba przyłączy	1
IP code/ Stopień ochrony IP	20 (built in)
max parallel/ równoległe	160A gG
I _{max} (8/20 μs)	50 kA

	L x W x H (mm)	I _{imp} (10/350 μs) L-N/N-PE	I _n (8/20 μs)	U _p	I _{scrr}	I _{pe}	Cartridge/Modulu
SPA911	77.5x35.6x98.7	12.5kA/50kA	12.5kA/50kA	L-N ≤ 1,2 kV N-PE ≤ 1,7 kV	25 kA _{rms} I _n (N-PE) = 100A _{rms}	< 5 μA	1 1 Ph + N + 1 x SPA090 1 1 x SPA090N
SPA930	77.5x53.4x98.7	12.5kA	12.5kA	L-PEN ≤ 1,2kV	25 kA _{rms}	< 2400 μA	3 3 Ph + 3 x SPA090
SPA931 SPA932	77.5x71.2x98.7	12.5kA/50kA	12.5kA/50kA	L-N ≤ 1,2 kV N-PE ≤ 1,7 kV	25 kA _{rms} I _n (N-PE) = 100A _{rms}	< 5 μA	3 3 Ph + N + 3 x SPA09x 1 1 x SPA09xN

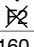
TNC (SPA930)



TT/TNS (SPA911, SPA931, SPA932)



Backup Fuse

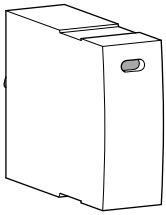
F1	$F1 \leq 160 \text{ A/gG}$ 
F2	$F1 > 160 \text{ A/gG}$ $F2 \leq 160 \text{ A/gG}$

F1 A/gG	F2 A/gG	$S_L = S_N$ mm ²	$S_{PE(N)}$ mm ²
25		10	16
35		10	16
40		10	16
50		10	16
63		10	16
80		10	16
100		16	16
125		16	16
160		25	25
> 160	160	25	25

Backup Hager MCB (Isc = 10 kA)



C1	$C1 > 63 \text{ A/gG}$ 
C2	$C1 \leq 63 \text{ A/gG}$ 

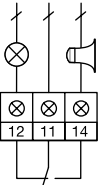
SPA911, SPA930, SPA931, SPA932



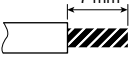
Rot/Red/Rouge/Czerwony  Replace / Wymiana


SPA911, SPA930, SPA931



 0,25 Nm



U max./I max. AC :	250V/1,5A 125V/1A (UL)
U max./I max. DC :	30V/1A
0,14 - 1,5 mm ² AWG 28 - 16	


7 mm


7 mm

SPA090 (L - N), SPA090N (N - PE), SPA091 (L - N), SPA091N (N - PE)

