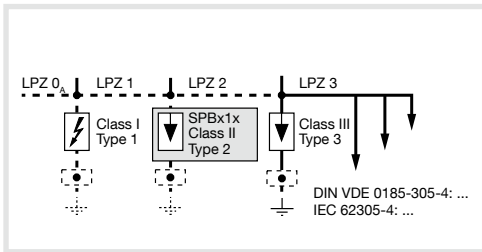
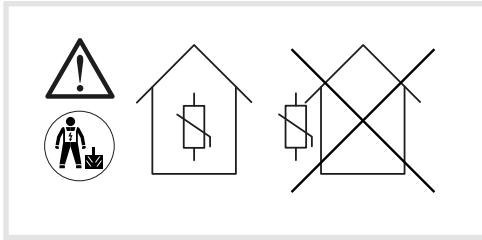
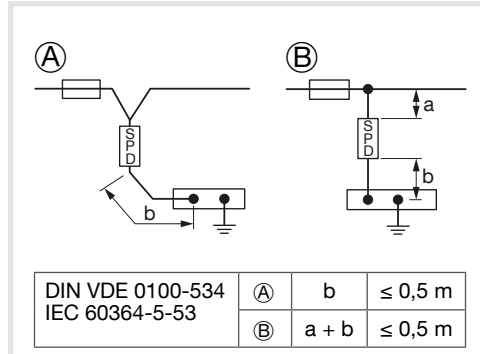


- (DE) Überspannungsableiter
- (EN) Surge protective device
- (FR) Parafoudre
- (CS) Svodič přepětí

## SPB115, SPB213, SPB215, SPB315, SPB413, SPB415



<b>EN 61643-11</b> <b>IEC 61643-11</b>	Type 2 Class II
<b>U<sub>n</sub></b>	240/415V (50/60 Hz)
<b>U<sub>c</sub></b>	275V (L-N); 260V (N-PE)
<b>I<sub>ri</sub></b>	100A <sub>rms</sub>
<b>Humidity</b>	5%...95%
<b>9°C</b>	-40/+80°C
<b>Ports</b>	1
<b>IP code</b>	20 (built in)

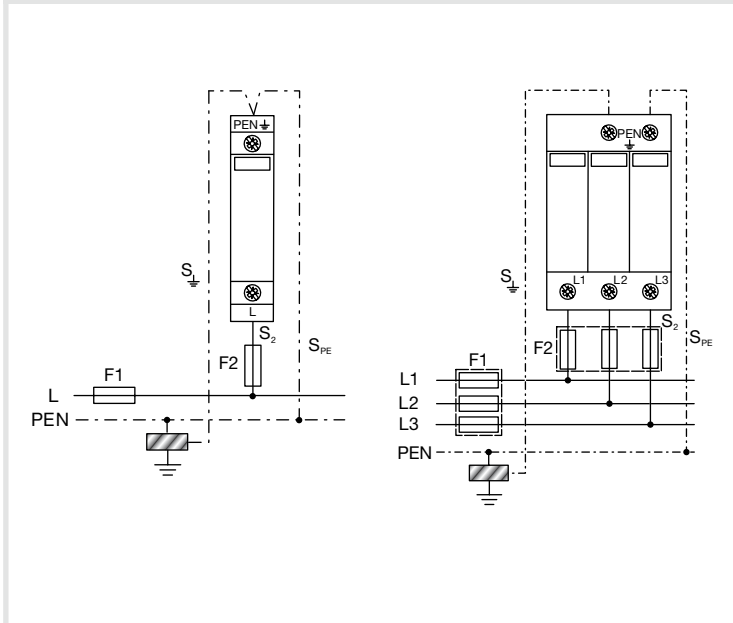


3 Nm (1,5-16 mm<sup>2</sup>)  
4.5 Nm 25-35 mm<sup>2</sup>)

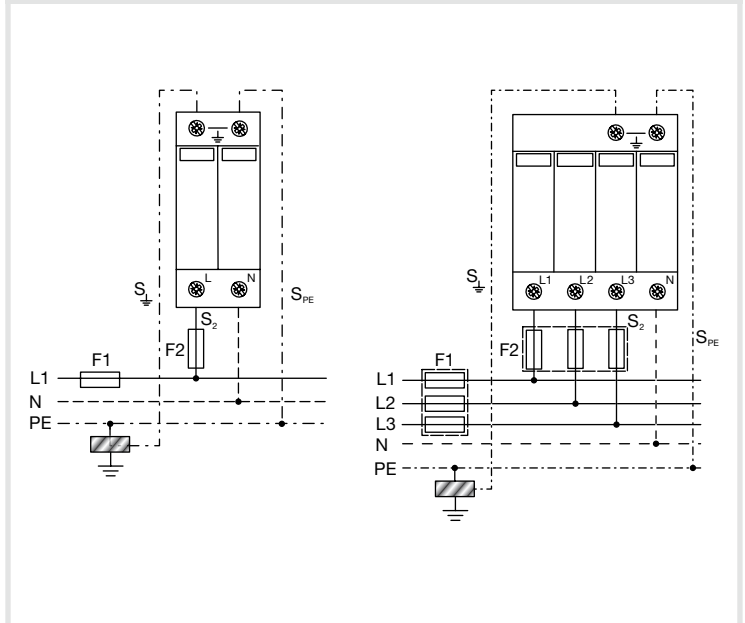
min. L, N, PE, ≡	1,5 mm <sup>2</sup>
max. L, N, PE, ≡	25 mm <sup>2</sup> 35 mm <sup>2</sup>

	L x W x H (mm)	I <sub>max</sub> (8/20 μs)	I <sub>n</sub> (8/20 μs)	U <sub>p</sub>	I <sub>scrf</sub>	max. parallel	I <sub>pe</sub>	
<b>SPB115</b>	65.7 x 17,5 x 98.7	40kA	20kA	≤ 1,35 kV	25kA <sub>rms</sub>	125 AgG	<0,45 mA	
<b>SPB213</b>	65.7 x 35.6 x 89.8	40kA	20kA	L-N ≤ 1,35 kV N-PE ≤ 1,5 kV	25kA <sub>rms</sub>	125 AgG	<5 μA	
<b>SPB215</b>	65.7 x 35.6 x 98.7							
<b>SPB315</b>	65.7 x 53 x 98.7	40kA	20kA	≤ 1,35 kV	25kA <sub>rms</sub>	125 AgG	<0,45 mA	
<b>SPB413</b>	65.7 x 71 x 89.8	40kA	20kA	L-N ≤ 1,35 kV N-PE ≤ 1,5 kV	25kA <sub>rms</sub>	125 AgG	<5 μA	
<b>SPB415</b>	65.7 x 71 x 98.7							

### TNC (SPB115 (1+0), SPB315 (3+0))



### TT/TNS (SPB215, SPB213 (1+1), SPB413, SPB415 (3+1))

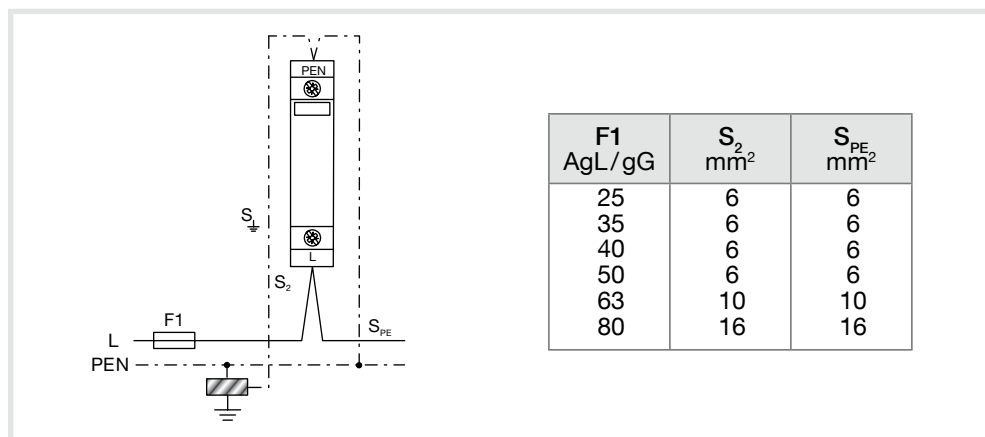


## Backup protection/Vorsicherung

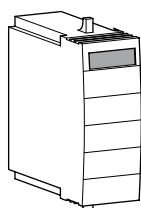
Parallel connection/ Stich-Verdrahtung	SPB115 SPB215, SPB315, SPB413, SPB415
F1 $\Phi$	F1 $\leq$ 125 AgG $\downarrow$ $\cancel{F2}$
F2 $\Phi$	F1 $>$ 125 AgG $\downarrow$ F2 $\leq$ 125 AgG

F1 AgL/gG	F2 AgL/gG	S <sub>2</sub> mm <sup>2</sup>	S <sub>PE</sub> mm <sup>2</sup>
25		6	6
35		6	6
40		6	6
50		6	6
63		10	10
80		10	10
100		16	16
125		16	16
> 125	> 125	16	16

## V-Type connection/V-Verdrahtung



SPB115, SPB213, SPB215, SPB315, SPB413, SPB415



Rot/Red/Rouge/Červená Replace

SPB115, SPB215, SPB315, SPB415

PZ2  
0,25 Nm

U max./I max. AC :	250V/1,5A
U max./I max. DC :	30V/1A

0,14 - 1,5 mm<sup>2</sup>  
AWG 28 - 16

7 mm

7 mm

SPB015, SPB015N

