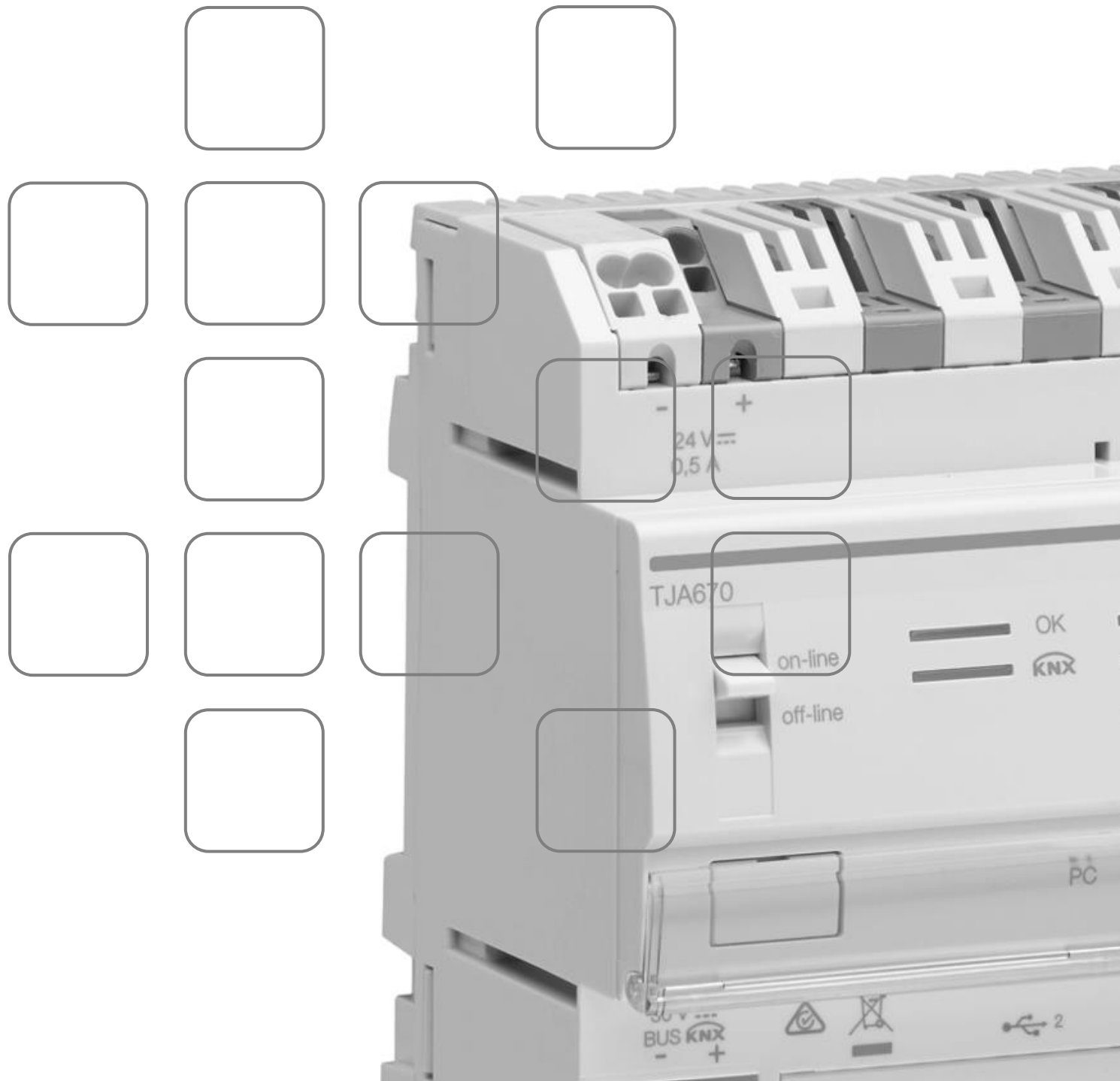


(EN) TJA670 domovea Basic
TJA470 domovea Expert



CONTENTS

1 INTRODUCTION	4
1.1 Purpose of the document	4
1.2 General information on the KNX installations	4
2 GENERAL DESCRIPTION	5
2.1 Introduction to the system	5
2.2 System overview	5
2.3 The domovea solution	6
2.4 Introduction to the domovea TJA670-TJA470 server	6
2.4.1 The configuration server	6
2.4.2 Software version update for the domovea server	7
2.4.3 Auto/Router functionality	8
2.4.4 Technical specifications	9
2.5 Software installation	10
2.5.1 Installing the Hager Pilot application	10
2.5.2 Launching the Hager Pilot application	10
2.5.3 Accessing the configurator without using hager Pilot	10
2.5.4 Logging onto the server	10
2.6 Using the system	11
2.6.1 Installing the domovea Client application	11
2.6.2 Launch the domovea application	11
2.6.3 Log in using the domovea application	11
2.7 Connection using the KNX / IP bridge	12
3 FIRST USE	13
3.1 New project	13
3.2 From a backup file	13
3.3 Using relearning	13
4 MY PROJECT	14
5 RELATED FUNCTIONS IN THE MENUS	15
5.1 Account configuration	15
5.2 Settings	15
5.2.1 Configuration	15
5.2.1.1 Update	15
5.2.1.2 Network	16
5.2.1.3 Remote access	16
5.2.1.4 Time management	16
5.2.1.5 domovea	17
5.2.1.6 Easytool	17
5.2.2 Users	17
5.2.2.1 The transfer of administrators' rights	17
5.2.2.2 The creation and management of additional accounts	17
5.2.3 Data management	18
5.2.4 About	18
6 MY DOMOVEA INSTALLATION	19

6.1	Dashboard	19
6.2	Installation.....	20
6.2.1	Devices.....	20
6.2.2	Groups	20
6.3	Automations	21
6.3.1	Sequences	21
6.3.2	Home status	22
6.4	Measures	23
6.4.1	Measures.....	23
6.4.2	Subscriptions.....	23
6.5	Managing user rights	24
6.6	Configuration.....	24
7	LIST AND DETAILS OF DEVICES	25
7.1	KNX devices	25
7.1.1	Comfort.....	25
7.1.2	Access security.....	26
7.1.3	Sensors	27
7.1.4	Energy.....	27
7.1.5	Generic.....	28
7.2	Cameras	28
7.3	IOT devices.....	28
7.3.1	Philips Hue	28
7.3.2	Sonos.....	29
7.3.3	Netatmo.....	29
7.4	Additional connectivity control point.....	29
7.4.1	Alexa	30
7.4.2	Google Home	30
7.4.3	IFTTT	30

1 INTRODUCTION

1.1 Purpose of the document

The purpose of this document is to familiarise the domovea server installer with the configuration interface. This document sets out the steps for the installer to perform this configuration. To do this, the following conditions are generally required:

- the physical installation must be carried out,
- the server must be connected to the Internet via a router with the DHCP server function activated,
- the installer must be equipped with a mobile device (smartphone, tablet, PC) connected to the same network as the server,
- the installer must have a company account on the myHager portal.

Note: We strongly recommend the installer has their own DHCP router (Wifi + 3G/4G) to perform the configuration and tests on the system locally (via Wifi) or over the Internet (via 3G/4G).

1.2 General information on the KNX installations

A KNX installation is an electrical installation in which products communicate between themselves via a wired bus or radio to send or receive commands.

A KNX installation comprises different types of products that can be classed:

- According to their connection with the KNX bus:
 - Wired products: they are connected to the KNX bus by a cable that meets the KNX specifications.
 - Radio products: they are connected to the bus by a radio connection that meets the KNX radio specifications. The radio communication can be:
 - a) One-way: the products are senders only.
 - b) Two-way: the products are both senders and receivers.
- According to their function in the installation
 - Input products: they send commands (push-buttons, switches, motion detectors, etc.). An input product can have several input channels: push-buttons with several switches, etc.
 - Output products: they receive commands and activate the connected applications (lighting, roller shutters, etc.). An output product can have several output channels: lighting output module with 6 channels to run 6 lighting circuits, etc.
 - Systems products: they are necessary for the correct operation of the installation: power supply to the bus, wired bus/radio bus media coupler, etc.

TJA670 domovea Basic

TJA470 domovea Expert

2 GENERAL DESCRIPTION

2.1 Introduction to the system

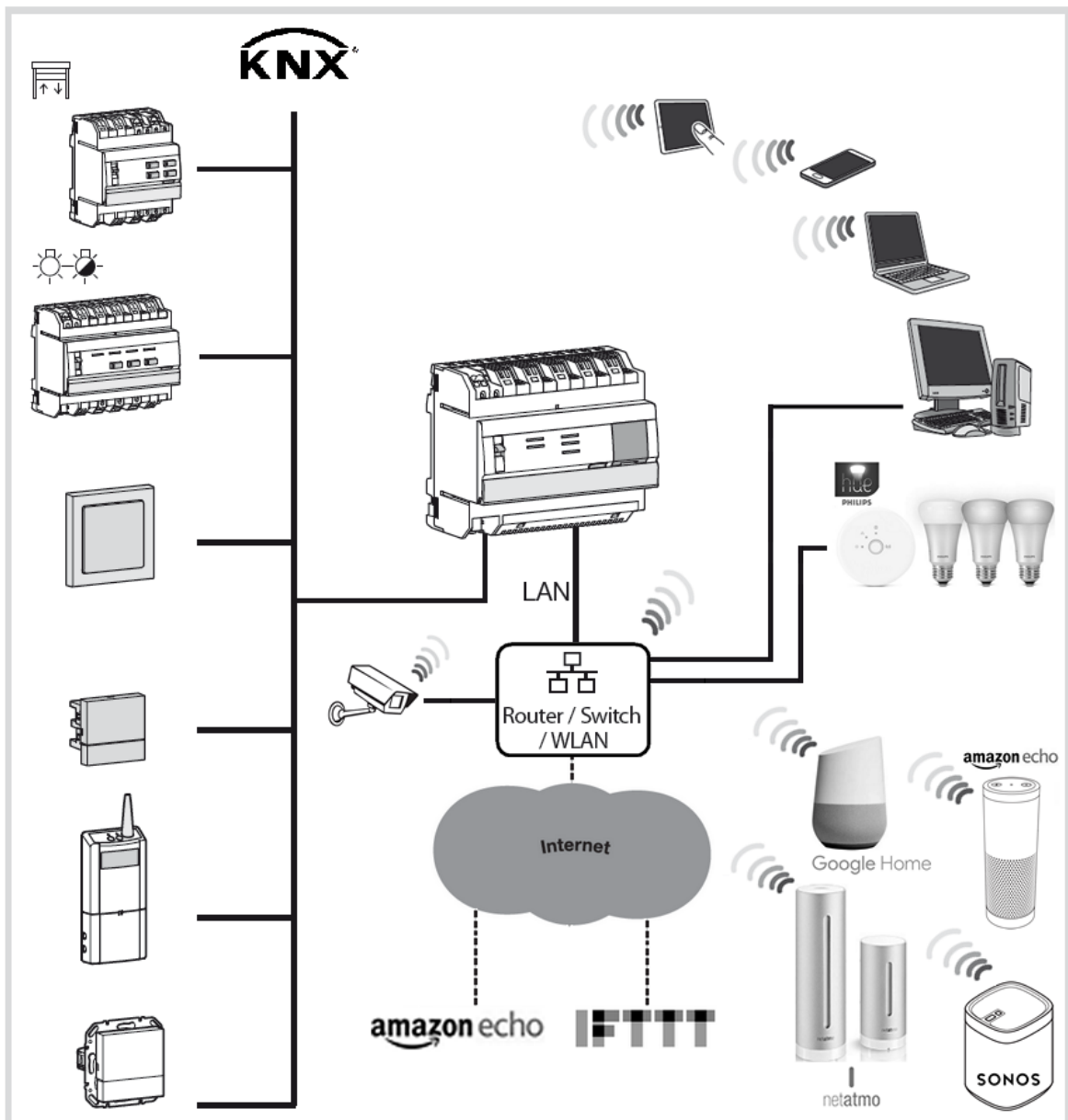
domovea is the command and display software for KNX and IoT installations. It enables access to all of the home automation functions from the computer terminals (smartphone, tablet, PC, etc.) in the home. In addition to the usual controls, there are new functions for comfort and security: triggering sequences (sequence of programmed or immediate actions), changing the configuration of the house according to events or periods, using images to visualise the correct execution of past or current commands, with a single click.

2.2 System overview

The domovea system is comprised of three modules:

- The Server: A TJA670 or TJA470, a physical interface between the KNX bus and the local network in the home.
- The Client: This software is the client interface. It must be installed on a smartphone, tablet or PC.
- The Configurator: This software is used to configure and program the client interface. It enables access to the server from a PC, smartphone or tablet via the **hager Pilot** application or a web browser.

The following diagram describes the physical architecture of a domovea installation:



TJA670 domovea Basic

TJA470 domovea Expert

2.3 The domovea solution

The domovea server has 2 solutions:

- domovea basic, offering basic features
- domovea expert, offering more advanced features

Below is a summary table:

Function	TJA670 (domovea basic)	TJA470 (domovea expert)
Integrated KNX Easytool	Yes	Yes
Number max. of KNX and IoT appliances	500	500
Number max. of IP cameras	5	50
Google, Alexa, IFTTT services	Yes	Yes
Number of user sequences (client)	50	50
Number of advanced sequences (configurator)	No	100
User rights management	Yes	Yes
User personalisation	Yes	Yes
Installer and client remote access	Yes	Yes
KNX / IP bridge	Local access only	Local and remote access
Regulation – Number of Thermostat	No	10
Doorphone integration	No	Yes

i The KNX / IP bridge allows parameterization of the KNX installation with ETS software over an IP connection.

2.4 Introduction to the domovea TJA670-TJA470 server

2.4.1 The configuration server

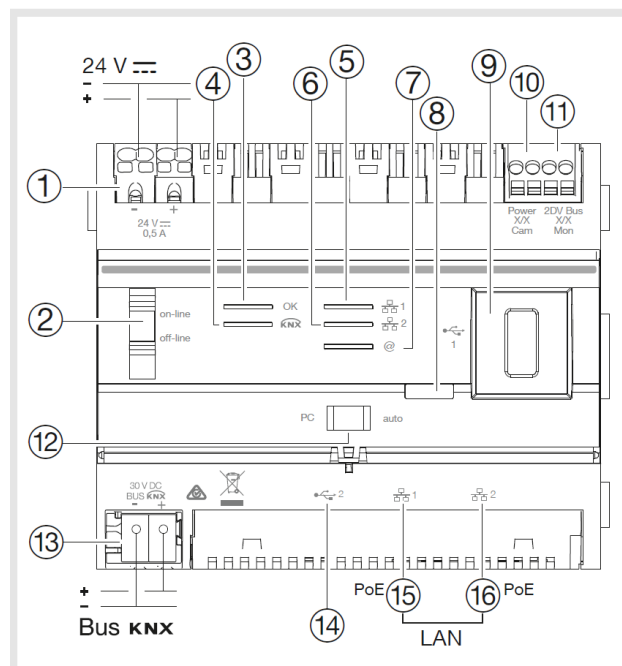
The server is a piece of equipment that creates a link between an IP environment and the KNX bus systems. It involves the use of two applications, the first being the Hager configuration application, Pilot, and the second being the domovea application for the end user.

The product is connected:

- on the one hand by a KNX bus via a connector **13**;
- on the other hand by a local IP network via one of the two Ethernet ports **15** **16**.

OS compatibility:

For **Hager Pilot** and **domovea**, the version must be no earlier than: iOS 11 or Android 6



TJA670 domovea Basic

TJA470 domovea Expert

The following table summarises the meaning of each LED

LED function	LED ref	Status	Description
Power	③	Off	No power
		Blinking green	Product start-up phase
		Green light is on	Product on
		Blinking red	Product powered by reserve (10 s. max.)
		Red light is on	Software loading error
Ethernet 1 and 2	⑤and⑥	Off	No network (or operating on power reserve (10 s. max.))
		Blinking green	No DHCP server detected, operating on fallback IP address
		Green light is on	Network detected and IP address allocated
		Red light is on	IP address conflict
		Blinking red	Waiting for IP address allocation
Remote access	⑦	Off	No remote connection (deactivation via software)
		Blinking green	Attempt to establish remote connection
		Green light is on	Remote connection operational
		Red light is on	Error in establishing remote connection

2.4.2 Software version update for the domovea server

i It is mandatory to update the domovea server software version before any first use.

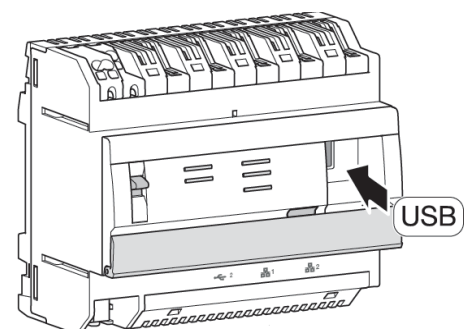
There are 2 ways to update:

Automatic: Configuration tool connector in an Internet box. Connection to the network and the remote server is made automatically for the update (see Chapter [5.2.1.1 Update](#))

Manually: The update file is available on the Hager site.
To update the domovea server software version:

- Take a blank USB key.
- Copy the update file to the USB key,
- Insert the USB key into the USB ports of the configuration server. The "OK" LED flashes for approximately one minute then remains on.
- Remove the USB key.

The server is updated with the new software version.



TJA670 domovea Basic

TJA470 domovea Expert

2.4.3 Auto/Router functionality

The 2 Ethernet ports can be used interchangeably to connect the server to the local network. These 2 ports are 2 switched ports connected to the same logical interface on the TJA670-TJA470 (switch).

Switches		Ethernet port behaviour			
COM [®]	SEL	Ethernet Port 1	Ethernet Port 2	Internet connection status	Bus status KNX
Online	Auto	<p>This is the normal operating mode for the TJA670- TJA470 when it is connected to an external router (ISP box).</p> <p>The interface is configurable with a DHCP client or fixed IP address.</p> <ul style="list-style-type: none"> - With a client DHCP (default factory set mode), the server waits for an IP address coming from a DHCP server connected to the network (the router). If, after 40 seconds, no address has been attributed, the server automatically takes the fallback address: 192.168.0.253 / 255.255.255.0. - With a static IP address, the server immediately recognises the settings defined in the “Configuration-Network” tab in the configurator settings menu: <ul style="list-style-type: none"> - Interface IP address - Sub-network mask - Default server address <p>N.B. with a fixed IP address, the module does not automatically switch to the fallback address if there is an IP address conflict on the network (other device already using the IP address defined).</p>		active	active
	PC	<p>To use when a PC is directly connected to the server. This mode activates the DHCP server built into the module. The 2 ports are interchangeable and configured with the following parameters:</p> <ul style="list-style-type: none"> - Interface IP address: 192.168.0.253 - Sub-network mask: 255.255.255.0 - Default server address: 192.168.0.1 - range of IP addresses that can be attributed by the TJA670-TJA470 DHCP server: 192.168.0.10 to 192.168.0.50 		active	active
Offline	Auto / PC	<p>This mode is a fallback mode in which the server interface is configured in DHCP client mode.</p> <ul style="list-style-type: none"> - If no IP address is attributed by a DHCP server after a wait of 40 seconds, the server automatically assumes the following fallback address: 192.168.0.253 / 255.255.255.0. 		inactive	inactive

TJA670 domovea Basic

TJA470 domovea Expert

2.4.4 Technical specifications

KNX power supply	KNX bus TBTS 30 V $\overline{\text{---}}$
Consumption on the bus line	10 mA max - 30 V $\overline{\text{---}}$
External power supply ^① or PoE ^⑮ ^⑯	24 V to 30 V $\overline{\text{---}}$ via Hager SELV power supply TGA200 type or via PoE
Standard/Standby consumption on the 2-wire bus	35 mA / 12 mA - 24 V $\overline{\text{---}}$
Max consumption on the auxiliary power supply	760 mA max - 24 V $\overline{\text{---}}$
Standby consumption on the 24 V Ethernet and non-connected USB	330 mA
Maximum dissipation (24 V output)	10 W without USB, 15 W with 2 USB max
PoE power supply consumption	PoE Class 3: 13 W
Ethernet network communication	2 x 100/1000 BaseT
Max 24 V power cable length	10 m
Bus connection ^⑩ ^⑪	0.2 – 1.5 mm ²
Power supply socket ^①	0.75 - 2.5 mm ²
Ethernet/IP network socket ^⑮ ^⑯	2 x RJ45
Operating T°	-5°C to + 45°C
Storage T°	- 20°C to + 70°C
Width (REG)	6TE
Dimensions (L x H x D)	106 x 90 x 67 mm
USB2 Interface ^⑨ ^⑭	2
Installation method	DIN rail (EN60715)
Operating altitude	< 2000 m
Pollution level	2
Surge voltage	4 kV
Protection ratings	<ul style="list-style-type: none"> • box: IP20 • box under faceplate: IP30
Impact resistance	IK04

TJA670 domovea Basic

TJA470 domovea Expert

2.5 Software installation

2.5.1 Installing the Hager Pilot application

- **On a mobile device:**
 - find and download the **hager Pilot** application from the *App Store*® or *Google Play Store*®,
 - install the **hager Pilot** application; an icon will appear on the screen.
- **On Windows PC:**
 - find and download the **hager Pilot** application from the Hager website,
 - install the **hager Pilot** application; an icon will appear on the screen.



hager Pilot



hager Pilot

2.5.2 Launching the Hager Pilot application

Locally connect the mobile or stationary equipment to the network on which the server is connected

- launch the hager Pilot application. A selection window of servers is displayed,
- select server TJA670-XXXXX or TJA470-XXXXX.

If the server does not appear on the list,

- click **Add a server**,
- add the server by entering either:
 - The IP address
 - The name of the server (TJAxXX-xxxxxx)
 - The serial number

i To add a remote server (not connected to the local network), you must enter the serial number of the device. This is visible in the **Remote Access** menu where the serial number is contained in the address (For example: <https://kj4f6s8kvcywvd.domovea.com>, the serial number will be **kj4f6s8kvcywvd**).

You are connected to the server.

i For more information, please see tutorial **1 - Start and set up a domovea installation with Hager TJA670-TJA470** at www.hager.com/domovea.

2.5.3 Accessing the configurator without using hager Pilot

In some cases, the configurator must be accessed directly without using the hager Pilot application.

- **Using the web browser**

To connect in this way, the server IP address must be known: it is the address given by the local DHCP server if the switch ⑫ is set to “auto” (if the switch ⑫ is set to “PC”, launch the web browser and enter the default gateway IP address: 192.168.0.253).

- **Using the file browser**

The server supports the UPnP function. UPnP devices are displayed in Windows under the Network section. Double-clicking on the TJA670 or TJA470 icon opens the configuration interface in the web browser.

2.5.4 Logging onto the server

At this stage of installation, you can only log on with the administrator profile as only this account is active. The administrator access information is as follows:

- User name: **admin**
- Password: **1234**
- Click **Login**

TJA670 domovea Basic

TJA470 domovea Expert

2.6 Using the system

To use mobile devices or a PC with the server, they must have the domovea application

2.6.1 Installing the domovea Client application

The application is designed to operate with a tablet or smartphone.

- **On a mobile device:**
 - find and download the **domovea** application from the *App Store*[®] or *Google Play Store*[®],
 - install the **domovea** application; an icon will appear on the screen.
- **On Windows PC:**
 - find and download the **domovea** application from the Hager website,
 - install the **domovea** application; an icon will appear on the screen.



2.6.2 Launch the domovea application

Locally connect the mobile or stationary equipment to the network on which the server is connected

- launch the **domovea** application; a selection window of servers is displayed,
- select server TJA670-XXXXX or TJA470-XXXXX.

You are connected to the server via the **domovea** application.

2.6.3 Log in using the domovea application

At this stage of installation, you can only log on with the administrator profile as only this account is active. The administrator access information is as follows:

- User name: **admin**
- Password: **1234**
- Click **Login**

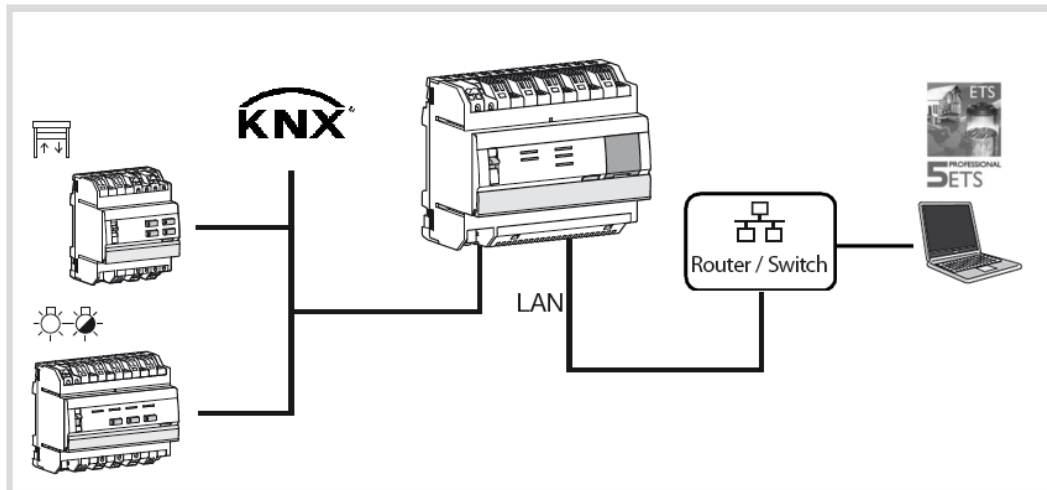
TJA670 domovea Basic

TJA470 domovea Expert

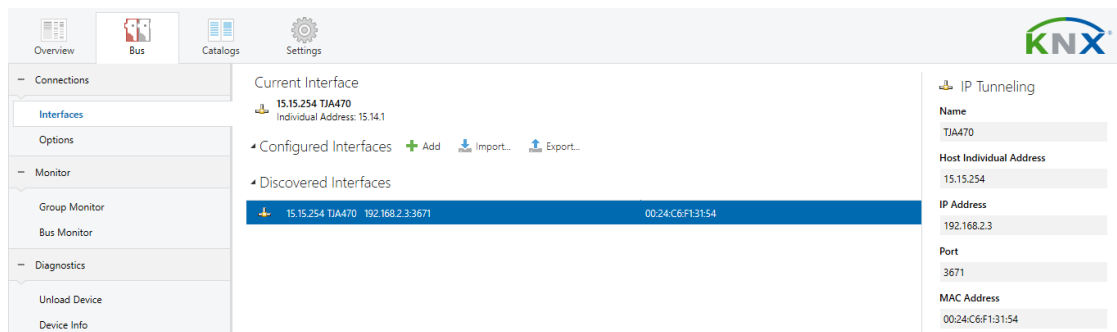
2.7 Connection using the KNX / IP bridge

The domovea server is used to connect via IP to the KNX bus for product configuration by ETS. It uses the KNXnet / IP standard and establishes communication between KNX lines and data networks using the Internet Protocol (IP).

Access to use the server as an IP bridge is done locally.



With ETS, the domovea server appears as a communication interface with the KNX bus.



TJA670 domovea Basic

TJA470 domovea Expert

3 FIRST USE

After selecting the server and during first use, there are 3 ways of starting the installation:

- by creating a new project,
- by importing a backup file,
- by relearning the installation,

3.1 New project

This enables the creation of a new installation authorising a manual configuration of domovea.

- click on **New project**,
- enter the name of the project

*Note: As an option, information related to the installation can be entered by clicking on **Client information***

 For more information, please see tutorial 2 - Create a new domovea project using Hager Pilot and the easytool at www.hager.com/domovea.

3.2 From a backup file

This enables the creation of a new installation from a backup file.

There are 5 file formats:

Configuration	File extension	Backup file
Easytool	*.txa	Installation configured with Easytool (TXA100)
TX100	*.txh	Installation configured with the TX100 configuration tool
domovea 1	*.ddb	domovea 1* configuration
domovea 2	*.hbox	domovea 2* configuration
ETS	*.knxproj	Installation configured with ETS (KNX configuration software)*

* Using the Easytool configuration tool is no longer possible.

- click **Import**,
- select the backup file.

 For more information, please see tutorial 3 - Import a .hbox project in domovea with Hager Pilot at www.hager.com/domovea.

3.3 Using relearning

This enables the creation of a new installation when there is no installation backup. This is possible by performing relearning on the installation.

Note: Only products known to the Easytool configuration tool will be included.

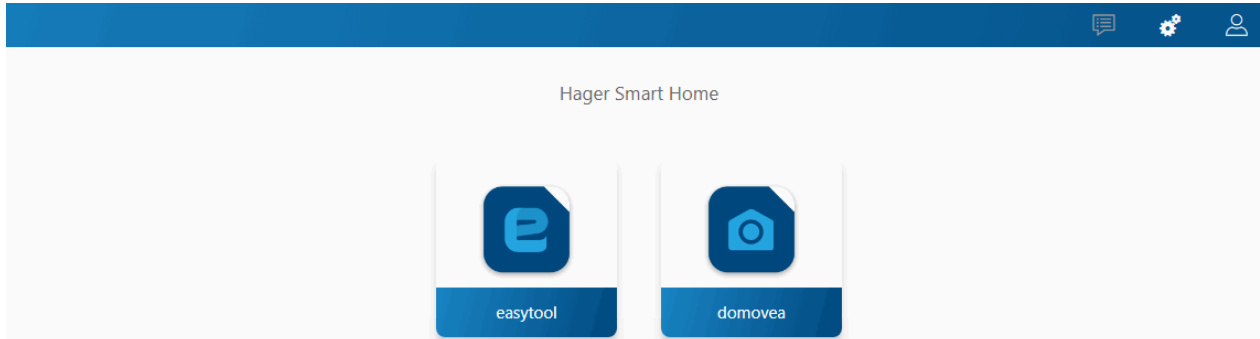
- click on **Relearn**.

TJA670 domovea Basic

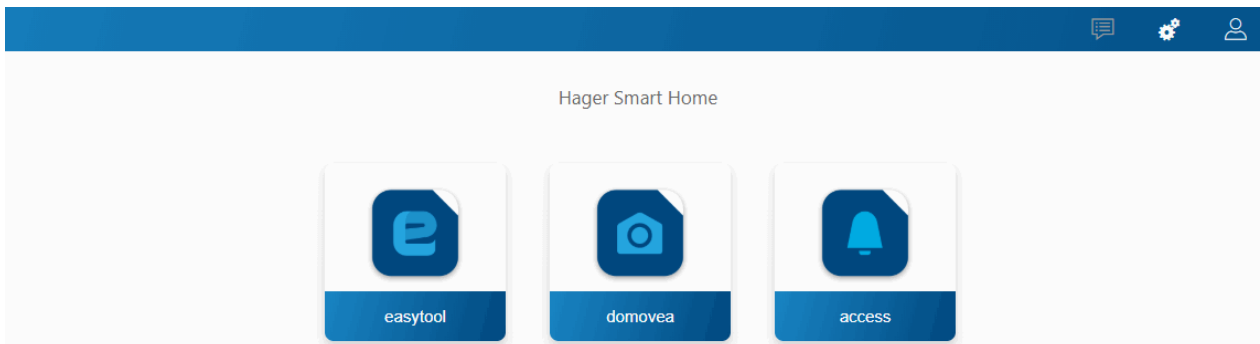
TJA470 domovea Expert

4 MY PROJECT

Project domovea basic TJA670



Project domovea expert TJA470



This enables the project to be configured:

- Using the Easytool configuration tool:
 - click on the **Easytool** symbol

A KNX product configuration window appears, enabling the installation to be configured.

i For more information, refer to the installer manual for the TXA100 configuration tool

- Using the Access configuration tool (**only with TJA470 Domovea Expert**):
 - click on the **Access** symbol

A configuration window appears, enabling the intercom application to be configured.

i For more information, refer to the TJA510 Gateway Configuration Manual

- Using the domovea configurator:
 - click on the **domovea** symbol

A configuration window appears, enabling the domovea client application to be configured.

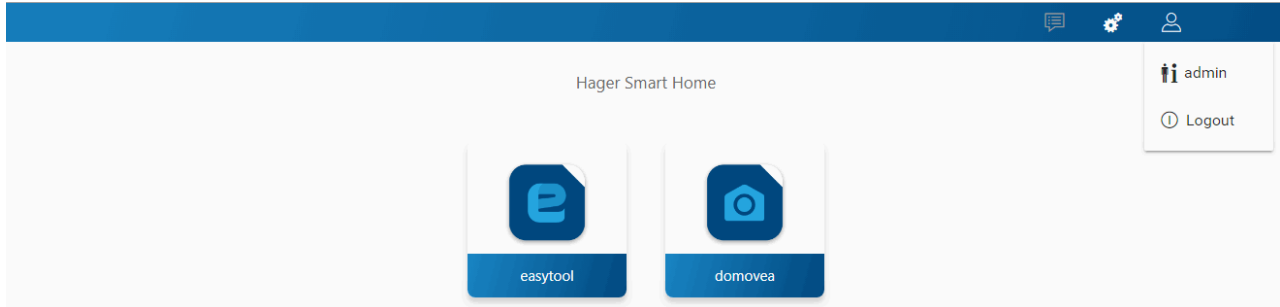
TJA670 domovea Basic



TJA470 domovea Expert

5 RELATED FUNCTIONS IN THE MENUS

5.1 Account configuration

This enables the connected user account to be configured. When you are connected, the general settings are accessible from the drop-down menu on the top right.

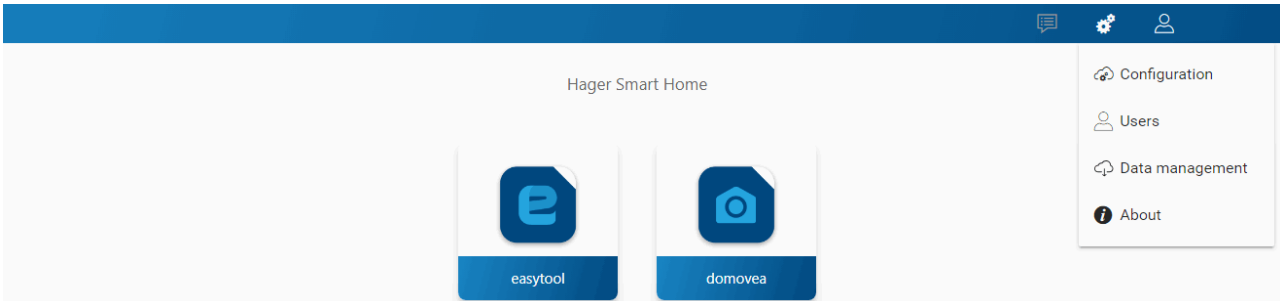


- click on , a drop-down menu appears,
- click on .

A window appears:

- the **Activation** field activates or deactivates the user profile,
- a **Description** free field enables information about the user to be added,
- an **Edit password** button enables the user password to be changed,
- the **Language** field enables the configurator language to be changed when the user connects to their profile,
- the **Time format** field enables the time format to be changed,
- click on **Save** to confirm your choices.

5.2 Settings



5.2.1 Configuration

This enables the product to be configured. When you are connected, the general settings are accessible from the drop-down menu on the top right.

- click on , a drop-down menu appears,
- click on **Configuration**.

5.2.1.1 Update

Click on **Update** to view the software versions:

- the server version (application software version),
- the BSP version (motherboard software version),
- the JVM version (JAVA virtual machine software version).

Under **Update** to select the update mode:

- **Automatically install updates**: the new software version will be installed automatically (default value: active),
- **Install update**: the new software version is installed manually,
- **Check for updates**: check whether a new software version is available,
- **Never check for updates**: the configuration server does not check whether a new software version is available (default value: not validated),
- click on **Save** to confirm your choices.

TJA670 domovea Basic

TJA470 domovea Expert

5.2.1.2 Network

Click on **Network** to view:

- the **Device name**, which you can change, if necessary,
- the **MAC address** of the configuration server,
- the **IP detection**: automatic or manual (depending on requirements),
- the **DNS server**: automatic or manual (according to requirements),
- click on **Save** to confirm your choices.

5.2.1.3 Remote access

Remote access enables connection to the configuration server and the client from a device connected to the Internet.

Click **Remote access** to view:

- the **Remote address** field: the http address link of the configuration server,
- **Use of remote access** (default value: activated): enables the installer to intervene remotely,
- click on **Save** to confirm your choices.

You can connect remotely using:

- hager Pilot or domovea client.
 - select server TJA670-XXXXX or TJA470-XXXXX.

If the server does not appear on the list,

- click **Add a server**,
- add the server by entering either:
 - The IP address
 - The name of the server (TJxxx-xxxxxx)
 - The serial number

i To add a remote server (not connected to the local network), you must enter the serial number of the device. This is visible in the **Remote Access** menu where the serial number is contained in the address (For example: <https://kj4f6s8kvcywvd.domovea.com>, the serial number will be **kj4f6s8kvcywvd**).

- a device connected to the Internet
 - launch the **WEB** browser,
 - in the address box, enter the pathway for remote access (for example: <https://kj4f6s8kvcywvd.domovea.com>),
 - the WEB browser launches at the login page. Enter the **User name** and **Password**.

i For more information, please see tutorial 4 – **Enable remote access with easytool and with domovea** at www.hager.com/domovea.

5.2.1.4 Time management

Click on **Time management** to view:

- the time zone that can be selected from the drop-down list,
- the Synchronisation with a time server (click **Yes** or **No** depending on requirements). By default, the configuration server is synchronised with the online **Time server** (NTP network):

Yes	No
Time server: enter the name of the time server (default: pool.ntp.org)	Date: enter the current date
	Time: enter the current time

- click on **Save** to confirm your choices.

TJA670 domovea Basic

TJA470 domovea Expert

5.2.1.5 domovea

Click on **domovea** to view:

- the **KNX address format**: Enables selection of the address format of KNX groups (**1 Level - 2 Levels - 3 Levels**).
- the **Currency symbol** : Enables the currency to be defined
- click on **Save** to confirm your choices.

5.2.1.6 Easytool

Click on **Easytool** to view:

- click on the **Enable configuration facilitation of input channels (Rocker function)**: Depending on the function type selected, the system will default to the additional function on the second input.
- click on the **Activate automatic discovery** field: the installation can be automatically scanned to discover a new product.
- click on the **Activation period** field: defines the duration between 2 automatic scans (default value: 10 min.)
- click on **Save** to confirm your choices.


5.2.2 Users

This manages the different administrator and user accounts. There are two types of operation:

- The transfer of administrators' rights
- The creation and management of additional accounts

5.2.2.1 The transfer of administrators' rights

Once the installer has finished configuration, he must send the administrators' rights to the owner.

- click on , a drop-down menu appears,
- click on **Users**.

A window opens, inviting you to transfer the rights:


- enter the email and password of the myHager account,
- enter the country where the system is installed,
- follow the instructions on the screen to finalise the transfer.

Note: Following the transfer of rights, the Admin account is no longer valid.

 For more information, please see tutorial **5 – Complete the handover process for a domovea installation** at www.hager.com/domovea.

5.2.2.2 The creation and management of additional accounts

Once the transfer of rights has finished, it is possible to create and manage additional accounts.


- click on , a drop-down menu appears,
- click on **Users**.

To create a new account:

- click on **New**,
- enter the email and password of the account,
- select the type of account: Installer – Referent user – Restricted user,
- select the account language,
- click on **Save** to confirm your choices.

To modify an existing account:

- select the account to modify,
- click on **Modify**,
- carry out the desired modifications,
- click on **Save** to confirm your choices.

 For more information, please see tutorial **6 – Add a new user in domovea** at www.hager.com/domovea.

TJA670 domovea Basic

TJA470 domovea Expert

5.2.3 Data management

This manages the configuration archives of domovea projects. The configuration archive files are stored in the server memory and can be downloaded by the user as an external backup.

- click on , a drop-down menu appears,
- click on **Data management**.

Click on **Installation reset** to reset the server. The current configuration will be deleted (the backups, users and network configuration will not be impacted).

Click on **Factory reset** to return to the factory configuration (all data will be reinitialised).

The **reference backup point** corresponds to the last installer backup. This backup is launched as a result of the transfer of rights and cannot be deleted. It restores the system to the point it was at when it was received by the final client.


- click on **Restore** to restore the reference configuration from the server,
- click on **Download** to backup the project to a file (*.hbox).

The **backup point** enables regular backup of the installation.

- click on **Save** to carry out a backup,
- click on **Restore** to restore the backed-up configuration from the server,
- click on **Download** to backup the project to a file (*.hbox).

5.2.4 About

In this menu, you will find information on the configuration interface software version, as well as disclaimers.

- click on  **About** to view the domovea software version,
- click on **Close** to exit.



6 MY DOMOVEA INSTALLATION

6.1 Dashboard

The **Dashboard** page can be used when an installation is selected:

- go to **Architecture** to display an overview of the installation elements
 - The number of groups
 - The number of devices
 - The number of valid or invalid automations
 - The number of active or inactive measures.
- to display the non-configured devices
- to display the non-configured automations

The screenshot displays the 'architecture' dashboard with the following data:

Category	Count	Status/Note
GROUPS	1	no empty group
DEVICES	18	
AUTOMATIONS	0	no invalid automation
MEASURES	14	no disabled measure

Below the summary cards, there are two sections:

- Unconfigured devices:** All devices are configured.
- Invalid automations:** All sequences are valid.

TJA670 domovea Basic

TJA470 domovea Expert

6.2 Installation

6.2.1 Devices

A device is a piece of equipment connected to a part of a KNX installation that can be controlled or viewed via the client domovea, such as lighting, shutters, heating, etc. (maximum 500 devices per installation)

i For products not recognised by the easytool configuration tool, domovea can only collect data from the installation products. It must verify that the KNX products that you wish to add to domovea offer tool formats compatible with the tools of the domovea devices

Click on **New device** to create a device:

- in the left column, select the device type (KNX – Camera- IoT),
- in the right column, select the device according to the type selected.

The device is created.

- configure the properties of the device if necessary,
- add the different group addresses for the KNX devices.

i For more information, please see tutorial **7- Add and configure a KNX device not discovered by easytool** at www.hager.com/domovea.

6.2.2 Groups

A group is a part of the installation composed of a room, a building floor, an area or part of a set of rooms, floors or areas (e.g. kitchen, living room, exterior).

The groups comprise the structure of the project (maximum 100 groups per installation)

Click on **New group** to start creating your project's links.

- rename the group directly in the field on the top right.

You can add a description if necessary.

Repeat the operation for each group

Once the groups are created, the devices must be assigned to each corresponding group.

- click on **All devices**,
- select one or more devices from the list,
- click on **Change the Group** at the top of the device list,
- select the group to which you wish to assign the selected device(s).

i For more information, please see tutorial **8 - Create groups in domovea using Hager Pilot** at www.hager.com/domovea.


TJA670 domovea Basic

TJA470 domovea Expert

6.3 Automations

(Only with TJA470 Domovea Expert)

Automations are not available in the configurator with the domovea Basic version (TJA670). They are available in the client application (domogram).

 For more information, please see tutorial **9a - Configure domograms in domovea** at www.hager.com/domovea.

6.3.1 Sequences

Sequences are used to create complex scenarios for executing functions conditioned or not by sensor states.

A sequence is characterized by:

- One or more **triggers**,
- One or more **conditions**,
- One or more **actions**.

A **trigger** makes it possible to evaluate, in a simple and fast manner, an event before carrying out a test of the condition.

Trigger type: on time schedule - Cyclic - On KNX event - On variable change - On device change - On measurement change.

A **condition** allows complex evaluation of different events in a more precise way. It is evaluated only when one of the triggers is valid. The evaluation can also be carried out using logical operator (AND, NAND, OR, NOR, XOR and XNOR)

An **action** is an operation on an output device. This device can be a device of the installation, a device group, another sequence or various other objects (Logic / Boxes / Tools).


The maximum number of allowed sequences is 100.

Click on **new** in the **Sequence** section to create a new sequence.

- rename the sequence directly in the field on the top right.

You can add a description if necessary.

- click **Add a trigger** to start configuring the sequence.
- select a trigger and configure the properties
- click **OK** to save your preferences.
- click **Add a condition** for a more accurate evaluation of the sequence.
- select one or more conditions and configure the properties
- click on **Save** to save your preferences.
- click **Add an Action** to configure the action performed by the trigger.
- select the devices or groups concerned.
- click on **Edit** to set the action to execute
- add other actions if necessary.

 For more information, please see tutorial **9b. Configure sequences in domovea** at www.hager.com/domovea.

TJA670 domovea Basic

TJA470 domovea Expert

6.3.2 Home status

Home Status is a general state of the house. It is possible to activate or deactivate sequences according to this status. Four home status are set by default and can be changed at will (Home - Absence - Night - Holiday). It is also possible to add up to four additional home statuses. The maximum number allowed is 8.

Click on **new** in the **Home status** section to create an additional home status for the project.

- rename the home status directly in the field on the top right.
- choose an icon for your home status.

You can add a description if necessary.

- click **Add a trigger**.
- configure the properties
- click **OK** to save your preferences.
- click on **Add** in the section **Sequences executed at the activation of the home status**.
- select the desired sequence
- add other sequences if necessary.

 For more information, please see tutorial **10. Configure a Home Status in domovea** at www.hager.com/domovea.

TJA670 domovea Basic

TJA470 domovea Expert

6.4 Measures

6.4.1 Measures

The domovea energy display function responds to a growing desire to reduce energy needs. After the data is acquired by the different KNX products, it is transmitted to the domovea server via the KNX TP bus.

The domovea server and software archives this data, which will, after processing, be displayed on a viewing device (tablet, smartphone, PC, etc.)

The maximum number of **Measures** devices permitted is 100.

A **Measures** device can be added:

- Automatically: Using the configuration tool, the system automatically recognises the product. The different devices are thus created.
- Manually: by adding an Energy device (electricity, gas or water)
To create a device, please refer to chapter [6.2.1 Devices](#)

Depending on the type of device, it is possible to assign a subscription.

6.4.2 Subscriptions

A subscription defines the cost of power consumptions for a given installation. It is comprised of one or more tariffs, which give the cost according to a given period (day, hour, etc.). The maximum number of permitted subscriptions is 10.

Click on **new** in the **Subscriptions** section to create a new subscription.

- select the type of subscription (electric – water - gas),
- rename the subscription directly in the field on the top right.

You can add a description if necessary.

- select **consumption** or **production** depending on the value of the subscription,
- click on **Use a subscription template** to select a pre-defined subscription.

Or

- click on **Add a tariff** to manually define the type of subscription,
- add other tariffs if required.



For more information, please see tutorial **11 - Set up energy tariffs to visualize the consumption in domovea** at www.hager.com/domovea.

TJA670 domovea Basic

TJA470 domovea Expert

6.5 Managing user rights


This enables you to define the access rights to the installation for different users. This can vary depending on the case, as shown in the examples below. Example 1: In a family residence, the young son must have access to his bedroom but not the other rooms.

Example 2: In a hotel, it is important that the receptionist is able to manage all of the rooms, but a customer in room "X" must not be able to access, or modify the parameters of, room "Y". He must not even be able to see them.

Click on **user rights**.

- select the user to manage,
- define the groups, devices and sequences accessible to the user.

To create a user account, please refer to chapter [5.2.2 Users](#)

 For more information, please see tutorial **12 - Manage the user rights in domovea** at www.hager.com/domovea.

6.6 Configuration

This is the same as the section on configuration from the project (please refer to chapter [5.2.1 Configuration](#))

TJA670 domovea Basic

TJA470 domovea Expert

7 LIST AND DETAILS OF DEVICES

This section lists all of the peripherals made available to the installation program to create a project.

7.1 KNX devices

7.1.1 Comfort

Devices	Actions	Display
Normal lighting	Switch on Switch off Set the brightness to x%	On Off Brightness at x%
RGB(T)(W) light	Switch on Switch off Set the brightness to x% Define the colour Set the white temperature (for example 4000°)	On Off Brightness at x% Colour White temperature
Connected socket	Switch on Switch off	On Off
Weather automation	Activate the façade shade x Activate the shade on all façades Deactivate the façade shade x Deactivate the shade on all façades Activate presence Activate absence	Façade shade x activated Shade activated on all façades Façade shade x deactivated Shade deactivated on all façades Heat protection activated Heat recovery activated Presence Absence
Roller shutters	Opening Closing Slats opened Slats closed Shutter in position x% Slats in position x%	Open Close Shutter position x% Slat position x%
Thermostat	Heating mode Cooling mode Comfort mode Eco mode Night mode Protection mode Set the heating setpoint temperature to x°C Set the cooling setpoint temperature to x°C	Current temperature x°C Heating mode Cooling mode Comfort mode Eco mode Night mode Protection mode Setpoint temperature x°C
Virtual Thermostat (Only with TJA470 Domovea Expert)	Open valve Closed valve Valve position in%	Comfort mode Eco mode Night mode Protection mode

TJA670 domovea Basic

TJA470 domovea Expert

Devices	Actions	Display
Overall control of heating	Switch on Switch off	On Off Status of the area x HVAC mode area x Current temperature of area x Load-shedding
Hot water	Variance Forcing	Variance activated Forcing activated
KNX scene	Launch scene x	Scene x launched
Forcing	Activate/deactivate forcing	Forcing activated/deactivated
Audio	Switch on Switch off Reading Pause Set the volume to x% Mute mode Repeat mode Random mode Next source (or playlist) Previous source (or playlist) Next title Previous title	On Off Current playback Pause Volume at x% Mute mode activated Repeat mode activated Random mode activated Current song Current playlist Current artist
Ventilation	Activate/deactivate the ventilation Set the speed level to x% Set turbo mode	Status indication Speed level is x% Turbo mode activated

7.1.2 Access security

Devices	Actions	Display
Alarm area	Arm Disarm	Armed Disarmed Intrusion detection
Alarm box	Arm the entire system Disarm the entire system Arm area x Disarm area x	Entire system armed Entire system disarmed Area x armed Area x disarmed Entrance protected Defect Silent alarm Intrusion Intrusion confirmed Alert Silent alarm Fire alarm Technical alarm

TJA670 domovea Basic

TJA470 domovea Expert

Devices	Actions	Display
Door striker	Open door	Door open

7.1.3 Sensors

Devices	Actions	Display
Temperature	N/A	Temperature at x°C
Wind	N/A	Wind at x km/h
Co2	N/A	CO2 at x ppm
Humidity	N/A	Humidity at x%
Brightness	N/A	Brightness at x lux
Binary input	N/A	On
Rain	N/A	Rain
Smoke detector	N/A	Smoke alarm Heat alarm Room alarm Detector status Local deactivation Manual test Service life Heartbeat
Weather station	N/A	Brightness at x lux Rain External temperature at x° Internal temperature at x° External humidity at x% Wind speed at x km/h

7.1.4 Energy

Devices	Actions	Display
Electricity	N/A	Power Energy Tariff
Gas	N/A	Flow rate Counter
Water	N/A	Flow rate Counter

TJA670 domovea Basic

TJA470 domovea Expert

7.1.5 Generic

Devices	Actions	Display
Generic ON/OFF device	Switch on Switch off	On Off
Command maintained	Switch on Switch off	On Off
Generic pulsed device	Switch on	On
Generic device	Writing of value x on the KNX bus	The value is equal to x

7.2 Cameras

This section describes the procedure for creating a link between a network camera and a domovea installation.

Click on **New device** to create a device:

- select **IP Camera** in the **Camera** section,
- click on **Discover cameras** to automatically browse the devices on the network,
- click on the **Add** button,
- change the name of the device if necessary,
- click on **Test** to check the camera image.

A camera can also be installed manually

- click on **Onvif** if your camera is compatible with this protocol,
or
- click **Generic** for all other types,
- change the name of the device if necessary,
- enter the configuration parameters for the connection.

 For more information, please see tutorial **13 - Add cameras in domovea with Hager Pilot** at www.hager.com/domovea.

7.3 IOT devices

domovea is also a monitoring tool for all smart connected devices in the home (IoT).

7.3.1 Philips Hue

This enables you to add a Philips Hue device to the domovea installation.

Click on **New device** to create a device:

- select **Philips Hue** in the **IoT** section,
- click on **Discover Philips Hue** if your lamp does not appear in the list,
- press the Link button on the Hue bridge so that the lamp is detected,
- click on the **Add** button,
- change the name of the device if necessary,
- complete the KNX group addresses if necessary.



 For more information, please see tutorial **14 - Control a Philips Hue lamp or bulb with domovea** at www.hager.com/domovea.

TJA670 domovea Basic

TJA470 domovea Expert


7.3.2 Sonos

This enables you to add a Sonos device to the domovea installation.

Click on **New device** to create a device:

- select **Sonos** in the **IoT** section,
- click on **Discover Sonos speaker** if your speaker does not appear in the list,
- click on the **Add** button,
- change the name of the device if necessary,
- complete the KNX group addresses if necessary.



 For more information, please see tutorial **15 - Control a Sonos speaker with domovea** at www.hager.com/domovea.

7.3.3 Netatmo

This enables you to add a Netatmo weather station to the domovea installation.

Click on **New device** to create a device:

- select **Netatmo** in the **IoT** section,
- Enter the **user name** and **password** for the netatmo account,
- click on the **Add** button,
- change the name of the device if necessary,
- complete the KNX group addresses if necessary.



 For more information, please see tutorial **16 - Add a Netatmo weather station in domovea with Hager Pilot** at www.hager.com/domovea.

7.4 Additional connectivity control point

For external devices to control the installation, access must be authorised for different devices.

- click on **Groups** at the top of the screen.

All of your devices and groups are listed here.

- select a group to activate external access to the domovea installation,
- click on the locks at the top of the screen to activate external access.

Repeat this process for each of the relevant groups

Note: to activate external access for each sub-group, you must open the locks of each sub-group and not just open the one in the group above.

 For more information, please see **17 - Enable external access to skills like Alexa, Google, IFTTT, etc.** at www.hager.com/domovea.

TJA670 domovea Basic

TJA470 domovea Expert

7.4.1 Alexa

This enables you to add the vocal assistant Amazon Alexa to the domovea installation.

Connect to the Amazon Alexa website or to the Alexa application:

- select Skills in the menu,
- install the Hager **domovea** skills,
- enter the user name and password for your Alexa account,
- enter the user name and password of your myHager account,
- follow the instructions until installation is finished.



i For more information, please see tutorial **18 - Control a domovea installation with Alexa vocal assistant** at www.hager.com/domovea.

7.4.2 Google Home

This enables you to add the vocal assistant Google Home to the domovea installation.

Connect to the Google website or to the Google Home application:

- navigate to **Settings**,
- select **More settings** from the bottom of the page,
- select **Home control** in the Assistant tab,
- click **+** and search domovea,
- enter the user name and password of your myHager account,
- follow the instructions until installation is finished.



i For more information, please see tutorial **19 - Control a domovea installation with Google vocal assistant** at www.hager.com/domovea.

7.4.3 IFTTT

This enables you to register the IFTTT service in the installation.

Connect to the IFTTT service website:

- create an account if necessary,
- search domovea in the different applications,
- link your domovea installation to another connected device by following the instructions.



i For more information, please see tutorial **20 - Create an Applet on IFTTT with domovea** at www.hager.com/domovea.

