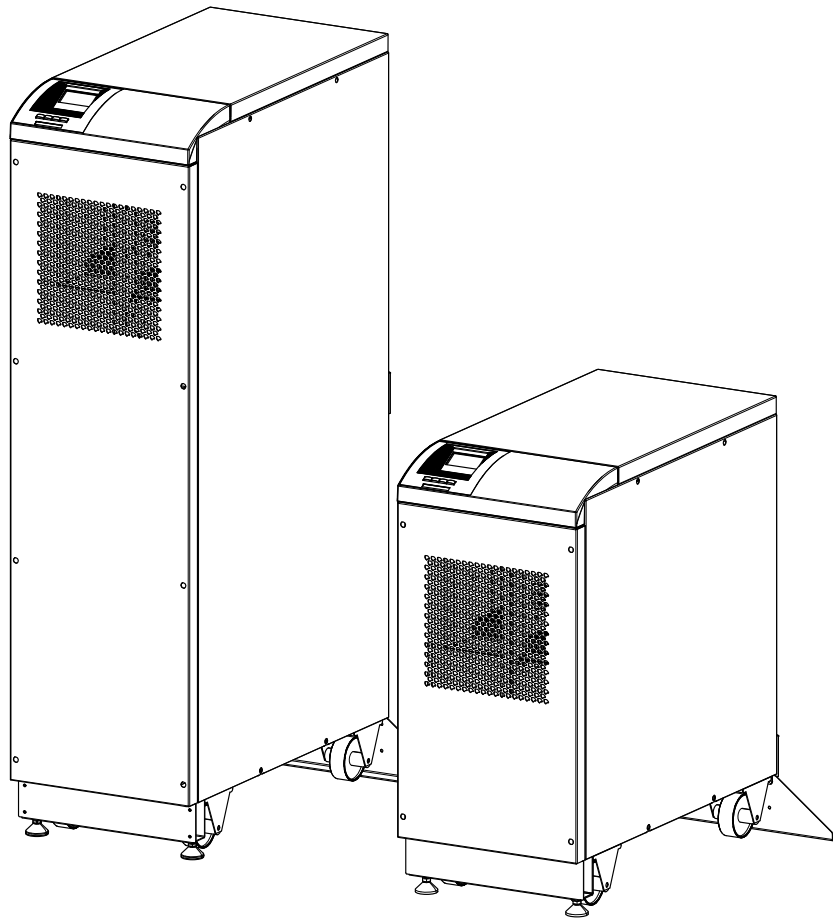


MASTERYS BC+

10-20 kVA



Available installation tutoring mobile app

Discover **eWIRE**



Free download from



Ask your Socomec dealer for your activation code. Visit us at www.socomec.com for more info. (tool page).

This Application is meant to support the User when installing the relevant SOCOMEC products in tutoring the installation step by step. The Application shall in no way substitute the installation and user manual provided with this SOCOMEC product, which remains the sole accurate instructions in terms of safety, handling, connection and use of SOCOMEC products.



NOTE!

On starting the unit an operating code is requested.

Before commencing operation, contact an authorised support centre to obtain the code, providing the unit serial number.

Note that for some options and/or configuration startup should be implemented by qualified technical personnel.

CONTENTS

1. CERTIFICATE AND CONDITIONS OF WARRANTY	5
2. SAFETY STANDARDS	6
2.1 DESCRIPTION OF SYMBOLS	8
3. ENVIRONMENTAL REQUIREMENTS AND HANDLING	9
3.1 ENVIRONMENTAL REQUIREMENTS	9
3.2 HANDLING	10
4. ELECTRICAL INSTALLATION	11
4.1 UPS SINGLE CONFIGURATION	11
4.1.1 MAINS AND AUXILIARY MAINS CONNECTED TOGETHER	11
4.1.2 MAINS AND AUXILIARY MAINS CONNECTED SEPARATELY	11
4.1.3 MAINS AND AUXILIARY MAINS CONNECTED TOGETHER (with external batteries)	12
4.1.4 MAINS AND AUXILIARY MAINS CONNECTED SEPARATELY (with external batteries) . . .	12
4.2 UPS PARALLEL CONFIGURATION	13
4.2.1 GENERAL INFORMATION	13
4.2.2 POWER CONNECTIONS	13
4.2.3 COMMON MAINS (recommended configuration)	14
4.2.4 SEPARATE MAINS (recommended configuration)	15
4.2.5 PARALLEL SETUP RULES	16
4.2.6 CONTROL CONNECTIONS	16
4.3 ELECTRICAL REQUIREMENTS	17
4.4 CABLE POSITIONING	22
5. OVERVIEW	23
5.1 FRONT VIEW	23
5.2 REAR SIDE	24
6. CONNECTIONS	27
6.1 UPS CONNECTION	28
6.1.1 MAINS AND AUXILIARY MAINS CONNECTED IN COMMON (3/3 models)	28
6.1.2 MAINS AND AUXILIARY MAINS CONNECTED SEPARATELY (3/3 models)	28
6.1.3 MAINS AND AUXILIARY MAINS CONNECTED SEPARATELY (3/1 models)	28
7. CONTROL PANEL	29
8. MENU	30
8.1 DISPLAY OVERVIEW (SYSTEM)	30
8.2 DISPLAY OVERVIEW (UNIT)	30
8.3 MENU TREE	34
8.4 MENU FUNCTION DESCRIPTIONS	37
8.4.1 ENTERING PASSWORDS	37
8.4.2 ALARM MENU	37
8.4.3 STATUS MENU	37
8.4.4 EVENT LOG MENU	37
8.4.5 MEASUREMENTS MENU	37
8.4.6 CONTROLS MENU	37
8.4.7 USER PARAM MENU	38
8.4.8 SERVICE MENU	38
9. OPERATING PROCEDURES	39
9.1 SWITCHING ON	39
9.2 SWITCHING OFF	39
9.3 BYPASS OPERATIONS	40
9.4 EXTENDED OUT OF SERVICE	41
9.5 EMERGENCY SHUTDOWN	41
9.6 UPS POWER OFF (U.P.O.)	42

10. OPERATING MODES	43
10.1 ON LINE MODE	43
10.2 HIGH EFFICIENCY MODE (ECO MODE)	43
10.3 ENERGY SAVER MODE	43
10.4 CONVERTER MODE	44
10.5 OPERATION WITH MAINTENANCE BYPASS	44
10.6 OPERATION WITH MOTOR GENERATOR (GENSET)	44
11. STANDARD FEATURES AND OPTION	45
11.1 STANDARD WEB PAGES	46
11.2 ADC+SL CARD	47
11.2.1 TEMPERATURE SENSOR	49
11.3 NET VISION CARD	50
11.3.1 EMD	50
11.4 MODBUS TCP CARD	50
11.5 BACNET CARD	50
11.6 REMOTE TOUCHSCREEN DISPLAY	51
11.7 PROFIBUS PROTOCOL INTERFACE	51
11.8 SOFTWARE OPTION	51
11.9 INTERNAL BACKFEED PROTECTION	51
11.10 EXTERNAL MAINTENANCE BYPASS	51
11.11 KIT FOR TN-C / NEUTRAL-GROUND CONNECTION	52
11.12 RAMP FOR UPS UNLOADING	53
11.13 KIT FOR FRONT COVER	54
11.14 KIT FOR FRONT AND LATERAL COVER	54
11.15 KIT FOR IP21	54
12. TROUBLESHOOTING	55
12.1 SYSTEM ALARMS	55
12.2 SYSTEM STATUS	56
13. PREVENTIVE MAINTENANCE	57
13.1 BATTERIES	57
13.2 FANS & CAPACITORS	58
14. SAFEGUARDING THE ENVIRONMENT	59
15. TECHNICAL SPECIFICATIONS	60

1. CERTIFICATE AND CONDITIONS OF WARRANTY

This SOCOMEC continuous power system is guaranteed against any manufacturing or material defects.

The warranty is valid for 12 (twelve) months from the commission date, provided activation is carried out by SOCOMEC personnel or personnel from a support centre authorised by SOCOMEC, and no more than 15 (fifteen) months from being shipped from SOCOMEC.

The warranty is valid throughout national territory. If the UPS is exported abroad, the warranty will only cover the parts used to repair faults.

The warranty is valid ex-works and covers labour and parts used to repair the faults.

The warranty shall not apply in the following cases:

- Failure due to unforeseen circumstances or force majeure (lightning, floods, etc.);
- Failure due to negligence or improper use (use outside limits: temperature, humidity, ventilation, electric power supply, applied load, batteries);
- Insufficient or inappropriate maintenance;
- When maintenance, repairs or modifications have not been carried out by SOCOMEC personnel, or personnel from a support centre authorised by SOCOMEC.
- If the battery has not been recharged in accordance with the terms indicated on the packaging and in the manual, in the event of long periods of storage or UPS inactivity.

SOCOMEC may, at its own discretion, opt for the repair of the product or the replacement of faulty or defective parts with new parts, or with used parts of equivalent quality to new parts with regard to function and performance.

Defective or faulty parts replaced free of charge must be made available to SOCOMEC, which becomes the sole owner.

Replacement or repair of parts, or any modifications to the product during the warranty period, will not extend the duration of the warranty.

SOCOMEC will not be responsible for damages under any circumstances (including, without limitations, damage for loss of earnings, interruption of activity, loss of information or other financial losses) arising from the use of the product.

SOCOMEC retains the full and exclusive ownership rights to this document. Only a personal entitlement to use the document for the application indicated by SOCOMEC is granted to the recipient of this document. The reproduction, modification, distribution of this document, either partially or wholly and in any manner, is strictly prohibited except upon Socomec's express prior written consent.

This document is not a specification. SOCOMEC reserves the right to make any changes to the information provided without prior notice.

2. SAFETY STANDARDS

This user manual specifies installation and maintenance procedures, technical data and safety instructions for SOCOMEC. For further information visit the Socomec website: www.socomec.com.

	NOTE! Any work carried out on the equipment must be performed by skilled, qualified technicians.
	NOTE! Before carrying out any operations on the unit read the installation and operating manual carefully. Keep this manual safe for future reference.
	DANGER! Failure to observe safety standards could result in fatal accidents or serious injury, and damage equipment or the environment.
	NOTE! The models are not available for all markets. Contact Socomec for further information.
	CAUTION! If the unit is found to be damaged externally or internally, or any of the accessories are damaged or missing, contact SOCOMEC. Do not operate the unit if it has suffered a violent mechanical shock of any kind.
	NOTE! Install the unit in accordance with clearances in order to prevent access to handling devices and guarantee sufficient ventilation (refer to 'Electrical requirements' chapter).
	NOTE! Only use accessories recommended or sold by the manufacturer.
	NOTE! When the equipment is transferred from a cold to a warm place wait approx. two hours before putting the unit into operation.
	NOTE! When carrying out electrical installation, all standards applicable specified by the IEC, in particular IEC 60364, and the electricity supplier must be observed. All national standards applicable to batteries must be observed. For further information refer to 'Technical specifications' chapter.
	WARNING! Connect the protective earth (PE) conductor before making any other connections.
	The UPS requires three-phase plus neutral input connections (3P+N). The neutral input connection is not required only in case of input transformer.
	NOTE! The installer is responsible for implementing the backfeed protection with the use of AC input line isolation devices external to the UPS. Refer to 'Electrical requirements' chapter.
	DANGER! RISK OF ELECTRIC SHOCK! Before carrying out any operations on the unit (cleaning and maintenance performances, connection of appliances, etc.) disconnect all power sources.
	DANGER! RISK OF ELECTRIC SHOCK! After disconnecting all power sources wait approx. 5 minutes for the complete discharge of the unit.
	NOTE! The UPS may be powered from an IT distribution system with a neutral conductor.



NOTE!

Any use other than the specified purpose will be considered improper. The manufacturer/ supplier shall not be held responsible for damage resulting from this. Risk and responsibility lies with the system manager.

NOTE! The product you have chosen is designed for environments that include all commercial, light industry and industrial establishments other than those directly connected to a low-voltage mains that supplies buildings used for residential purposes. In order to be used for particular "critical applications" such as life support systems, medical applications, commercial transportation, nuclear facilities or any other application or systems where product failure is likely to cause substantial harms to person or property, the products may have to be adapted. For such uses we would advise you to contact SOCOMEC beforehand to confirm the ability of these products to meet the requested level of safety, performance, reliability and compliance with applicable laws, regulations and specifications.



WARNING!

Only for 10 kVA 3/3

This is a category C2 UPS product. In a residential environment, this product may cause radio interference, in which case the user may be required to take additional measures.

For the other models:


This is a product for commercial and industrial application in the second environment - installation restrictions or additional measures may be needed to prevent disturbances.

Safety requirements for secondary batteries and battery installations.



The installer is responsible for ensuring that the battery installation and their operating environment conform to national and international codes and safety standards.

2.1 Description of symbols

Symbols	Description
	Protective earth terminal (PE).
	Authorized personnel only. Only qualified personnel are permitted to work on the batteries.
	Do not use naked flames or cause sparks in the vicinity of the accumulators.
	No smoking.
	Batteries charging! Batteries and related parts contain lead which is dangerous to health if ingested. Wash hands after handling!
	Accumulators are heavy! Use suitable transport and lifting equipment to work safely.
	Risk of electric shock! Connecting accumulators in series creates hazardous voltages.
	Risk of explosion! Avoid short circuits! Never place tools or metal objects on the accumulators.
	Corrosive liquids (electrolyte).
	Read the user instructions carefully. Read the user manual before performing any operations.
	Wear protective gloves
	Wear safety shoes.
	Wear protective goggles.
	In the event of accidents, improper use, failure or electrolyte leakage wear a protective apron.
	In the event of accidents, improper use, failure or electrolyte leakage wear a gas mask.
	In the event of contact with the eyes, wash immediately with plenty of water and call a doctor. Call a doctor immediately in the event of accidents or illness.
	Do not dispose of in normal waste stream (symbol waste electrical and electronic equipment).

3. ENVIRONMENTAL REQUIREMENTS AND HANDLING



NOTE!

Before carrying out any operations on the unit read the 'Safety standards' chapter carefully.

3.1 Environmental requirements

The room must be:

- Clean and dry;
- Of a suitable size;
- Free from conductive, inflammable and corrosive items;
- Not exposed directly to sunlight.

The floor must support the weight of the unit and guarantee its stability.

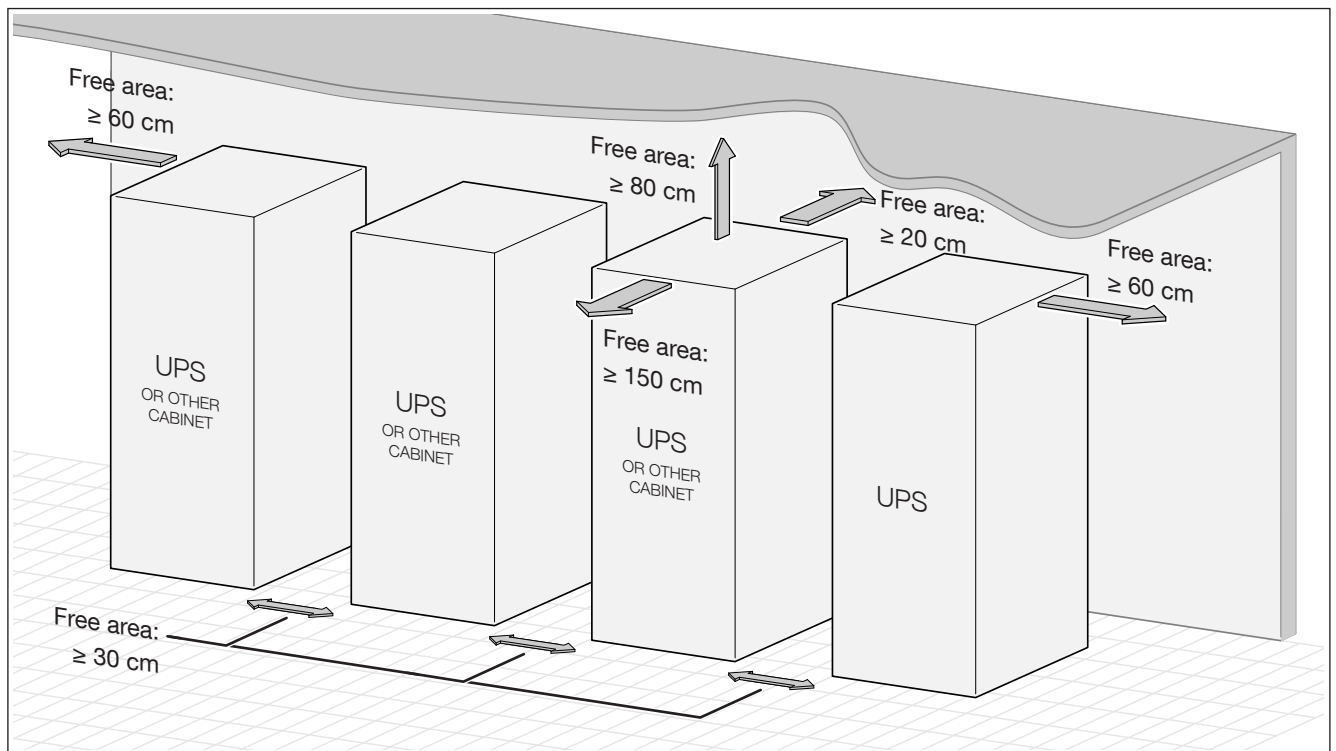
The unit is designed for indoor installation only.

Room positioning

For information regarding ambient temperature, dimensions and weights refer to the 'Technical specifications' chapter.





The connections and the UPS breakers need to be accessible from the rear; a space of at least 1.5 meters should be left at the front of the UPS for maintenance purposes. It is also advisable to ensure that cable connections are sufficiently long and flexible so that the unit can be extracted during maintenance, if necessary.

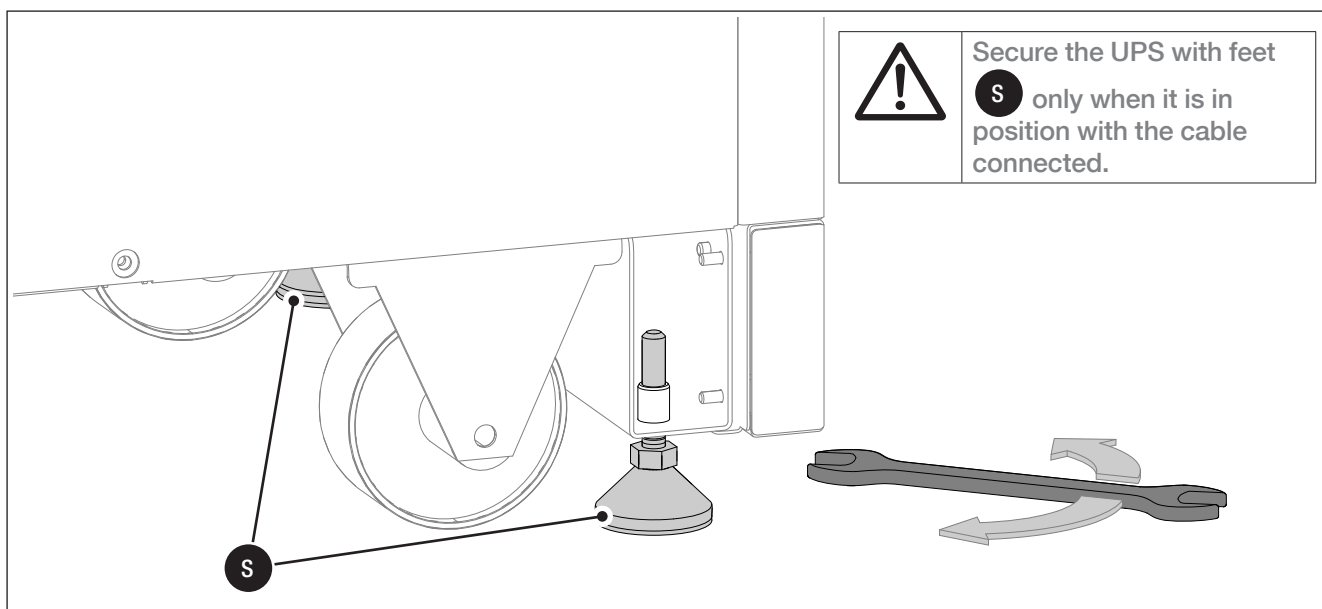
A space at least 20 cm must be left at the back for adequate ventilation (see figure).



3.2 Handling

- The packaging guarantees the stability of the unit during shipping and physical transfer.
- The unit must remain in a vertical position during all shipping and handling operations.
- Ensure that the floor is strong enough to support the weight of the unit.
- Carry the packaged unit as close as possible to the installation site.

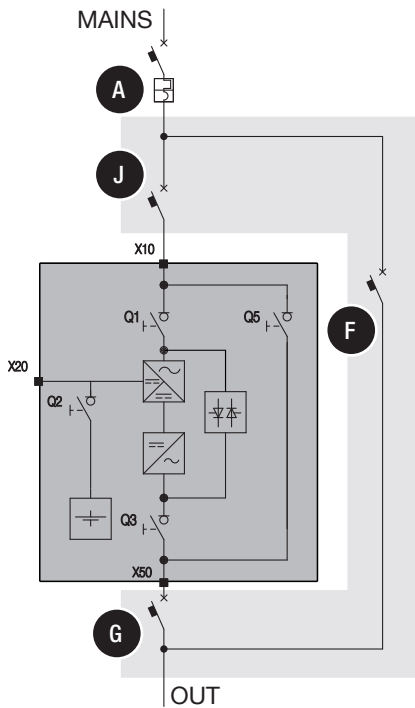
	The unit MUST be handled by at least two people. The people MUST take position at the sides of the UPS with respect to the direction of movement.
	Do not move the unit by putting pressure on the front.
	When moving the unit on even slightly sloping surfaces, use the locking equipment and braking devices to ensure that the unit does not fall over.
	WARNING! The following instructions must be carried out prior to moving the unit (after initial positioning). Failure to heed this warning could result in the unit falling over, equipment damage, injury and even death.




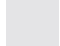
4. ELECTRICAL INSTALLATION

4.1 UPS single configuration

4.1.1 Mains and Auxiliary mains connected together

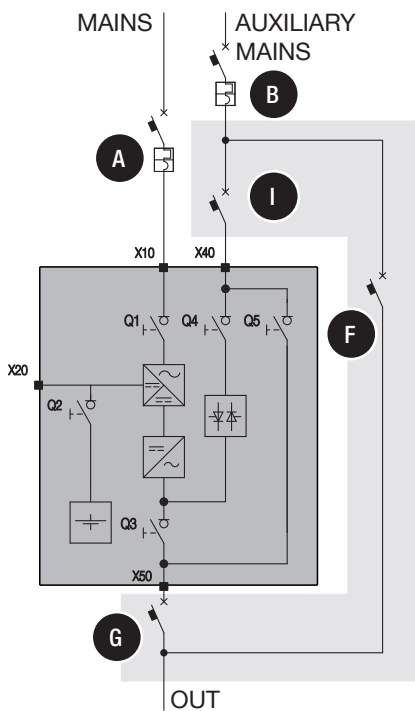


KEY


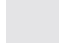
- A** Common mains thermal-magnetic circuit breaker.
- F** External maintenance bypass switch⁽¹⁾.
- G** Unit output switch.
- J** Unit Input mains switch.
-  UPS
-  External maintenance bypass⁽²⁾

1. Connect signal status to the ADC+sl board.
2. See 'Standard features and option' chapter.

4.1.2 Mains and Auxiliary mains connected separately

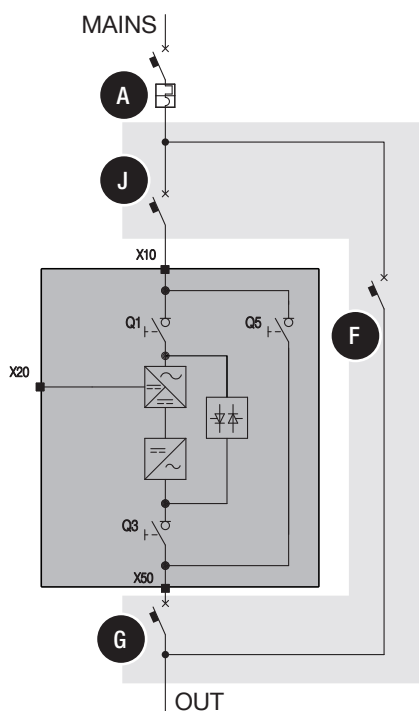


KEY


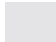
- A** Input mains thermal-magnetic circuit breaker.
- B** Auxiliary mains thermal-magnetic circuit breaker.
- F** External maintenance bypass switch⁽¹⁾.
- G** Unit output switch.
- I** Unit Auxiliary mains switch.
-  UPS
-  External maintenance bypass⁽²⁾

1. Connect signal status to the ADC+sl board.
2. See 'Standard features and option' chapter.

4.1.3 Mains and Auxiliary mains connected together (with external batteries)

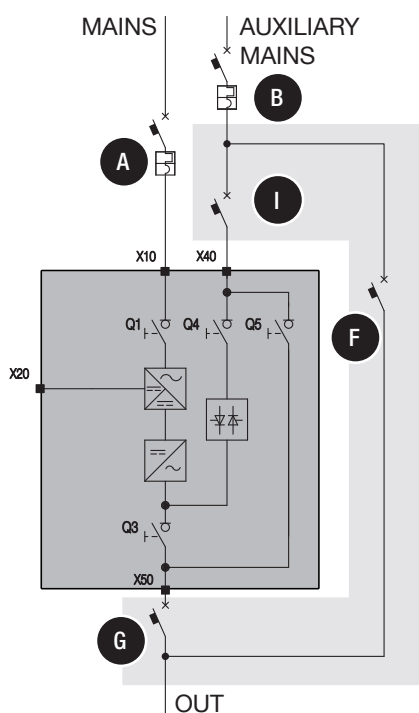


KEY


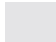
- A** Common mains thermal-magnetic circuit breaker.
- F** External maintenance bypass switch⁽¹⁾.
- G** Unit output switch.
- J** Unit Input mains switch.
-  UPS
-  External maintenance bypass⁽²⁾

1. Connect signal status to the ADC+sl board.
2. See 'Standard features and option' chapter.

4.1.4 Mains and Auxiliary mains connected separately (with external batteries)



KEY

- A** Input mains thermal-magnetic circuit breaker.
- B** Auxiliary mains thermal-magnetic circuit breaker.
- F** External maintenance bypass switch⁽¹⁾.
- G** Unit output switch.
- I** Unit Auxiliary mains switch.
-  UPS
-  External maintenance bypass⁽²⁾

1. Connect signal status to the ADC+sl board.
2. See 'Standard features and option' chapter.

4.2 UPS parallel configuration

4.2.1 General Information

A parallel connection enhances UPS system reliability, performance and power.

Models can be installed in a parallel configuration by specialist personnel using the kit designed for this purpose.

UPS units connected in parallel are fairly similar to a standard UPS unit therefore the safety, shipping and installation recommendations in the 'Electrical installation' and 'Connections' chapters also apply.

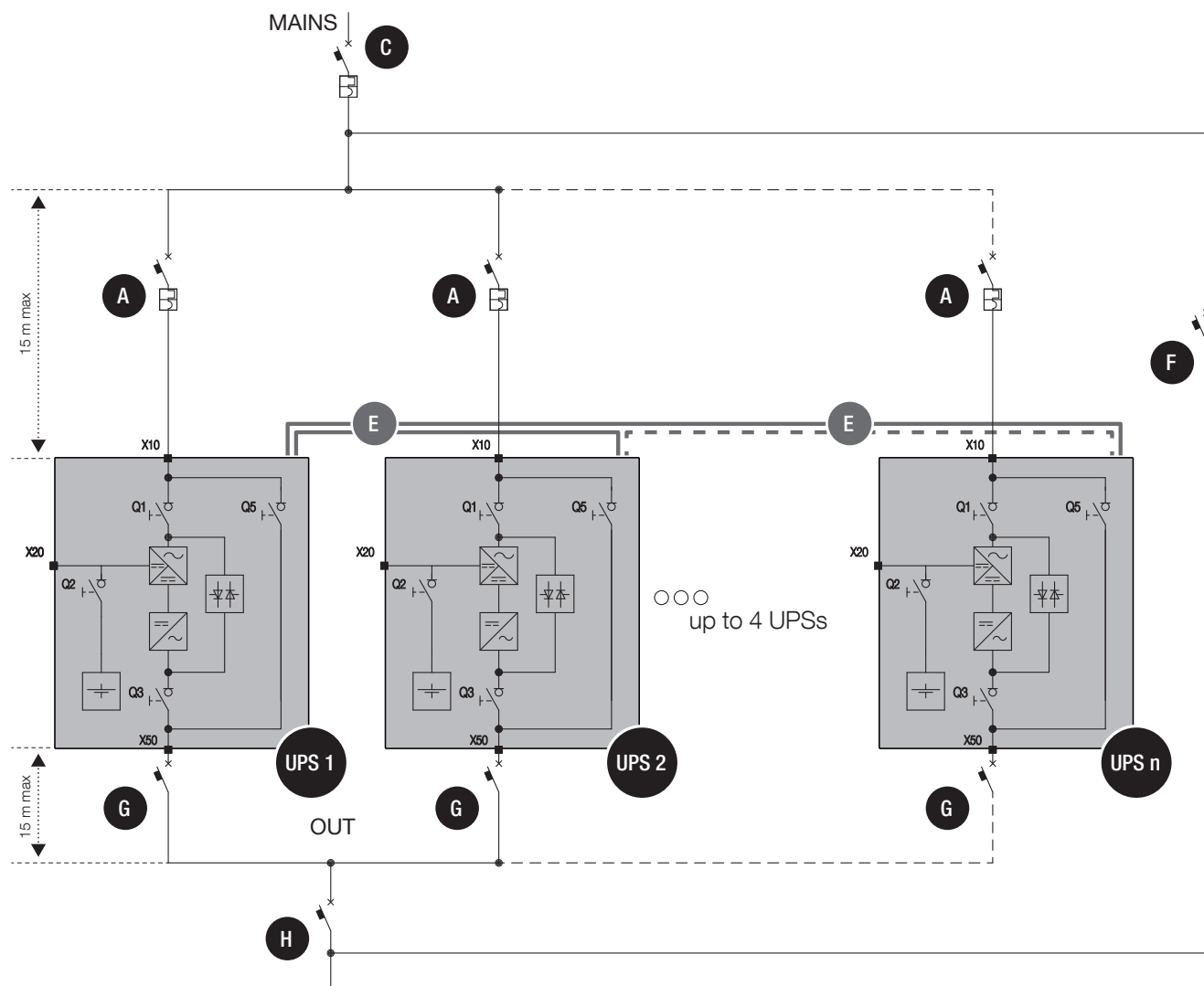
UPS units for parallel operation must comply with the distances indicated in the 'Environmental requirements' chapter. See the 'Operating procedures' chapter for operating procedures.

4.2.2 Power connections

- See chapter 'Electrical requirements' for input protection devices.

	The cross section and length of the input and output cables must be identical for all units.
	The phase rotation must be correct and the same for each unit connected in parallel and also on any external manual bypass line.
	Cables of the same length and cross section must be used for connection between general power switches (C and D), switches A and B and the respective units.
	If RCD is installed on the mains power switch (optional), it must be selective and inserted upstream of the distribution panel, and the trigger value must be 0.5A multiplied by the number of units connected in parallel (see 'Electrical requirements' chapter).
	The cable arrangement for the input, auxiliary and output lines are to be the same for each UPS, in order to guarantee the same impedance for each power line.
	System shutdown switch H should always be installed in the external distribution cabinet and recognised as an emergency shutdown switch (red handle). If this switch is far from the UPS or in another room a remote shutdown button shall be installed near the UPS.
	Before turning on an individual unit ensure that the relevant unit output switch G is closed.
	Before opening unit output switch G ensure that the relevant unit is turned off.
	If unit output switches G are present it is advisable to connect a normally open early break switch from the switch to the unit's parallel board.
	If an external maintenance bypass switch F is present it is advisable to connect a normally closed early make switch from the switch to the parallel board of the concentrator unit.
	If a system shutdown switch H is present it is advisable to connect a normally open early break switch from the switch to the parallel board of the concentrator unit.
	Communication cables must not exceed 30 metres (made of a specific cable type). Specific cable type with shield which must be used: F/UTP (or FTP) cat 5e awg 26 100 Ω.

4.2.3 Common Mains (recommended configuration)



KEY

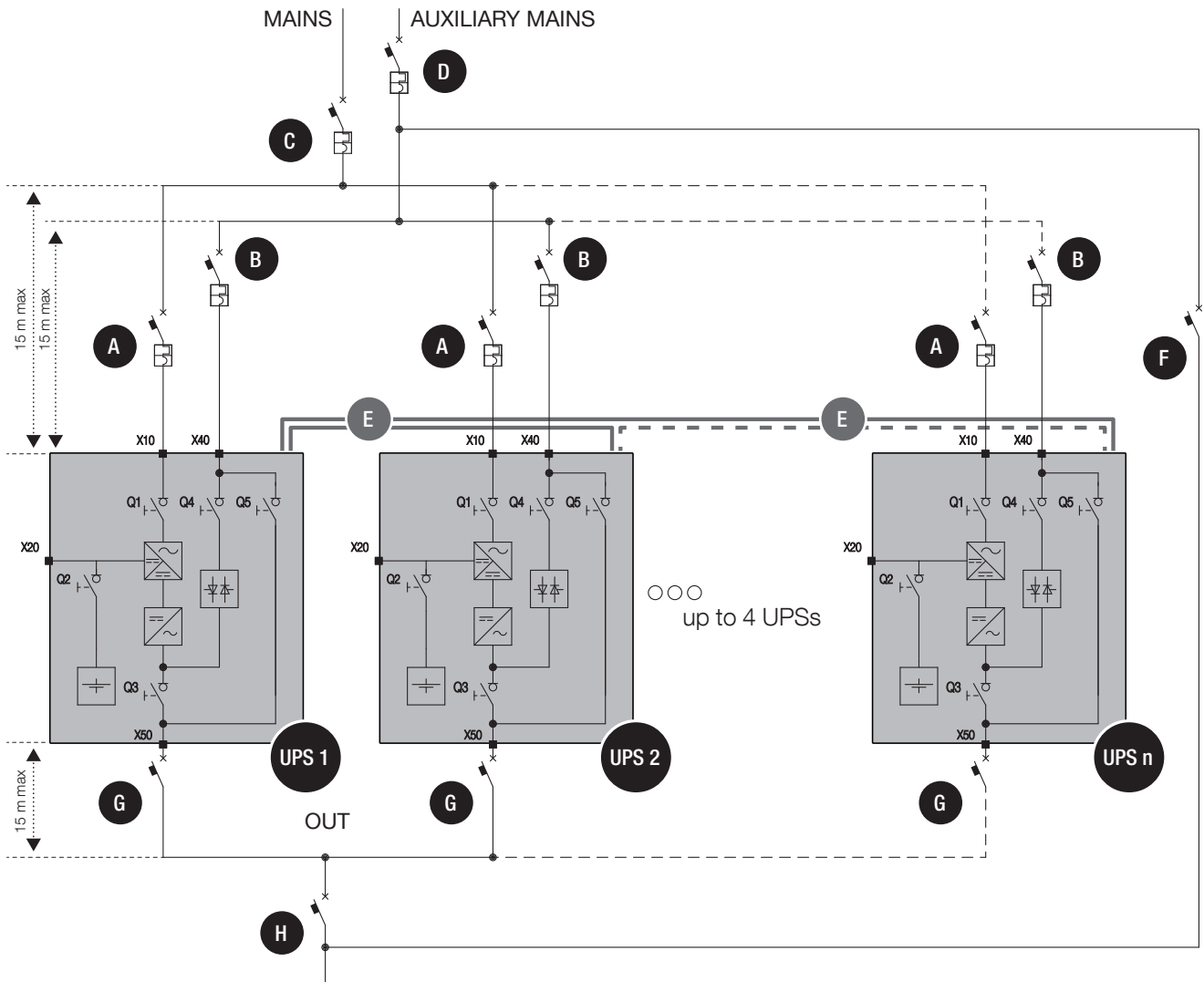
- A** Unit Input mains thermal-magnetic circuit breaker.
- C** Input mains thermal-magnetic circuit breaker.
- E** Parallel bus cable.
- F** External maintenance bypass switch⁽¹⁾.
- G** Unit output switch⁽²⁾.
- H** System shutdown switch⁽¹⁾.



NOTE!
Only for distributed battery.

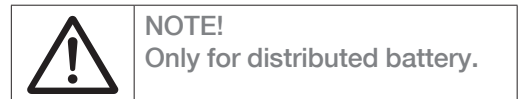
1. Connect signal status to the parallel board of the concentrator unit.
2. Connect signal status to the unit's parallel board.

4.2.4 Separate Mains (recommended configuration)



KEY

- A** Unit Input mains thermal-magnetic circuit breaker.
- B** Unit Auxiliary mains thermal-magnetic circuit breaker.
- C** Input mains thermal-magnetic circuit breaker.
- D** Auxiliary mains thermal-magnetic circuit breaker.
- E** Parallel bus cable.
- F** External maintenance bypass switch⁽¹⁾.
- G** Unit output switch⁽²⁾.
- H** System shutdown switch⁽¹⁾.



NOTE!
Only for distributed battery.

1. Connect signal status to the parallel board of the concentrator unit.
2. Connect signal status to the unit's parallel board.

4.2.5 Parallel setup rules

In order to achieve the best performance in a parallel configuration ensure that the mains input, output and auxiliary input cables:

- Have the same length (maximum length range is $\pm 5\%$).
- Are as short as possible.
- Are not longer than 15 metres.
- Are arranged evenly and not wrapped in coils. Cabling must be the same for each UPS in parallel.



WARNING!

In a parallel system it is necessary to oversize the auxiliary input cables at least 20% more than the rated value, due to the auxiliary input current balance tolerances.

4.2.6 Control connections

Control cables **E** are required for units connected in a parallel configuration.

The control cables are supplied with the UPS in the case of standard parallel arrangements, or attached to the parallel kit if the system is upgraded at a later date.

The control cables supplied allow a maximum distance of about 1-2 meter between the UPS units.

Furthermore, every individual unit must read the status of its output switch, and one of the two units, known as the concentrator, must read the status of the external manual bypass of the system **F** and the status of the output switch of the system **H**.

Parallel configuration must only be activated by qualified SOCOMEC personnel; in each case arrange the control cables in the relevant cable run as shown in the diagram, leaving the connector(s) unconnected (one incoming and one outgoing control cable must be used).

4.3 Electrical requirements



NOTE!

Before carrying out any operations on the unit read the 'Safety standards' chapter carefully.

The installation and system must comply with national plant regulations.

The electrical distribution panel must have a sectioning and protection system installed for input and auxiliary mains.

Residual Current Detection (RCD) is not necessary when the UPS is installed in a TN-S system.

RCD is not allowed on TN-C systems.

If a RCD is required a B-type should be used.

Size of input protection devices						
Model rating		Magneto-thermal input ⁽¹⁾	Magneto-thermal Auxiliary Mains ⁽¹⁾	Differential input ⁽³⁾		Internal battery protection ⁽⁴⁾
(kVA)	In/Out phase	(A)	(A)	(A)		Fuse
		A	B	Selective type		
				Single unit	Parallel (n) (n = 1 up to 4)	
10	3/1	25	80	0.5	0.5*n	50 aR
15		32	100	0.5	0.5*n	50 aR
20		40	125	0.5	0.5*n	50 aR
10	3/3	25	25	0.5	0.5*n	50 aR
15		32	32	0.5	0.5*n	50 aR
20		40	40	0.5	0.5*n	50 aR

Cable core size						
Model rating		Type of cable core size	Input cable core size	Auxiliary cable core size ⁽²⁾	Output cable core size ⁽²⁾	Battery cable core size
(kVA)	In/Out phase		mm ² (AWG)	mm ² (AWG)	mm ² (AWG)	mm ² (AWG)
			flexible cable	flexible cable	flexible cable	flexible cable
10	3/1	min	6 (AWG10)	16 (AWG5)	16 (AWG10)	6 (AWG10)
		max ⁽⁵⁾	25 (AWG3)	25 (AWG3)	25 (AWG3)	25 (AWG3)
15		min	6 (AWG10)	25 (AWG3)	25 (AWG10)	6 (AWG10)
		max ⁽⁵⁾	25 (AWG3)	25 (AWG3)	25 (AWG3)	25 (AWG3)
20		min	10 (AWG7)	25 (AWG3)	25 (AWG7)	10 (AWG7)
		max ⁽⁵⁾	25 (AWG3)	25 (AWG3)	25 (AWG3)	25 (AWG3)
10	3/3	min	6 (AWG10)	6 (AWG10)	6 (AWG10)	6 (AWG10)
		max ⁽⁵⁾	25 (AWG3)	25 (AWG3)	25 (AWG3)	25 (AWG3)
15		min	6 (AWG10)	6 (AWG10)	6 (AWG10)	6 (AWG10)
		max ⁽⁵⁾	25 (AWG3)	25 (AWG3)	25 (AWG3)	25 (AWG3)
20		min	10 (AWG7)	10 (AWG7)	10 (AWG7)	10 (AWG7)
		max ⁽⁵⁾	25 (AWG3)	25 (AWG3)	25 (AWG3)	25 (AWG3)











1. Recommended thermal-magnetic circuit breaker: with intervention threshold Curve C, it is necessary to use a D curve selective breaker in case of UPS with transformer. For backfeed protection use a magneto thermal switch with 220 V - 240 V release coil.

2. For parallel configuration, cables shall have the same size and length for each unit (maximum length tolerance is ±5%). Output cables should be less than 15 metres.

3. Use a single type-B selective (S) breaker installed upstream of the inputs power supply.

4. See "5.2 Rear side" chapter.


5. Determined by the size of the terminals.


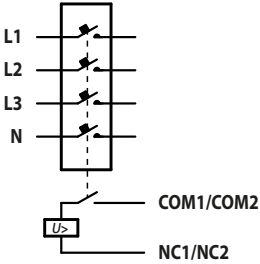
	NOTE: the neutral of the AUX Mains line must be electrically common with the neutral of the main input feed line.
	CAUTION: Residual Current Detection (RCD) can only be used when mains and auxiliary mains are connected together (configuration not recommended). It must be placed upstream of the connection between the mains and auxiliary mains. If RCD is installed the trigger value must be 0.5 A multiplied by the number of units connected in parallel. Use type B four-pole selective (S) residual current detectors. Load leakage currents are to be added to those generated by the UPS and during transitory phases (power failures and power returns) short current peaks may occur. If loads with high leakage current are present, adjust the residual current protection. It is advisable in all cases to carry out a preliminary check on the earth current leakage with the UPS installed and operational with the definitive load, so as to prevent the RCD tipping over.
	Ensure personal protection against indirect contact, bearing in mind that there is RCD protection with a high trigger current upstream of the UPS units, as recommended above.
	The phase rotation of auxiliary mains and output cables must be the same for each unit.
	NOTE: <ul style="list-style-type: none"> - 3/1: to ensure bypass integrity select an appropriate auxiliary magneto thermal switch to limit I^2t to maximum 14.4 kA²s and peak current to maximum 2.4 kA for 10 ms. - 3/3: to ensure bypass integrity select an appropriate auxiliary magneto thermal switch to limit I^2t to maximum 7.2 kA²s and peak current to maximum 1,2 kA for 10 ms. Contact SOCOMEC for detailed information.
	The UPS is designed for transient overvoltages in category II installations. If the UPS is part of the building's electrical circuit, or is likely to be subject to transient overvoltages in category III installations, additional external protection must be provided, either on the UPS or in the AC power supply network powering the UPS.
	The UPS is designed for indoor environmental service conditions according to IEC 60721-3-3 with pollution degree lower or equal to 2 (non-conductive pollution).
	WARNING: as specified in EN62040-3 Appendix 3: Non-linear Load Reference, in the event of three-phase non-linear loads connected downstream of the UPS, the neutral current on the load can be 1.5 - 2 times higher than the phase current. This must be considered when estimating the correct size of the output and the auxiliary neutral cables.
	WARNING: protective earthing conductor (PE) must have sufficient current-carrying capacity. The PE cable core size must be chosen according to the PROTECTIVE CURRENT RATING of the earth circuit which depends on the provision and location of protective overcurrent devices. We suggest 16 mm ² (AWG4) for MASTERYS BC+ 3/3 version and 25 mm ² (AWG2) for MASTERYS BC+ 3/1 version using the protective devices in the table above.
	NOTE: 3-Phase 4-Wire Input Power is required. The unit can be installed in TN-C, TN-S, TT and IT AC distribution systems (IEC 60364-3). For TN-C system see 'External backfeed protection' chapter. Contact SOCOMEC for detailed information.

External backfeed protection

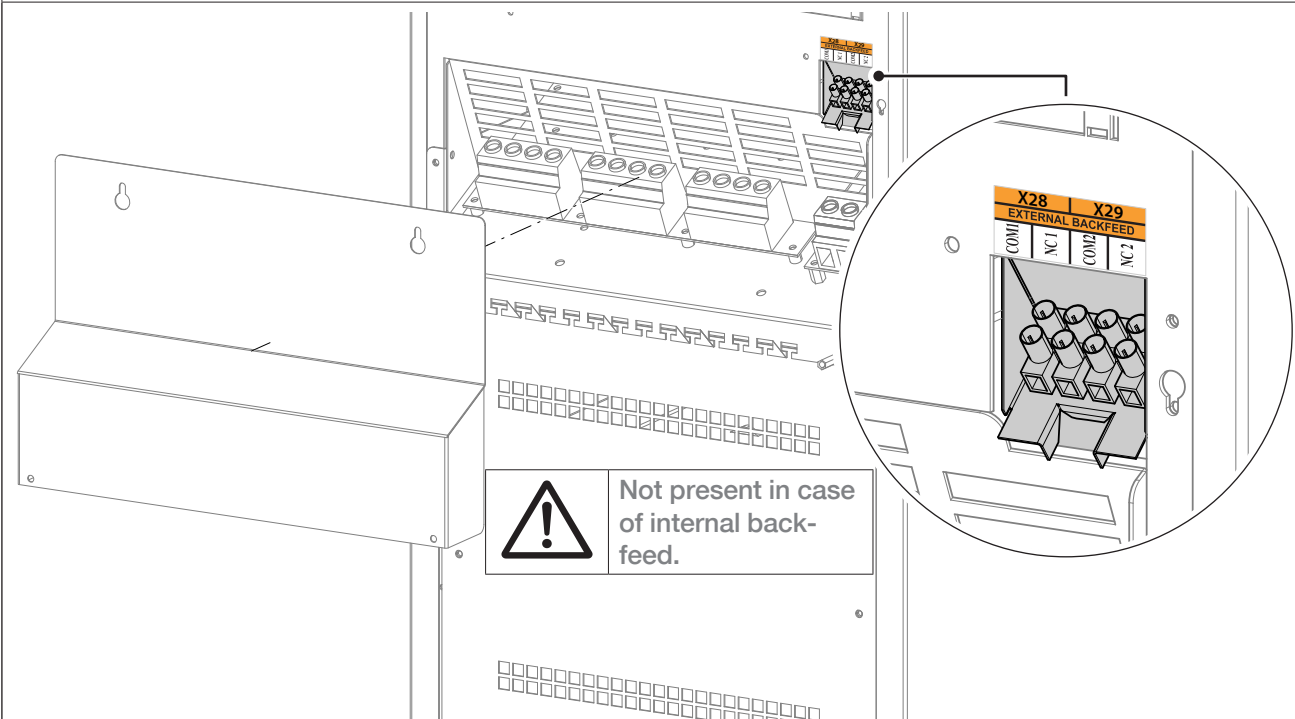
The UPS is set up for the installation of external protection devices against dangerous voltage backfeed on both the input power supply line (MAINS SUPPLY) and the auxiliary backup mains power supply line (AUXILIARY MAINS SUPPLY); these devices are controlled by dedicated outputs (X29 and X28).


The current rating of the switching device has to follow the instruction outlined in chapter 'Electrical requirements'.

	<p>DANGER! RISK OF ELECTRIC SHOCK! The installer must attach the warning label in order to warn electrical technicians about dangerous backfeed situations (not caused by the UPS). The label must be affixed:</p> <ul style="list-style-type: none"> • to all primary power isolators installed remotely from the UPS area; • to all external access points, if present; • between the isolators and the UPS.
---	--


<p>Warning label (supplied with the equipment)</p> <div style="border: 1px solid black; padding: 10px; margin: 10px;"> <p style="text-align: center;">Before working on this circuit</p> <p style="text-align: center;">- Isolate the Uninterruptible Power System (UPS) - Then check for Hazardous Voltage between all terminals including the protective earth</p> <div style="display: flex; align-items: center; justify-content: center;">  <div style="margin-left: 10px;"> <p>Risk of Voltage Backfeed</p> </div> </div> </div>	<p>Backfeed trip coil wiring</p> 
---	--

Backfeed trip coils supply





Not present in case of internal backfeed.

	<p>NOTE! Use a 220-240 V trip coil with integrated travel limit contact to pilot the input/auxiliary protection systems. If a trip coil without an integrated end of travel contact is used, a normally open early break contact must be added (see 'Backfeed trip coil wiring' diagram). Electrical contact data: 1.6 A 250 V AC.</p>
---	---

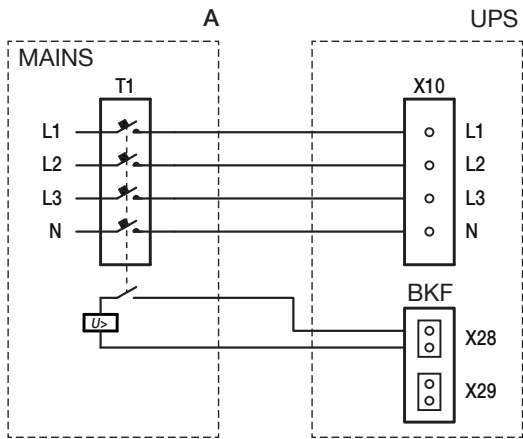
Function	Connector name	Voltage	Internal fuse	Detail
BKF AUX	X29	220-240 V rms	1.6 A time delay	COM 2 ⁽¹⁾ NC2
BKF MAINS	X28	220-240 V rms	1.6 A time delay	COM1 ⁽¹⁾ NC1

1. COM1 and COM2 are connected to the neutral.

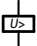
- Common Mains

Activating UPS protection on the mimic panel: access the MAIN MENU > SERVICE > LED TEST > MAINS CONFIGURATION and set the parameter to COMMON MAINS.

3/3 models



Key

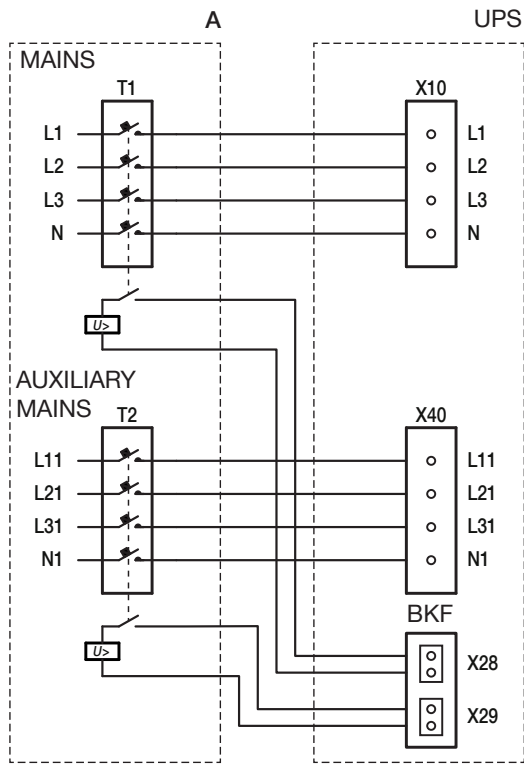
- A** Distribution panel
-  Shunt trip coil
- X10** Mains terminal block
- X40** Auxiliary Mains terminal block
- T1** Mains BKF power isolation device
- X29** Not connected
- X28** Mains BKF terminals

Remote switches – rated current	
Model	T1 (A)
10 3/3	25
15 3/3	32
20 3/3	40

- Separate Mains

Activating UPS protection on the mimic panel: access the MAIN MENU > SERVICE > UPS CONFIG > MAINS CONFIGURATION and set the parameter to SEPARATE MAINS.

3/3 models

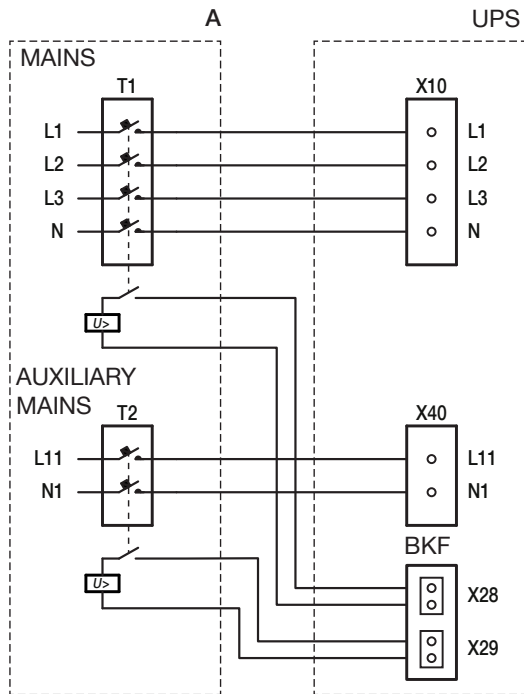


Key

- A** Distribution panel
- Shunt trip coil
- X10** Mains terminal block
- X40** Auxiliary Mains terminal block
- T1** Mains BKF power isolation device
- T2** Auxiliary Mains BKF power isolation device
- X29** Auxiliary Mains BKF terminals
- X28** Mains BKF terminals

Remote switches – rated current		
Model	T1 (A)	T2 (A)
10 3/3	25	25
15 3/3	32	32
20 3/3	40	40

3/1 models







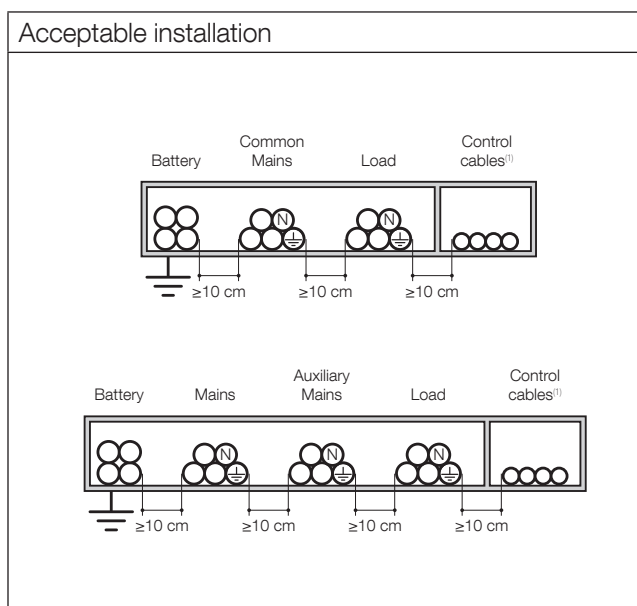
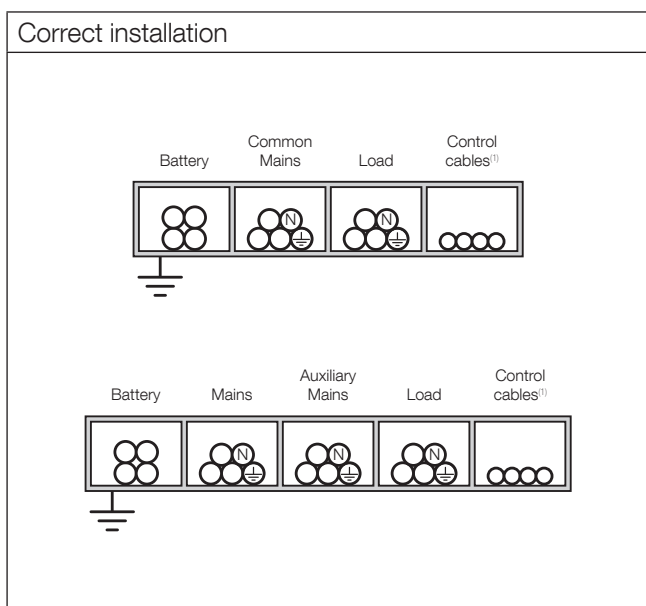
Key

- A** Distribution panel
- Shunt trip coil
- X10** Mains terminal block
- X40** Auxiliary Mains terminal block
- T1** Mains BKF power isolation device
- T2** Auxiliary Mains BKF power isolation device
- X29** Auxiliary Mains BKF terminals
- X28** Mains BKF terminals

Remote switches – rated current		
Model	T1 (A)	T2 (A)
10 3/1	25	80 (two poles)
15 3/1	32	100 (two poles)
20 3/1	40	125 (two poles)

4.4 Cable positioning

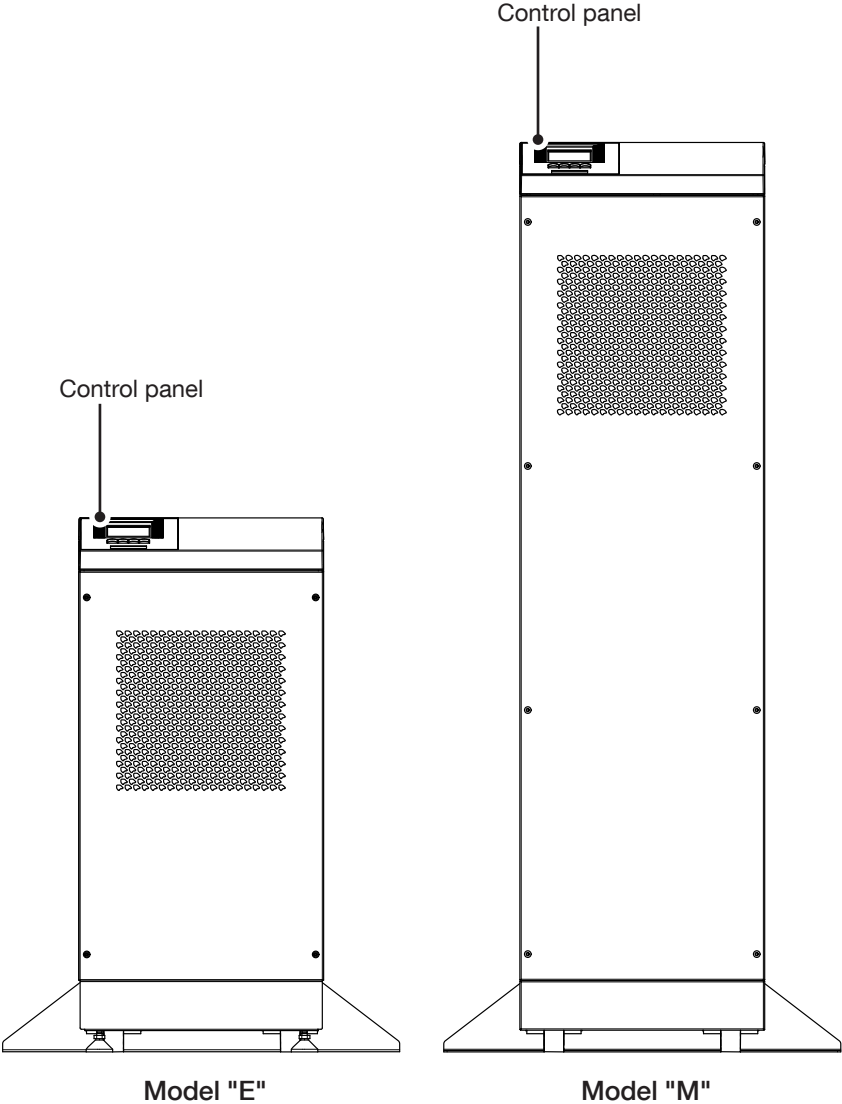
	WARNING! The cables must be installed on trays according to the following diagrams. The trays must be positioned near the UPS.
	WARNING! All metal and suspended ducts or those in raised flooring MUST be connected to earth and to the various cabinets
	WARNING! Power cables and control cables MUST NEVER be installed in the same duct.
	WARNING! Risk of electromagnetic interference between mains cables and output cables.



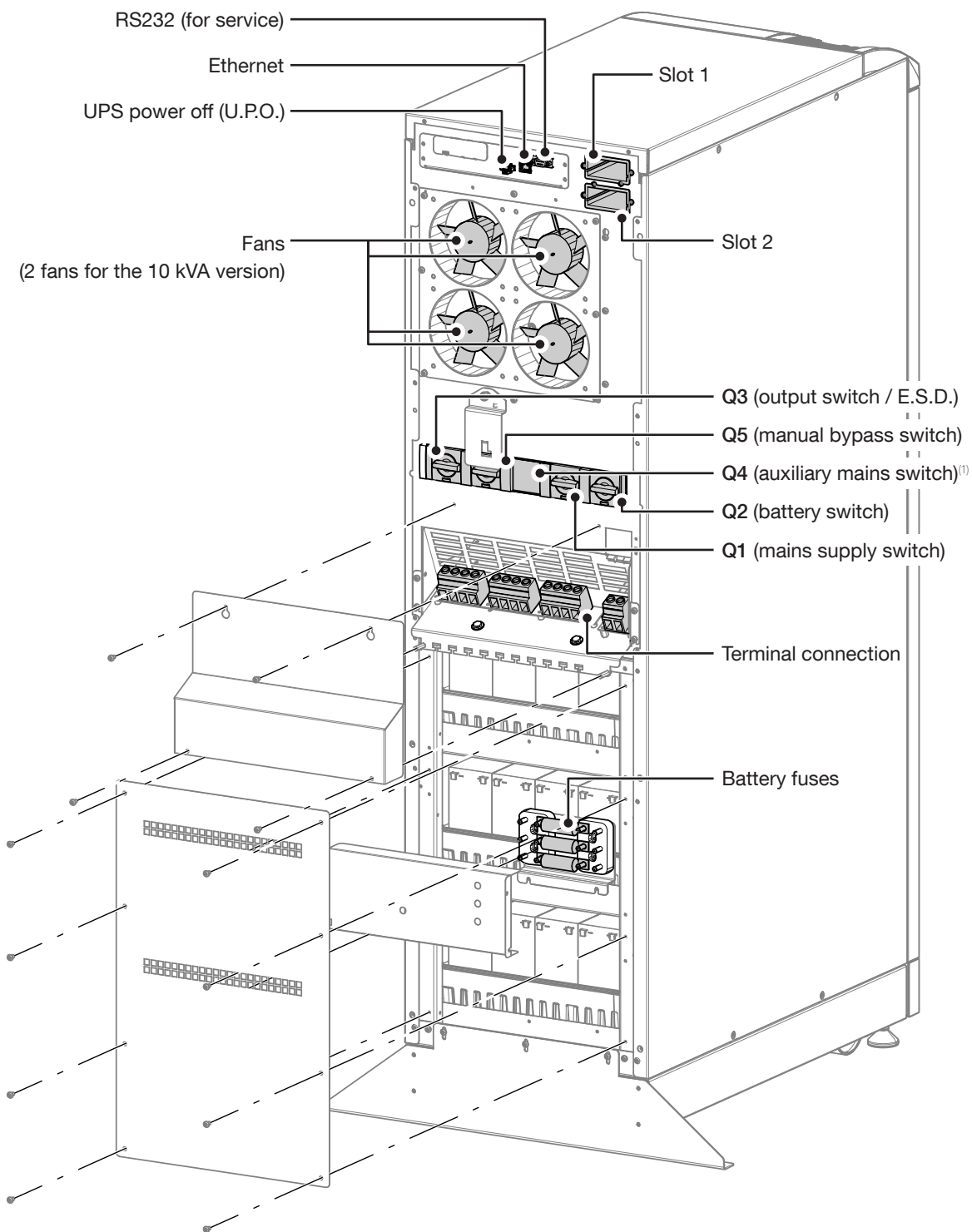
1. Control cables: connections between the cabinets and each unit, alarm signals, connection to the alarm signals from and to ADC+sl card, UPS power off (UPO), connection to GENSET, Ethernet.

5. OVERVIEW

5.1 Front view



5.2 Rear side



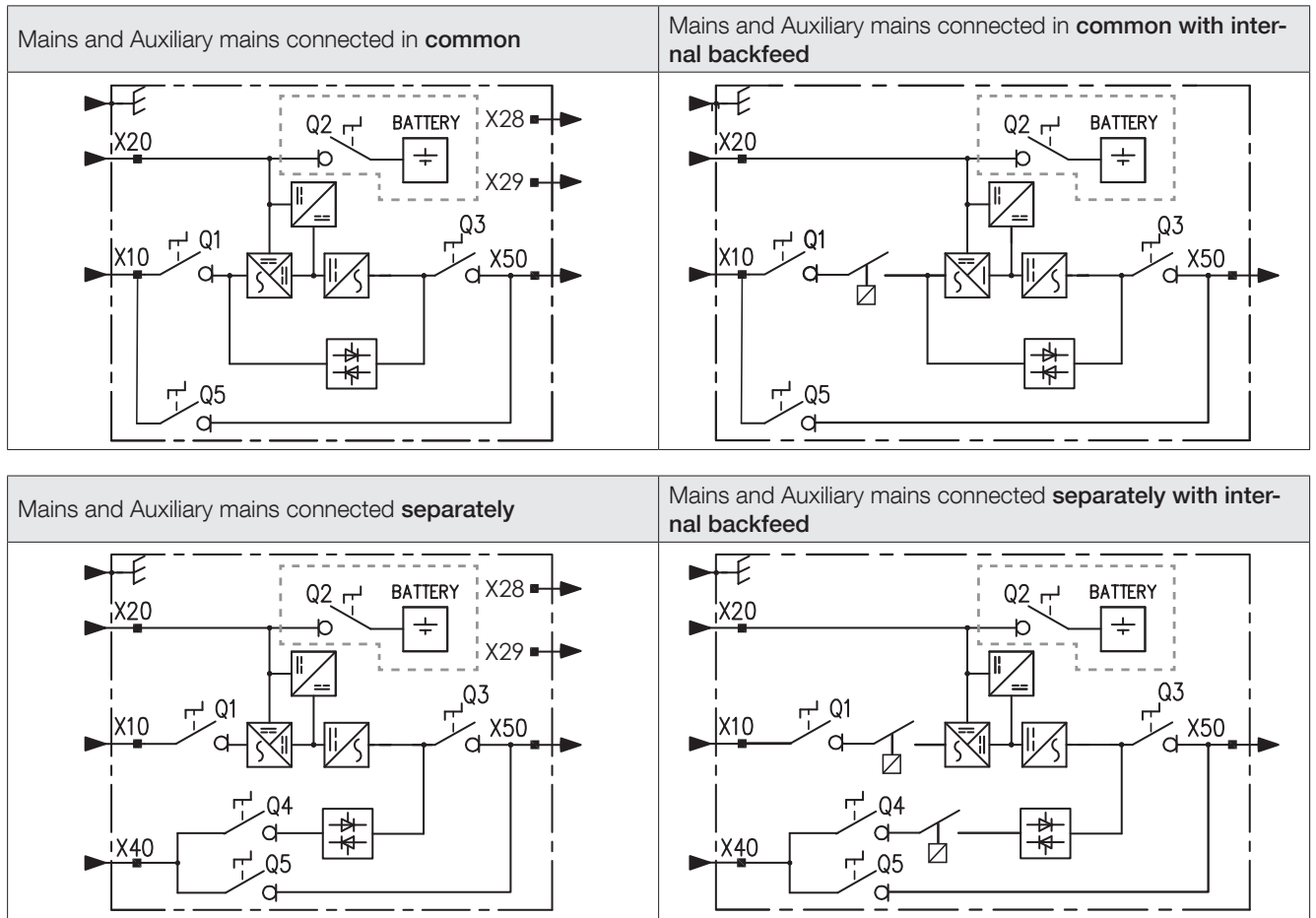
1. Only installed on separate mains version.

Wiring diagram



NOTE!

Before carrying out any operations on the unit read the 'Safety standards' chapter carefully.



X10 Input mains

X20 Battery input

X40 Auxiliary mains

X28 BKF Mains

X29 BKF Aux

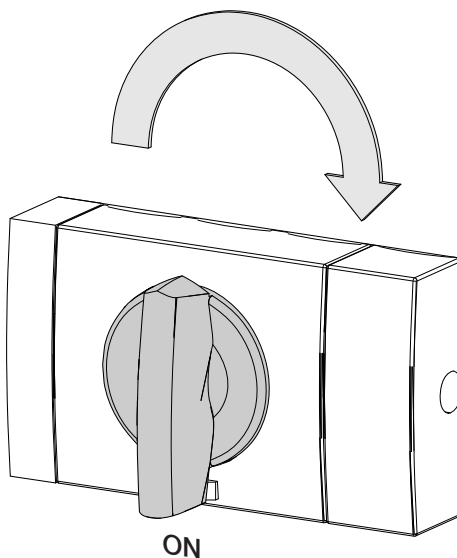
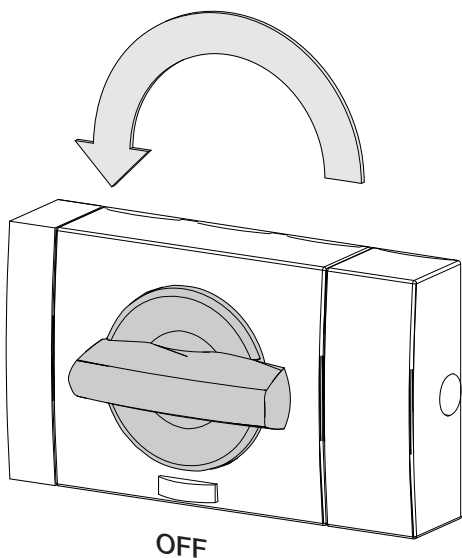
X50 Output

 Battery

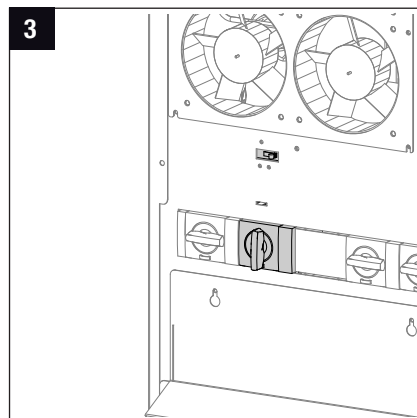
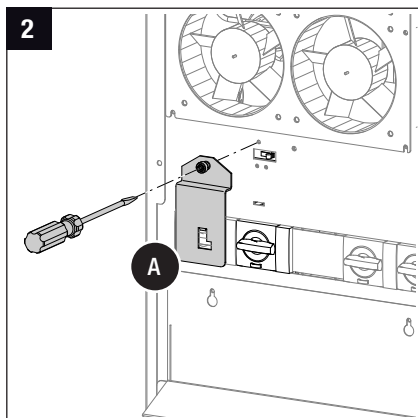
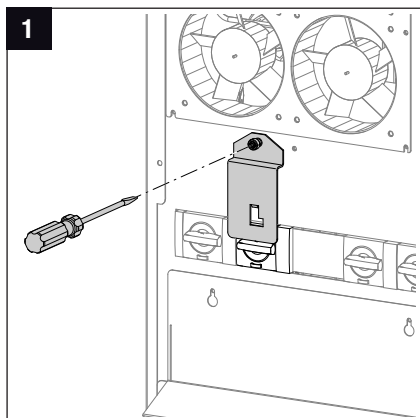
 PE

 Internal battery configurations only

Position of the switches



Q5 manual bypass switch



 Follow the bypass procedure (chapter 'Bypass operations') before removing the bypass switch protection cover (A).

6. CONNECTIONS

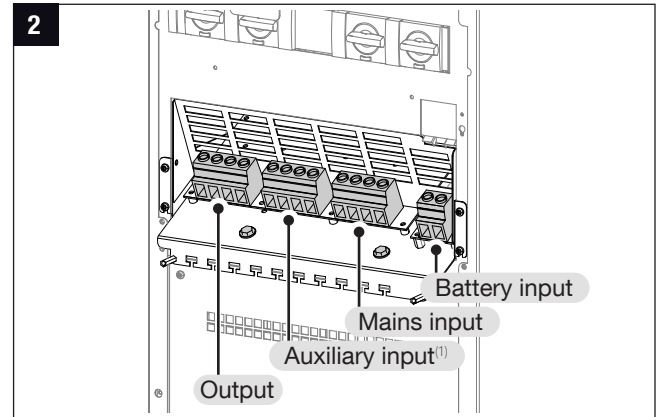
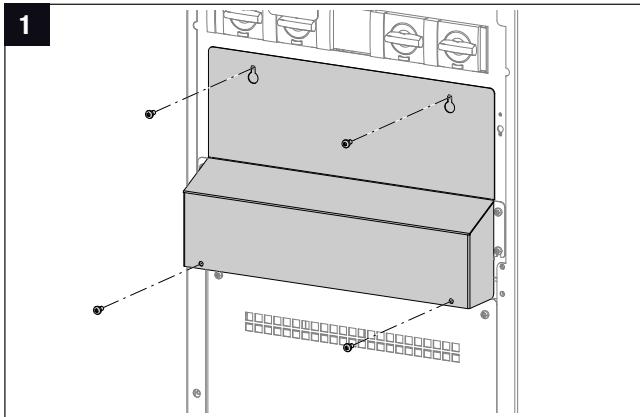


NOTE!

Before carrying out any operations on the unit read the 'Safety standards' chapter carefully.

Cables with anti-vermin ferrule

- Remove the protection;
- Carry out all the required connection;
- Fix the protection.



1. Only available for separate mains version.

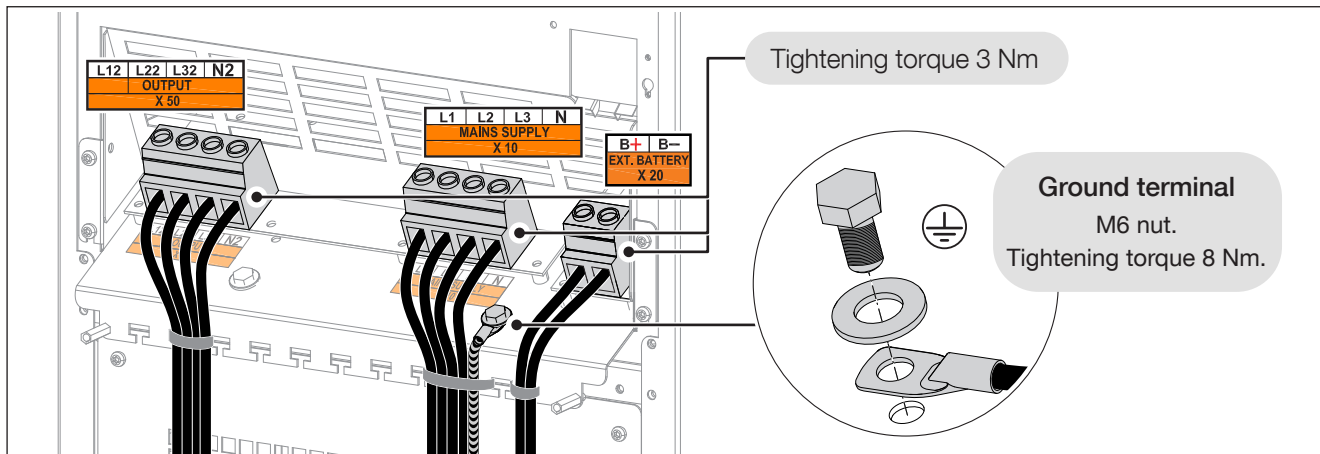
6.1 UPS connection



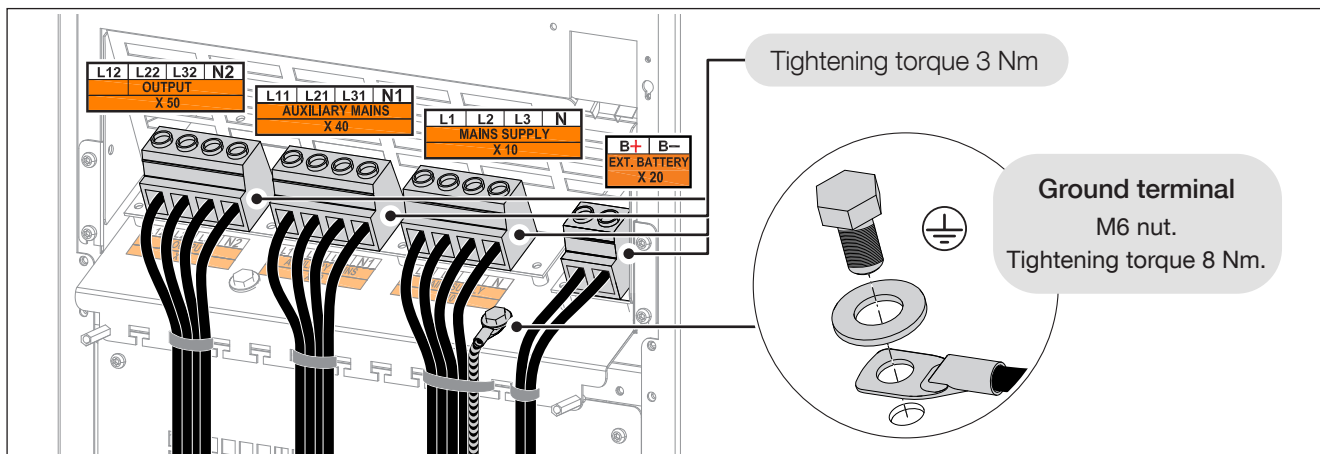
WARNING!

Cabling errors with inversion between phase and neutral conductors may cause permanent damage to the equipment.

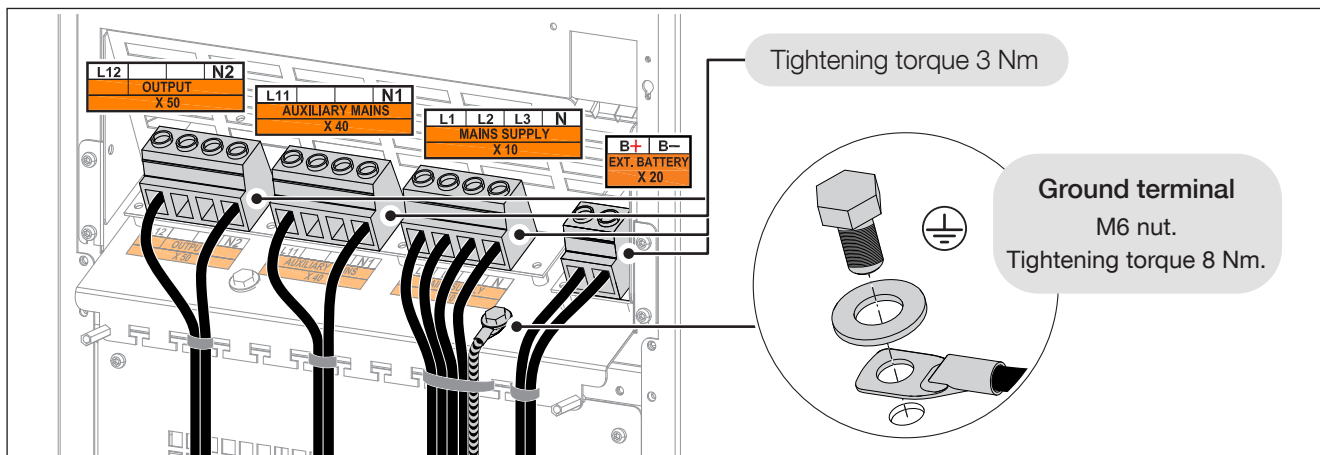
6.1.1 Mains and auxiliary mains connected in common (3/3 models)



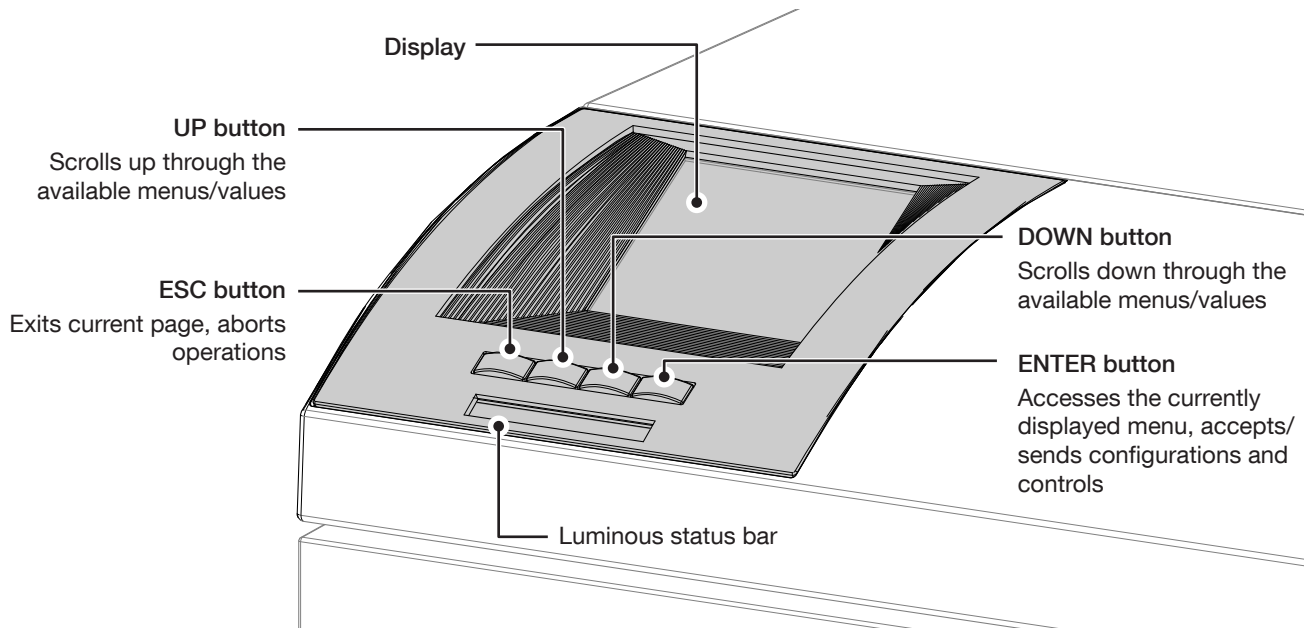
6.1.2 Mains and auxiliary mains connected separately (3/3 models)



6.1.3 Mains and auxiliary mains connected separately (3/1 models)



7. CONTROL PANEL



Control panel with LED status bar indicator	
Colour	Description
Flashing red-yellow-green-red	No communication. The data is no longer updated or not present. Load status cannot be given.
Flashing red	Load supplied, but the output will stop in a few minutes.
Red	Load not supplied: Output switched OFF due to an alarm.
Flashing yellow-red	Load supplied, but no longer protected. A critical alarm occurs.
Flashing yellow	Maintenance request / in progress.
Yellow	Load supplied with warning.
Flashing green-yellow-green	Load supplied and preventive alarm present.
Flashing green	Load going to be supplied and tested.
Green	Load protected in inverter.
Grey (OFF)	Load not supplied output on standby / isolated / OFF.

KEYPAD LOCK

The keypad can be locked by pressing the buttons in the following sequence:

ESC > UP > DOWN > ENTER

To unlock the keypad the buttons must be pressed in the reverse sequence:

ENTER > DOWN > UP > ESC

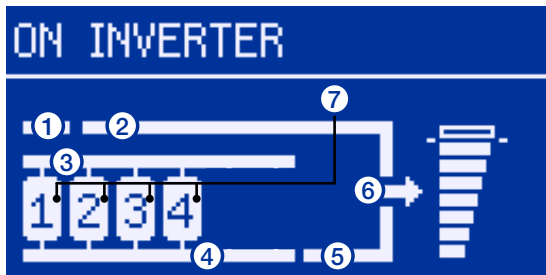
These sequences work only on the MIMIC PANEL page.

When the keypad is locked the key symbol is shown.

8. MENU

8.1 Display overview (SYSTEM)

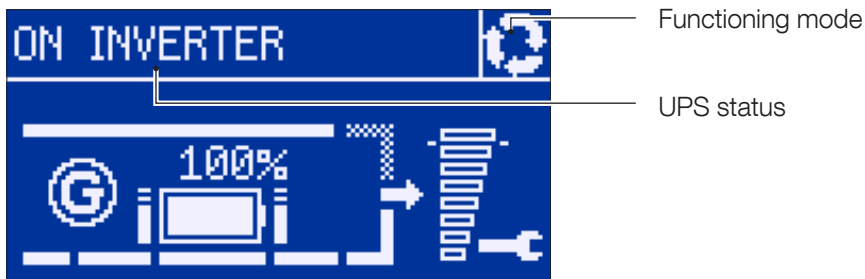
Mimic panel



SEGMENT	DESCRIPTION
1	BYPASS INPUT
2	BYPASS OUTPUT
3	INPUT MAINS
4	UNIT OUTPUT
5	INVERTER OUTPUT
6	SYSTEM OUTPUT
7	N° UNIT

8.2 Display overview (UNIT)







Status bar (always displayed)



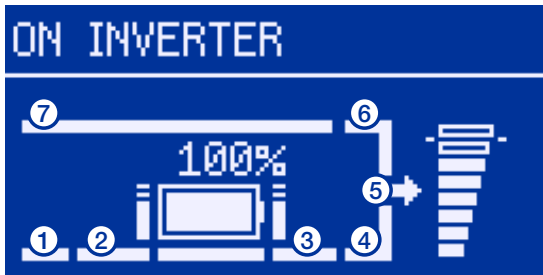
Functioning mode

UPS status


UPS status	Description
UPS STARTING	The start procedure is in progress
UPS STOPPING	The stop procedure is in progress
ON MAINT. BYPASS	The manual bypass is active
IMMINENT STOP	The output supplying switch-off is imminent
ON BATTERY	The output load is on battery
BATTERY TEST	Battery test in progress
ON INVERTER	The output load is on inverter (normal mode)
ON AUTO BYPASS	The output load is on static bypass
UNIT AVAILABLE	Energy saver is active (inverter is off temporarily)
STANDBY	Unit on standby
LOAD OFF	The output load is off

Functioning mode	Description
	The UPS is in maintenance mode
	Output breaker / output relays open
	Eco mode schedule enabled
	An eco mode command has been carried out
	A remote stand-by command has been carried out
	The energy-saver mode has been enabled
<NOTHING DISPLAYED>	Normal mode

Mimic panel



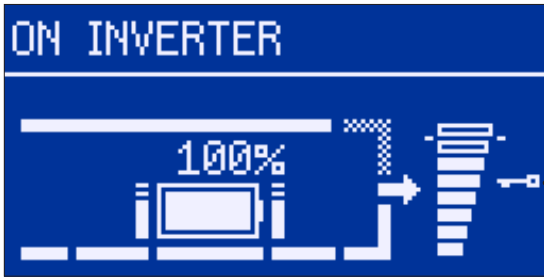
SEGMENT	DESCRIPTION
1	INPUT MAINS
2	RECTIFIER ON
3	INVERTER INPUT OR BATTERY OUTPUT
4	INVERTER OUTPUT
5	UNIT OUTPUT
6	OUTPUT FROM STATIC SWITCH
7	BYPASS INPUT

	<p>NOTE! When in converter mode, 6 and 7 are not shown.</p>
---	--

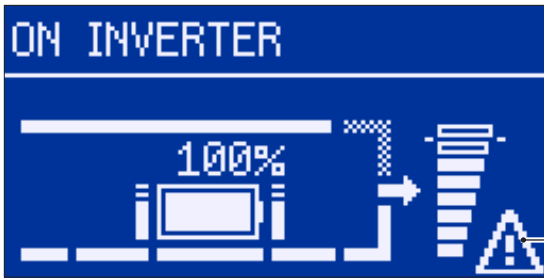
Bar styles identify the energy flow:

- solid: enabled
- dotted: disabled

Additional icons



key icon: displayed if the keypad is locked



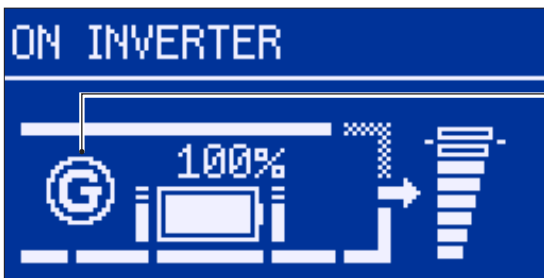
General alarm



On maintenance bypass

Bypass mode (or Eco Mode) not possible

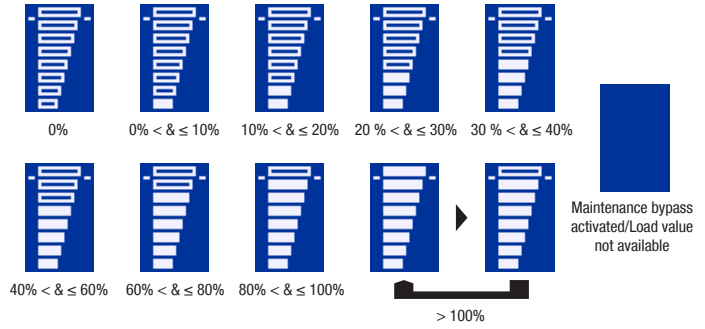
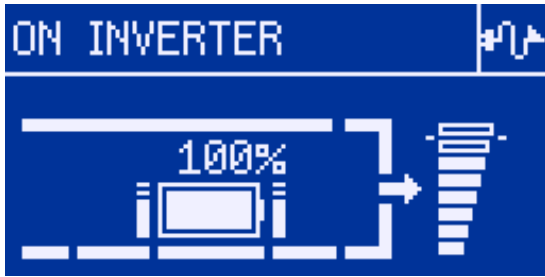
Scheduled Inspection warning: machine inspection required, call SOCOMEC support service



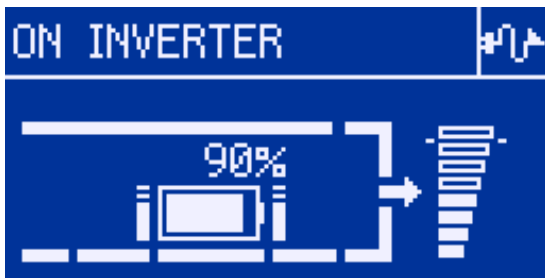
Operating on GenSet

NOTE! Available only with ADC+SL option card

Load level



Battery status



NOTE: Battery symbol is shown only if battery available

Battery charging

Upper level flashing



Battery discharging

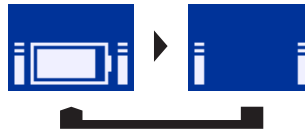
Level reached is flashing



Battery open



Battery alarm flagged



8.3 Menu tree

	Unit view	Sys view
▶ ALARMS	•	•
▶ STATES	•	•
▶ EVENT LOG	•	•
▼ MEASUREMENTS		
▶ OUTPUT MEASURES	•	•
▶ BATT MEASURES	^	^
▶ INPUT MEASURES	•	•
▶ BYPASS MEASURES	•	•
▼ CONTROLS		
▼ PROCEDURES		
▶ START PROCEDURE		•
▶ MAINT. BYPASS PROC.		•
▶ STOP PROCEDURE	•	
▼ BATTERY		
▶ BATT. TEST RESULT	^	^
▶ BATTERY TEST	^	^
▶ BATT TEST SCHEDULE	^	^
▼ ECO MODE		
▶ ECO MODE ON		•
▶ ECO MODE OFF		•
▶ ECO MODE SCHEDULE		•
▼ ENERGY SAVER		
▶ ENERGY SAVER ON		•
▶ ENERGY SAVER OFF		•
▼ MAINTENANCE		
▶ ALARMS RESET	•	•
▶ POSTPONE MAINT. ALARM	•	•
▶ LED TEST	•	•

	Unit view	Sys view
▼ UPS CONFIG		
▼ NETWORK PARAMETERS		
▶ SERVICE CONNECTION	•	
▶ DHCP	^	
▶ IP ADDRESS	•	
▶ SUBNET MASK	^	
▶ GATEWAY	^	
▶ MAC ADDRESS	•	
▶ NETWORK SERVICES	^	
▼ RS232 CONFIGURATION		
▶ SLAVE NUMBER	^	
▶ BAUD RATE	^	
▶ PRIORITY	^	
▶ N BIT	^	
▶ STOP BIT	^	
▼ CLOCK		
▶ DATE		•
▶ TIME		•
▶ REMOTE CTRL		•
▼ COMM SLOT		
▶ TEMPERATURE PROBE	^	^
▶ RS485 PORT SLOT 1	•	
▶ RS485 PORT SLOT 2	•	
▼ REFERENCES		
▶ UPS INFORMATION	•	•
▶ SERIAL NUMBER	•	•
▶ SOCOMEC REFERENCE	•	•
▶ USER DEVICE REF	•	
▶ USER DEV LOCATION	•	
▼ USER PARAM		
▶ LANGUAGE		•
▶ PASSWORD		•
▶ BUZZER		•
▼ ADC+SL CONFIG		
▶ CARD 1	•	
▶ CARD 2	•	

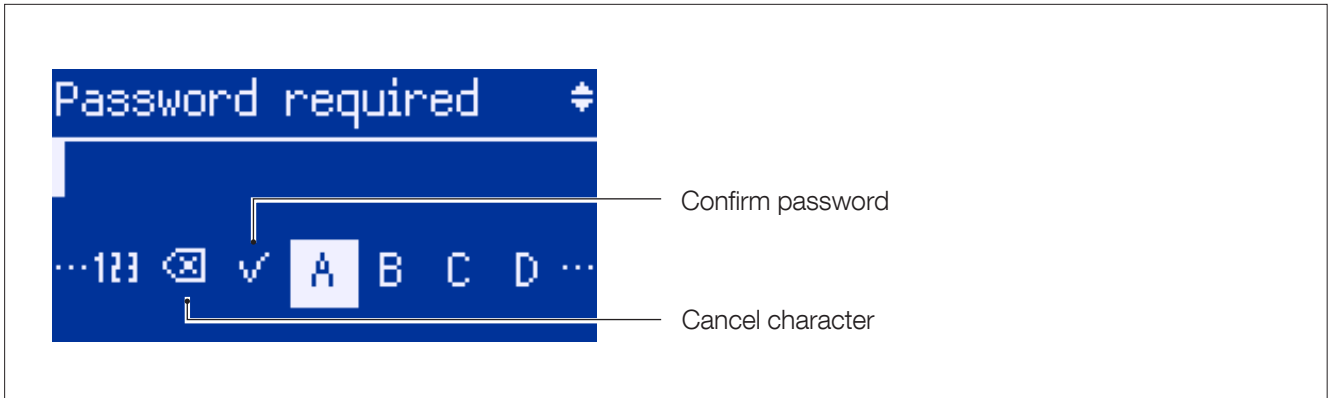
	Unit view	Sys view
▼ SERVICE		
▶ SERVICE CODE	•	
▶ COMMISSIONING CODE	•	
▶ FIRMWARE VERSION	•	
▼ UPS SETTINGS		
▼ OUTPUT		
▶ OUTPUT VOLTAGE		•
▶ OUTPUT FREQUENCY		•
▶ CONVERTER MODE		•
▶ AUTO RESTART		•
▼ BATTERY		
▶ BATTERY AVAILABLE	^	^
▶ BATTERY CONNECTION	^	^
▶ BATTERY TYPE	^	^
▶ RECHARGE TYPE	^	^
▶ CAPACITY	^	^
▶ NO. OF CELLS	^	^
▶ NO. OF BLOCKS	^	^
▶ PREMIN. VOLTAGE	^	^
▶ MIN. VOLTAGE	^	^
▶ FLOATING VOLTAGE	^	^
▶ RECH. CURR. LIMIT	^	^
▶ TEMP. COMPENSATION	^	^
▶ MAINS CONFIGURATION		•
▼ PARALLEL SYSTEM		
▶ UNITS IN PARALLEL		•
▶ REDUNDANCY LEVEL		•
▶ UPO CONFIGURATION		•

(^). depending on setting.

8.4 Menu function descriptions

8.4.1 Entering passwords

Some operations and settings require a password in order to be performed.



The default password is **SOCO**.

Press **UP** and **DOWN** to scroll the letters. Press **ENT** to confirm the selection or **ESC** to abort.

8.4.2 ALARM menu

This menu displays all pending UPS alarms.

To reset alarms enter the menu **MAIN MENU > CONTROLS > MAINTENANCE > ALARMS RESET**.

If there is more than one page press **UP/DOWN** to scroll pages.

8.4.3 STATUS menu

This menu displays all UPS ON statuses.

If there is more than one page press **UP/DOWN** to scroll pages.

8.4.4 EVENT LOG menu

This menu accesses the event log (Status and Alarms).

8.4.5 MEASUREMENTS menu

This menu displays all UPS measurements relating to the input stage, output stage, batteries and auxiliary mains (bypass).

If there is more than one page press **UP/DOWN** to scroll pages.

8.4.6 CONTROLS menu

This menu contains the controls that can be sent to the UPS. Some of them are password protected. If a command is not available, a **COMMAND FAILURE** message appears.

- **PROCEDURES: START/STOP/BYPASS** see 'Operating procedures' chapter.
- **BATTERY: TEST**: this function checks whether or not test conditions are available then returns the results.
- **ECO MODE: ON/OFF**: this function sets/resets the **ECO MODE**.
- **ENERGY SAVER: ON/OFF**: this function sets/resets the **ENERGY SAVER MODE**.
- **MAINTENANCE: ALARMS RESET**: this function clears the alarm history, **LED TEST**: this function activates the LED by flashing for few seconds, **USER REPORT**.

8.4.7 USER PARAM menu

This menu contains all the machine settings such as language, date and buzzer.

To reset the language back to English, press the **ESC** button for 5 seconds.

System critical parameters are password protected and should be changed by specialist personnel only.


8.4.8 SERVICE menu

This menu is reserved for support service personnel and holds UPS identification data and utilities for software upgrades.

- **Service code menu:**

This displays the service code to be sent to the support service to make an accurate and rapid diagnostic of the problem. In the event of a fault, select the menu MAIN MENU > SERVICE > SERVICE CODE and inform the support centre of the code displayed.

- **Commissioning Code menu:**


	NOTE! The Commissioning Code is requested and mandatory to start-up the unit.
---	--

The **Commissioning Code** is provided directly by the reference Support Centre upon communication of the serial number. When contact is made with the Support Centre for the **Commissioning Code**, detailed information can be obtained on the UPS functions available and on regular preventive maintenance programmes.



- **UPS settings menu:**


UPS SETTINGS: critical machine settings for output, batteries and backfeed.

Some parameters cannot be modified when the UPS supplies the load by INVERTER or BYPASS.

	Wrongly configured UPS SETTINGS could damage the load or batteries.
--	--

9. OPERATING PROCEDURES



	NOTE! Before carrying out any operations on the unit read the 'Safety standards' chapter carefully.
	NOTE! While a procedure is being performed, the switches' closing/opening need to be confirmed by pressing the ENTER button.



Request to fulfill

Confirm and go to next step

Abort procedure

	NOTE! For the position of the switches refer to the 'Overview' chapter.
	NOTE! For the cabling of the UPS refer to the 'Connections' chapter.


9.1 Switching ON

- Connect the mains and auxiliary mains to the UPS.
- Switch **ON** input switch **Q1**.
- Wait until display switch on.
- Enter MAIN MENU > CONTROLS > PROCEDURES.
- Select START PROCEDURE and press **ENTER**.
- Carry out the operations indicated on the display.

9.2 Switching OFF

This operation interrupts the power supply to the load. The UPS and the battery charger will be shut down.

- Enter MAIN MENU > CONTROLS > PROCEDURES.
- Select STOP PROCEDURE and press **ENTER**.
- Wait approx. 2 minutes for the UPS shutdown.

	NOTE: the controlled shutdown of each server connected to the LAN can be managed by shut-down software.
---	--

- Carry out the operations indicated on the display.

9.3 Bypass operations

Switching onto maintenance bypass

This operation creates a direct connection between the UPS input and output, excluding the equipment control part. This operation is performed in the event of:

- standard maintenance.
- serious failure has occurred.



WARNING! LOAD POWERED BY AUXILIARY MAINS: your load is exposed to mains disturbances.

- Enter MAIN MENU > CONTROLS > PROCEDURES.
- Select MAINT. BYPASS PROC. and press **ENTER**.
- Carry out the operations indicated on the display.



NOTE!
When an external manual bypass is present:

- carry out the procedure described above;
- put the switch to position 1.

Switching on from maintenance bypass

- Put switch **Q1** into position **1** (mains ON).
- Wait for the display to switch on.
- Enter MAIN MENU > CONTROLS > PROCEDURES.
- Select START PROCEDURE and press **ENTER**.
- Carry out the operations indicated on the display.



NOTE!
When an external maintenance bypass⁽¹⁾ is present, put the switch to position 0 (OFF).



1. Not monitored by the single UPS.

9.4 Extended out of service

When the UPS is deactivated for some time, the batteries must be recharged regularly. They should be recharged every three months.

- Connect the mains and auxiliary mains to the UPS.
- Switch **ON** input switch **Q1**.
- Wait until displays switch on.
- Enter MAIN MENU > CONTROLS > PROCEDURES.
- Select START PROCEDURE and press **ENTER**.
- Carry out the operations indicated on the display.
- Be sure that the battery breaker is closed.
- Check that output switch **Q3** is **OFF**.
- The battery must be charged for at least ten hours.
- Once ten hours have elapsed, carry out the Stop procedure to deactivate the UPS.

9.5 Emergency shutdown

	NOTE! This operations interrupts the supply to the output load from both inverters and automatic bypass.
	If the UPS is operating from the maintenance bypass with the mains present, the emergency shutdown does not interrupt the power supply to the load. In emergency conditions all power supplies upstream of the UPS must be disconnected.

Put **Q3** to position 0 when it's necessary to interrupt the output power supply quickly.

9.6 UPS power off (U.P.O.)

A Power Off button can be installed outside the unit when it's necessary to interrupt the UPS quickly (see 'Overview' chapter).

To restart the UPS, reset the alarm after the U.P.O activation.

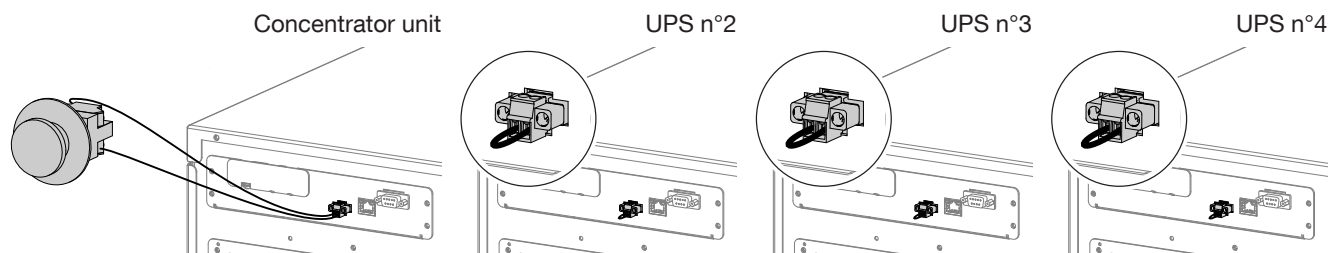
The electrical characteristics of the signal are:

UPS POWER OFF		
max cable section	voltage (SELV)	current
AWG 16	15 V	5 mA

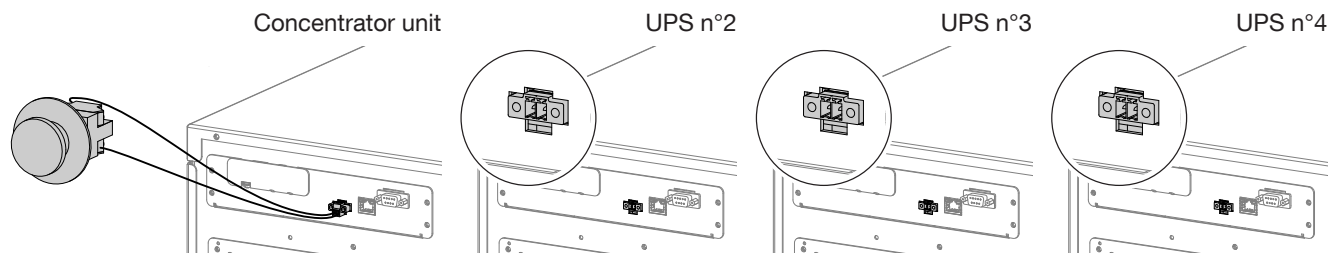
To configure enter MAIN MENU > SERVICE > UPS CONFIG > UPO CONFIGURATION.

There are three different configuration modes:

- **DISABLED** (the 'UPS Power Off' doesn't work. Default mode).
- **NORMALLY CLOSED** (the UPS is powered off when the button/switch connected to the UPO is open).



- **NORMALLY OPEN** (the UPS is powered off when the button switch connected to the UPO is closed).



NOTE!
Use double-insulated cable for U.P.O. signals.

10. OPERATING MODES

10.1 On line mode

A special feature of the UPS is the ONLINE double conversion in conjunction with low distortion mains power absorption. In ON LINE mode, the UPS can supply a voltage that is fully stabilised in frequency and amplitude, regardless of any interference in the mains power supply, within the most stringent classification of UPS regulations.

ON LINE operation provides three operating modes according to mains and load conditions:

- Inverter mode

This is the most frequent operating condition: energy is drawn from the primary mains power supply and converted and used by the inverter to generate the output voltage to power the connected loads.

The inverter is constantly synchronised in frequency with the auxiliary mains to enable load transfer (due to an overload or inverter shutdown) without any break in the power supply to the load.

The battery charger supplies the energy required to maintain or recharge the battery.

- Bypass mode

In the event of inverter failure, the load is automatically transferred onto the auxiliary mains without any interruption in the power supply.

This procedure may occur in the following situations:

- in the event of a temporary overload, the inverter continues to power the load. If the condition persists, the UPS output is switched on to the auxiliary mains via automatic bypass. Normal operation, which is from the inverter, returns automatically a few seconds after the overload disappears.
- when the voltage generated by the inverter goes outside the limits due to a major overload or a fault on the inverter.
- when the internal temperature exceeds the maximum value allowed.

- Battery mode

In the event of a mains failure (micro interruptions or extended power cuts), the UPS continues to power the load using the energy stored in the battery.

10.2 High efficiency mode (ECO MODE)

The UPS has a selectable, programmable economy operating mode (ECO MODE) that can increase overall efficiency by up to 99% for energy saving purposes. If the power supply fails, the UPS will automatically switch onto the inverter and continue to supply power to the load by drawing energy from the battery.

This mode does not provide perfect stability in frequency and voltage like the ON LINE mode. Therefore the use of this mode should be carefully evaluated according to the level of protection required by the application. With the optional board Net Vision specific daily or weekly time intervals can be selected and programmed to power applications directly from the auxiliary mains.

ECO MODE operation provides very high efficiency, since the application is powered directly from the auxiliary mains via the automatic bypass under normal operating conditions.

To activate follow the correct procedure in the control panel (enter MAIN MENU > CONTROLS > ECO MODE).

10.3 Energy Saver mode

Energy Saver ensures system availability and simultaneously reduces energy consumption. It is available for parallel systems with more than two units. Energy Saver can be activated in: MAIN MENU > CONTROLS > ENERGY SAVER. A high speed digital control is used to keep only the units needed to supply the energy to the load in operation. When the power consumed by the load increases the UPS units needed to supply the increased power requirements switch on immediately.

10.4 Converter mode

In converter mode the UPS can supply a fully stabilised sinusoidal output voltage with a different frequency from the input power line (50Hz or 60Hz is available as output frequency value).

Converter mode can be activated in: MAIN MENU > SERVICE > UPS CONFIG > OUTPUT > CONVERTER MODE.



NOTE: only set this mode on UPS units with the auxiliary mains (AUXILIARY MAINS) disconnected! Do not set this mode on UPS units with common mains lines as it could damage the load!

10.5 Operation with maintenance bypass

If the internal maintenance bypass is activated using the appropriate procedure, the load is powered directly from the maintenance bypass, while the UPS is separated from the power supply and can be switched off.









This operating mode can be selected for maintenance to be carried out on the system, so that the necessary actions can be performed by service personnel without having to disconnect the power supply to the load.

10.6 Operation with motor generator (GENSET)

The UPS can be operated in conjunction with a generator (GENSET) over the ADC+SL card (refer to 'Standard features and option' chapter). With a generator, the frequency and voltage ranges of the auxiliary mains can be increased to accept the instability of the GENSET and at the same time to avoid operation from the battery or risks of out-of-synchronisation switching on to the bypass.

11. STANDARD FEATURES AND OPTION

Availability	
STD	Standard feature
●	Factory-installed option
○	Available as option

Features	MASTERYS BC+	Note
	10-15-20 kVA	
Communication Option		
Standard web pages	STD	
ADC+SL card <i>(Advanced Dry Contact + Serial Link)</i>	○ ⁽¹⁾	
Temperature sensor	○ ⁽¹⁾	  ADC+SL card
Remote touchscreen display	○ ⁽¹⁾	  ADC+SL card
Net Vision card	○ ⁽¹⁾	
EMD <i>(Environmental Monitoring Device)</i>	○ ⁽¹⁾	  Net Vision card
Modbus TCP card	○ ⁽¹⁾	
BACnet card	○ ⁽¹⁾	
PROFIBUS protocol interface		  ADC+SL card
Electrical Option		
External maintenance bypass	○	
Internal Backfeed Protection	●	
Kit For Common Mains	STD (3/3)	
Kit For Separate Mains	STD (3/1) ● (3/3)	
Kit for TN-C / Neutral-Ground connection	○	
Mechanical Option		
Ramp for UPS unloading	○	
Kit for Front Cover	○	
Kit for Front and Lateral Cover	○	
Kit for IP21	○	

1. In case of units in parallel, these options have to be installed in option slots on the concentrator unit (unit 1 by default).

 Required option



 Incompatible option

11.1 Standard web pages

The UPS can be remotely monitored using an Internet browser⁽¹⁾.

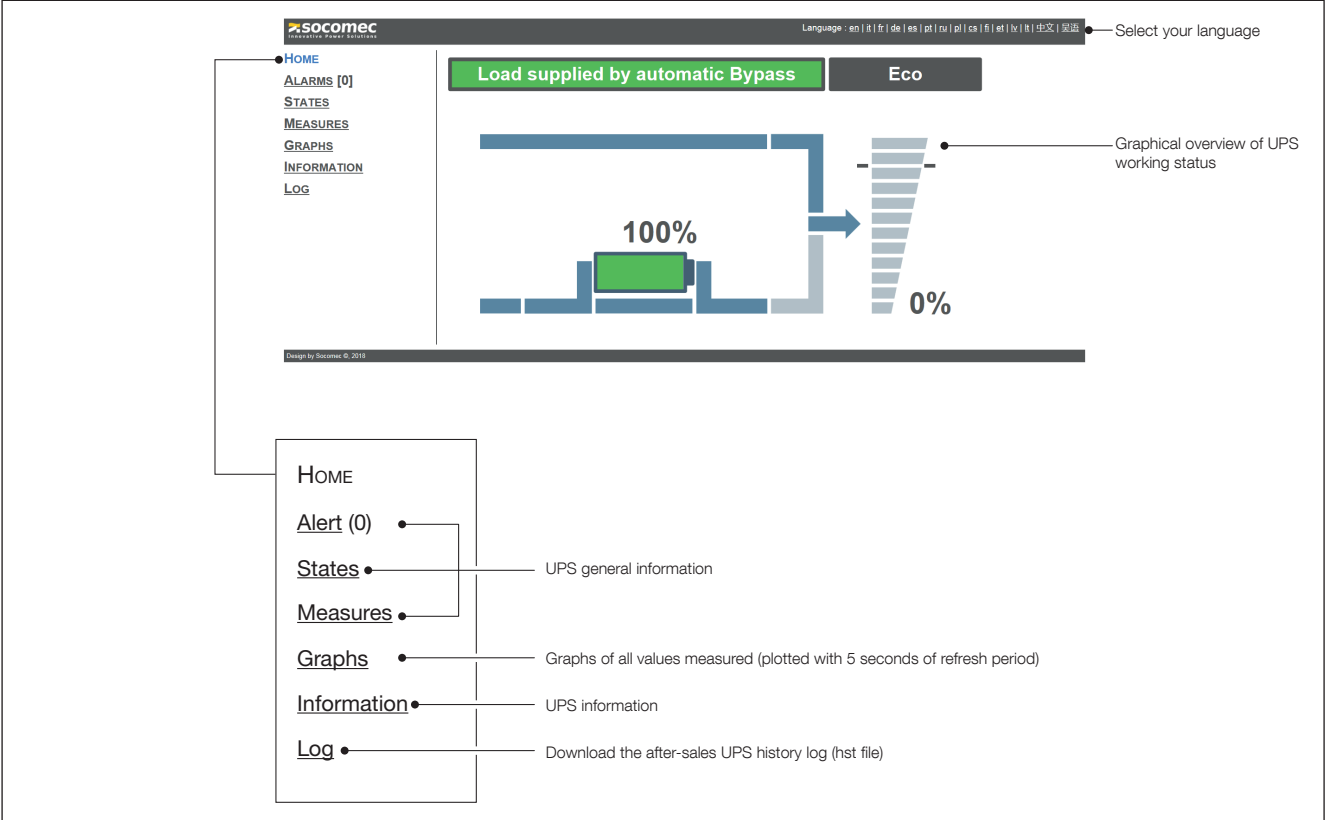
To remotely monitor the UPS, connect the browser to the UPS IP on port 80.

The IP can be found into MAIN MENU > UPS CONFIG > NETWORK PARAMETERS > IP ADDRESS.

	NOTE! The web server is a read-only interface, no commands/settings can be sent to the UPS remotely.
	NOTE: Ethernet cable must not exceed 30 meters. To use CAT 5e shielded (FTP) cable.

To set the network configuration enter MAIN MENU > UPS CONFIG > NETWORK PARAMETERS.

In this menu it's possible to manage the DHCP and set the static IP address, subnet mask and gateway.



The screenshot shows the Socomec web interface. At the top right, there is a language selection dropdown with options: en | fr | de | es | pt | ru | pl | cs | fr | et | tr | 中文 | 汉语. The main dashboard features a navigation menu on the left with items: HOME, ALARMS [0], STATES, MEASURES, GRAPHS, INFORMATION, and LOG. The central area displays a graphical overview of the UPS working status, including a bar chart showing 'Load supplied by automatic Bypass' at 100% and a 'Eco' mode indicator. A legend on the right explains the navigation menu items: HOME, Alert (0), States (UPS general information), Measures, Graphs (Graphs of all values measured (plotted with 5 seconds of refresh period)), Information (UPS information), and Log (Download the after-sales UPS history log (hst file)).



This screenshot provides a detailed view of the Socomec web interface. It shows the 'Alerts' section with a list of active alerts, the 'States' section with various status indicators, and the 'Measures' section with a table of real-time data. The 'Graphs' section displays two line charts showing historical data trends. The interface is organized into multiple panels, each with a sub-header and detailed data.

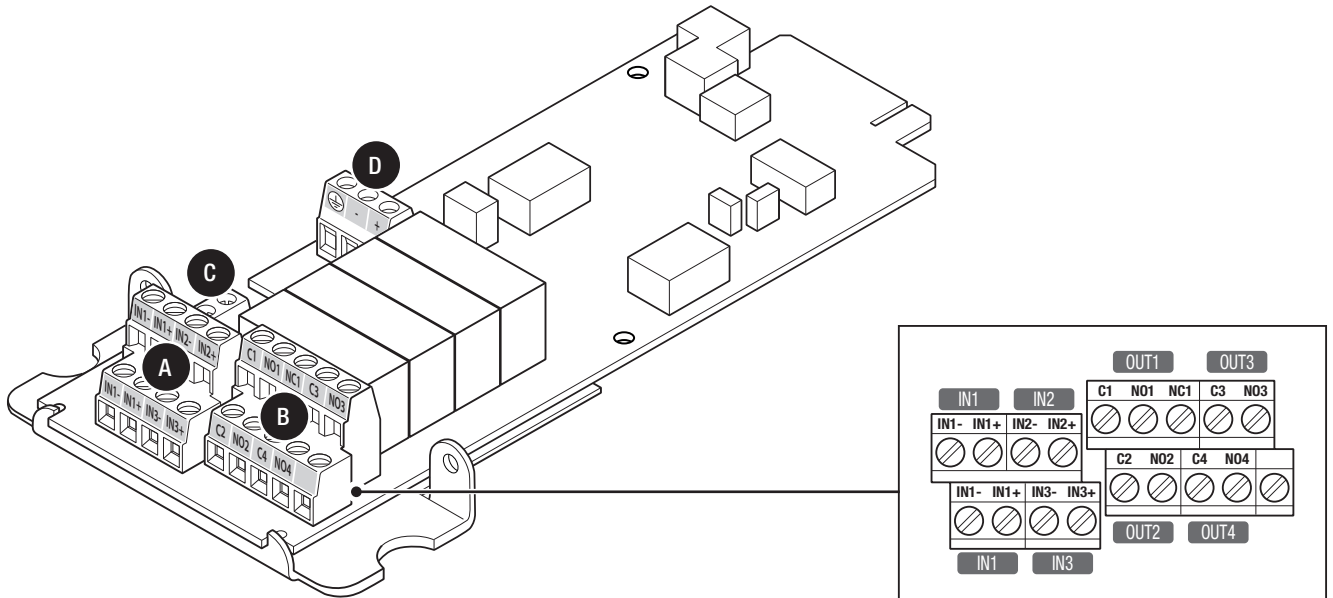
1. Tested on Windows 7 with IE 9, Chrome 36, Firefox 24, Safari 5.0 with javascript enabled through a standard Ethernet connection.

11.2 ADC+SL card

The ADC+SL (Advanced Dry Contact + Serial Link) is a slot optional board that provides:

- 4 relays for external device activation (can be set as normally closed or normally open).
- 3 free inputs to report external contacts to UPS.
- 1 connector for external battery temperature sensor (optional).
- RS485 insulated serial link providing MODBUS RTU protocol.
- 2 LEDs indicating board status.

The board is plug&play: the UPS is able to recognise its presence and configuration. It is possible to create a custom operation mode through after sales service.



KEY

- A** 3 free inputs to link external contacts to UPS.
- B** 4 relays for external device activation.
- C** 1 connector for external temperature sensor.
- D** RS485 insulated serial link.



NOTE!

If the board is removed while operating, an alarm is flagged on the control panel. Perform an "Alarm reset" control to cancel it.

Input

- Free voltage loop.
- INx+ has to be connected to INx- to close the loop on **A** connector.
- Inputs must be isolated with basic insulation from a primary circuit up to 277 V.
- IN1 is duplicated, giving the possibility to link the UPS POWER OFF signal to other equipment, for example.

Relay outputs

- Contact voltage guaranteed at 277 V (AC) / 25 V (DC) – 4 A (for higher voltage, please contact the manufacturer).
- Relay 1 gives the possibility of choosing between normally closed (NC1) or normally open (NO1) position. Relays 2, 3 and 4 only have normally open position (NOx).
- On connector **B**, Cx means common, NOx means normally open position.

STANDARD configuration (default)

IN/OUT	DESCRIPTION	ACTIVATION DELAY (s)	REMARK ⁽¹⁾	INPUT TYPE	STATE
IN1	UPS POWER OFF	1	Command sent to UPS [®]	Close to activate	Normally open
IN2	GEN SET ON	1	Activate S023 status	Open to activate	Normally closed
IN3	INSULATION FAULT	10	Activate A026	Open to activate	Normally closed
RELAY 1	GENERAL ALARM	10	(NC1 or NO1 position can be chosen) Relating to A015		Normally open/closed
RELAY 2	OPERATING ON BATTERY	30	Relating to A019		Normally open
RELAY 3	END OF BACK-UP TIME	10	Relating to A017		Normally open
	IMMINENT STOP	10	Relating to A000		Normally open
RELAY 4	LOAD SUPPLIED BY AUTO-MATIC BYPASS	10	Relating to S002		Normally open

OPTIONS SUPERVISOR configuration

IN/OUT	DESCRIPTION	ACTIVATION DELAY (s)	REMARK ⁽¹⁾	INPUT TYPE	STATE
IN1	UPS POWER OFF	1	Command sent to UPS [®]	Close to activate	Normally open
IN2	FAN FAILURE	10	Activate A054	Close to activate	Normally open
IN3	BATTERY DISCONNECTED	10	Activate A016	Open to activate	Normally closed
RELAY 1	GENERAL ALARM	10	(NC1 or NO1 position can be chosen) Relating to A015		Normally open/closed
RELAY 2	OPERATING ON BATTERY	30	Relating to A019		Normally open
RELAY 3	REDUNDANCY LOST	10	Relating to A006		Normally open
RELAY 4	BATTERY DISCONNECTED	1	Relating to A016		Normally open

SAFETY configuration

IN/OUT	DESCRIPTION	ACTIVATION DELAY (s)	REMARK ⁽¹⁾	INPUT TYPE	STATE
IN1	UPS POWER OFF	1	Command sent to UPS [®]	Close to activate	Normally open
IN2	INSULATION FAULT	1	Activate A026	Open to activate	Normally closed
IN3	CHARGER DISABLE/ENABLE	10	Command sent to UPS [®]	Open to activate	Normally closed
RELAY 1	GENERAL ALARM	10	(NC1 or NO1 position can be chosen) Relating to A015		Normally open/closed
RELAY 2	UPS POWER OFF	1	Relating to A059		Normally open
RELAY 3	END OF BACK-UP TIME	10	Relating to A017		Normally open
	IMMINENT STOP	10	Relating to A000		Normally open
RELAY 4	INSULATION FAULT	1	Relating to A026		Normally open

ENVIRONMENTAL configuration

IN/OUT	DESCRIPTION	ACTIVATION DELAY (s)	REMARK ⁽¹⁾	INPUT TYPE	STATE
IN1	UPS POWER OFF	1	Command sent to UPS [®]	Close to activate	Normally open
IN2	PROGRAMMABLE ALARM	10	Activate A064	Open to activate	Normally closed
IN3	BATTERY TEMPERATURE ALARM	10	Activate A020	Open to activate	Normally closed
RELAY 1	GENERAL ALARM	10	(NC1 or NO1 position can be chosen) Relating to A015		Normally open/closed
RELAY 2	BATTERY TEMPERATURE ALARM	10	Relating to A020		Normally open
RELAY 3	REDUNDANCY LOST	10	Relating to A006		Normally open
	OVERLOAD	10	Relating to A001		Normally open
RELAY 4	PROGRAMMABLE ALARM	10	Relating to A064		Normally open

EXTERNAL MAINTENANCE BYPASS configuration

IN/OUT	DESCRIPTION	ACTIVATION DELAY (s)	REMARK ⁽¹⁾	INPUT TYPE	STATE
IN1	UPS POWER OFF	1	Command sent to UPS [®]	Close to activate	Normally open
IN2	GEN SET ON	1	Activate S023 status	Open to activate	Normally closed
IN3	EXTERNAL MAINTENANCE BYPASS CLOSED	10	Activate S018 status	Open to activate	Normally closed
RELAY 1	GENERAL ALARM	10	(NC1 or NO1 position can be chosen) Relating to A015		Normally open/closed
RELAY 2	OPERATING ON BATTERY	30	Relating to A019		Normally open
RELAY 3	END OF BACK-UP TIME	10	Relating to A017		Normally open
	IMMINENT STOP	10	Relating to A000		Normally open
RELAY 4	LOAD SUPPLIED BY AUTO-MATIC BYPASS	10	Relating to S002		Normally open

1. The acronyms mentioned are linked to MODBUS table (Snnn=Status/Annn=Alarm).

2. A self-locking emergency push button must be used for the UPS Power Off input.

Note: custom configuration is also available. For more information contact Socomec.

RS485 serial link

- Insulated RS485, protected against over voltage. Only for local bus purposes; maximum ~500 m.
- Pull up and pull down line resistor XJ1 (failsafe biasing): jumper open by default.
- Possibility of fixing the RS485 cable to the board.
- Cable type required: twister pair cable + shield to connect to ground. (AWG 24, 0.2 mm² for example).

The INPUT and RELAYS are managed with information coming from the UPS.



NOTE!

Inputs and relays can be re-programmed depending on requirements.
Contact your SOCOMEC after-sales service to change Input/Output programming.

Information coming from inputs can be reported in the UPS database for display on the mimic panel and is accessible on the MODBUS table.

The UPS can manage up to two ADC+SL option cards. The cards can be re-programmed for other uses.

In this specific case, the 2 serial links (SLOT 1 and SLOT 2) are independent.

Modbus serial link

The RS485 provides MODBUS RTU protocol.

The description of MODBUS addresses and UPS database are described in the MODBUS user manual. All manuals are available on SOCOMEC's web site (www.socomec.com).

Serial link settings

COM1 relates to serial port on board in SLOT 1.

COM2 relates to serial port on board in SLOT 2.

Settings are available via the mimic panel to configure:

- Baud rate: 2400, 4800, 9600, 19200, 38400, 57600, 115200.
- Parity: None, Even, Odd.
- MODBUS slave number: 1 to 32.

Board status

Board presence is reported through status S064 for slot 1 and S065 for slot 2.

In the case of board failure, 'Option board alarm' (A062) occurs to prevent malfunctioning.

11.2.1 Temperature sensor

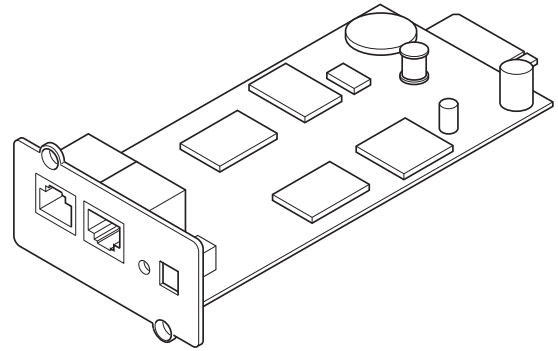
The temperature sensor can be used to monitor the battery temperature.

The ADC+SL card can be ordered with or without the temperature sensor in kit.

11.3 Net Vision card

NET VISION is a communication and management interface designed for business networks. The UPS behaves exactly like a networked peripheral, it can be managed remotely, and allows the shutdown of network workstations.

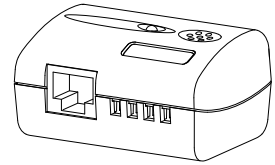
NET VISION allows a direct interface between the UPS and LAN network avoiding dependence on the server and support SMTP, SNMP, DHCP and many other protocols. It interacts via the web browser.



11.3.1 EMD

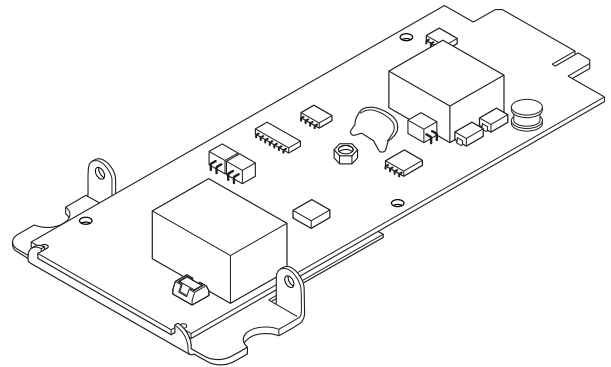
EMD (Environmental Monitoring Device) is a device to be used in conjunction with the NET VISION interface and provides the following features:

- temperature and humidity measurements + dry contact inputs,
- alarm thresholds configurable via Web browser,
- notification of environmental alarm via email and SNMP traps.



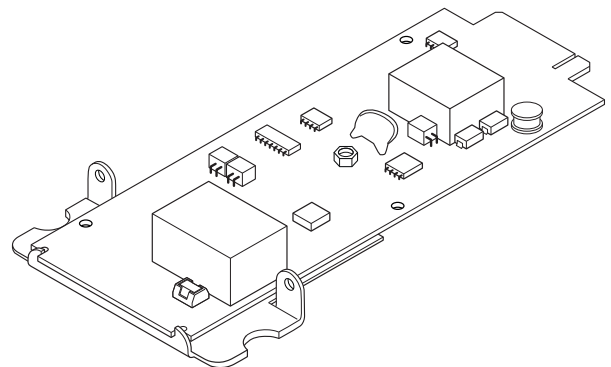
11.4 Modbus TCP card

With the MODBUS TCP card fitted in the options slot, the UPS can be monitored from remote stations using the appropriate protocol (MODBUS TCP - IDA).

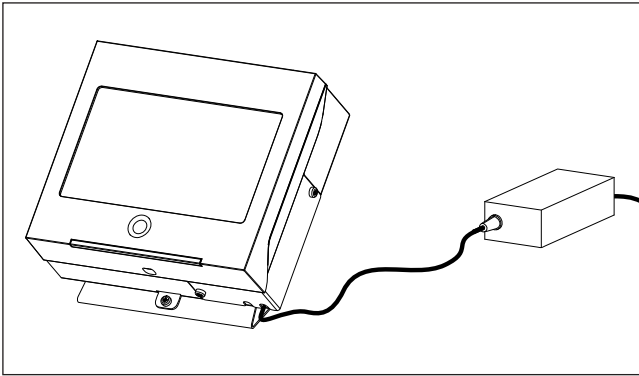


11.5 BACnet card

With the BACnet card fitted in the options slot, the UPS can be monitored from remote stations using the appropriate protocol (BACnet - IDA).



11.6 Remote touchscreen display



NOTE!
Available only with ADC+SL option card.

11.7 PROFIBUS protocol interface

Socomec UPS can be provided with an interface of PROFIBUS ® DP slave type for the UPS to be connected to a PROFIBUS ® PLC.

PROFIBUS ® protocol is aimed at exchanging data between input/output monitoring devices and a master unit. The frame exchanged with the PLC only manages input data comprising a maximum of 255 bytes. Controls that are considered as output data are not managed by means of the PROFIBUS ® coupler.

11.8 Software option

Visit www.socomec.com and enter **DOWNLOAD > SOFTWARE > UPS SOFTWARE** to find the communication software suitable for your requirements.



NOTE!
Before performing any operations, check that the software is compatible with your UPS model.

11.9 Internal Backfeed Protection

Internal backfeed protection for Mains and Auxiliary Mains.
For further information contact SOCOMECEC.



11.10 External maintenance bypass

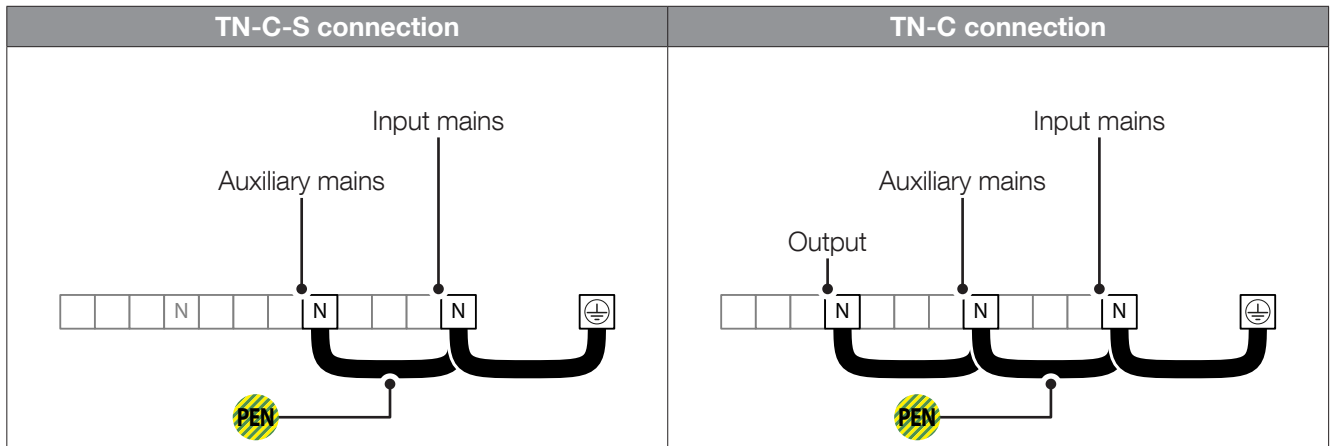
The external maintenance bypass is designed to provide maximum system availability for critical equipment. It offers the possibility of transferring the load to an alternative power path allowing full isolation of the UPS. In this case the UPS can be turned off and removed without power interruption at the connected loads.

For further information contact SOCOMECEC.

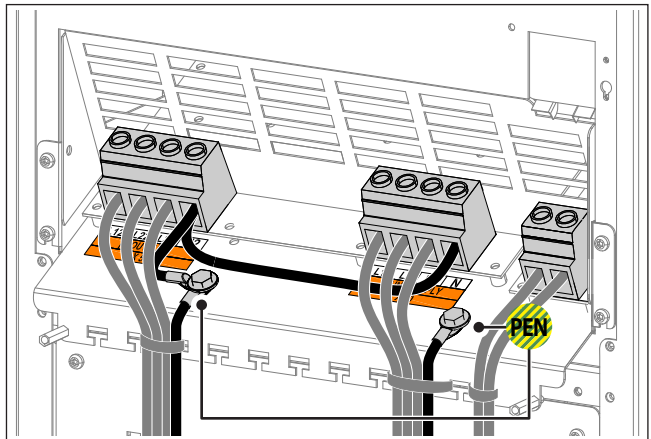
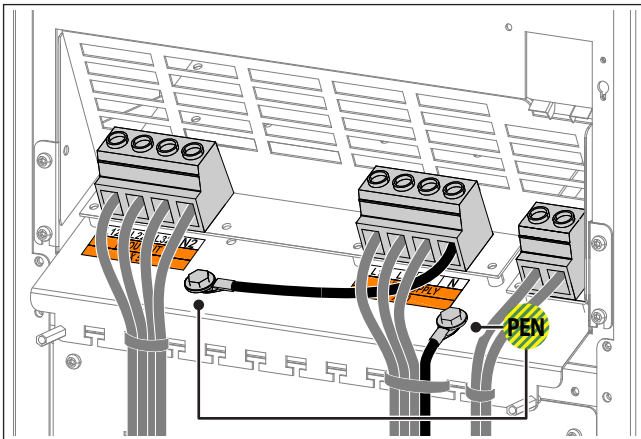
11.11 Kit for TN-C / Neutral-Ground connection

All UPS switches interrupt the neutral cables so for the TN-C system the PEN wires must be connected to the N terminals and earth screws together outside the UPS, in accordance with IEC 60365-5-54 §543.4 (see figure). For further information contact SOCOMEC.

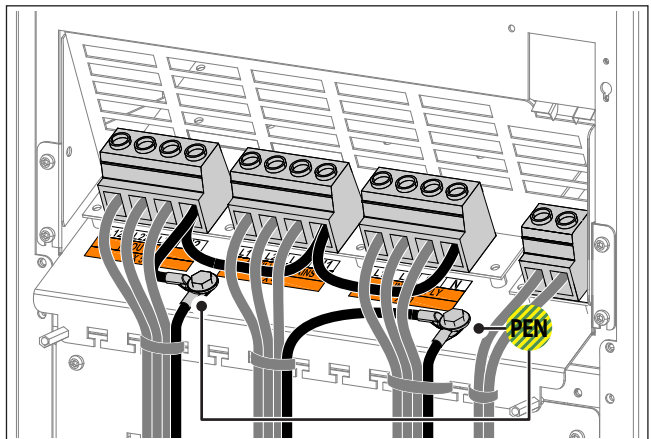
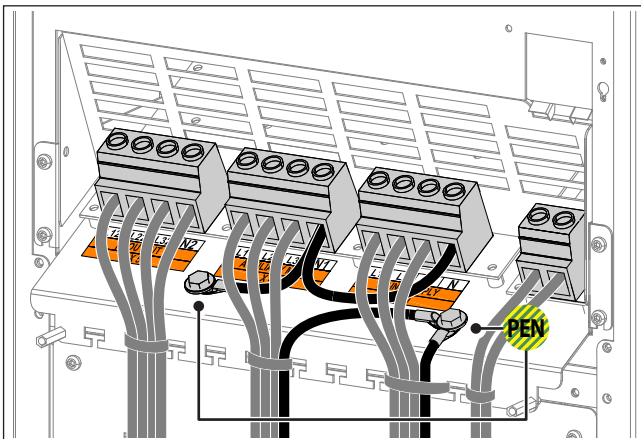
	<p>The UPS doesn't assure the continuity of the neutral conductor. The output neutral has not to be used as PEN connection for the load.</p>
	<p>The PEN conductor is not allowed in case of unbalanced and third harmonic current circulation.</p>



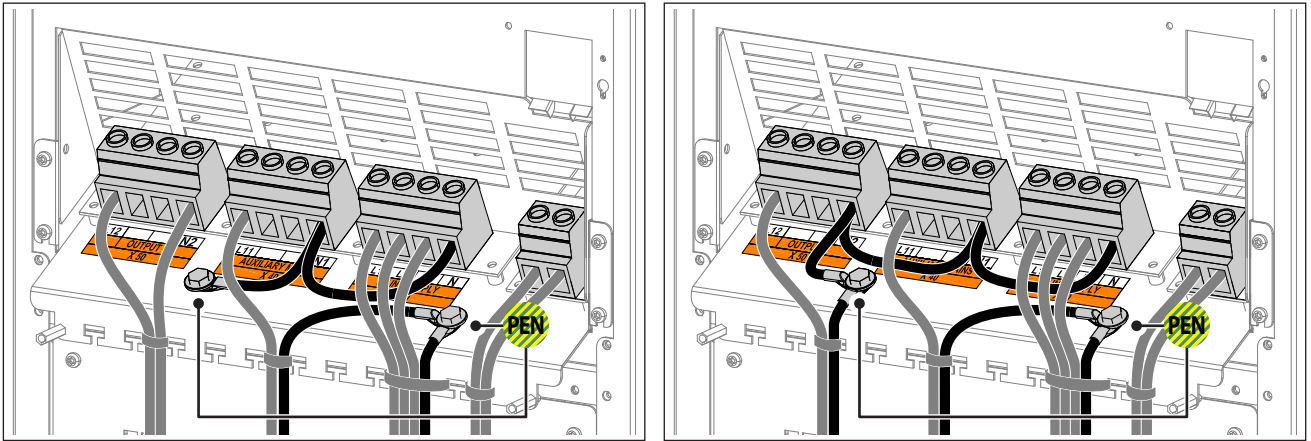
Mains and auxiliary mains connected in common (3/3 models)



Mains and auxiliary mains connected separately (3/3 models)

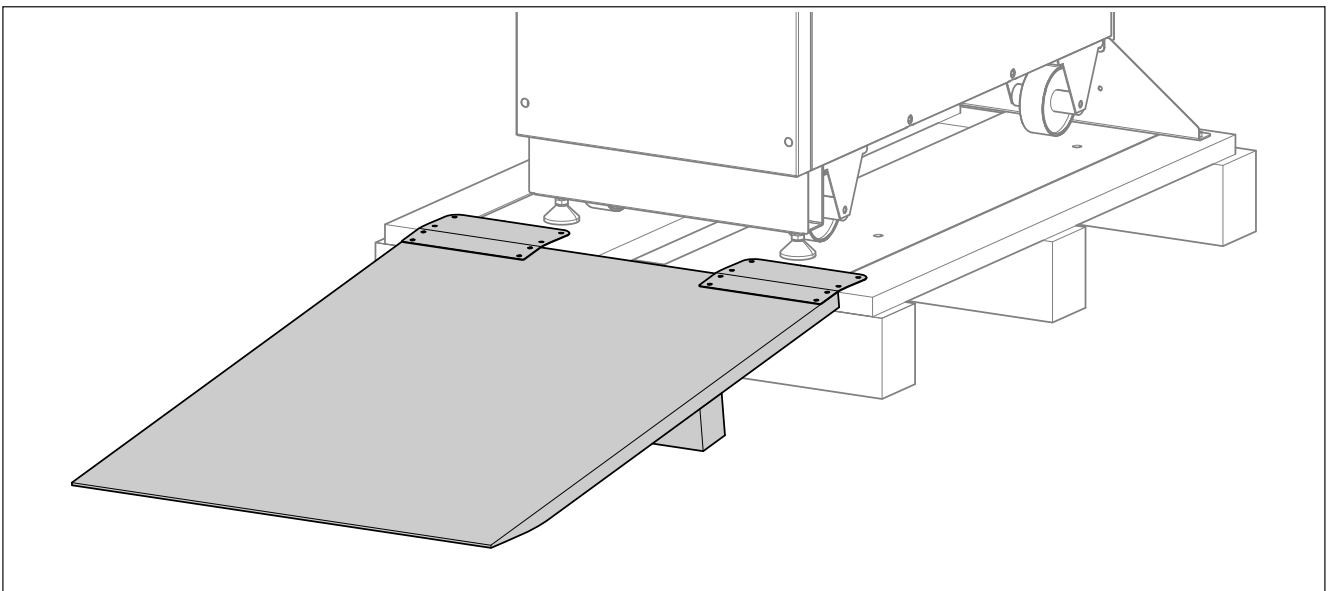


Mains and auxiliary mains connected separately (3/1 models)

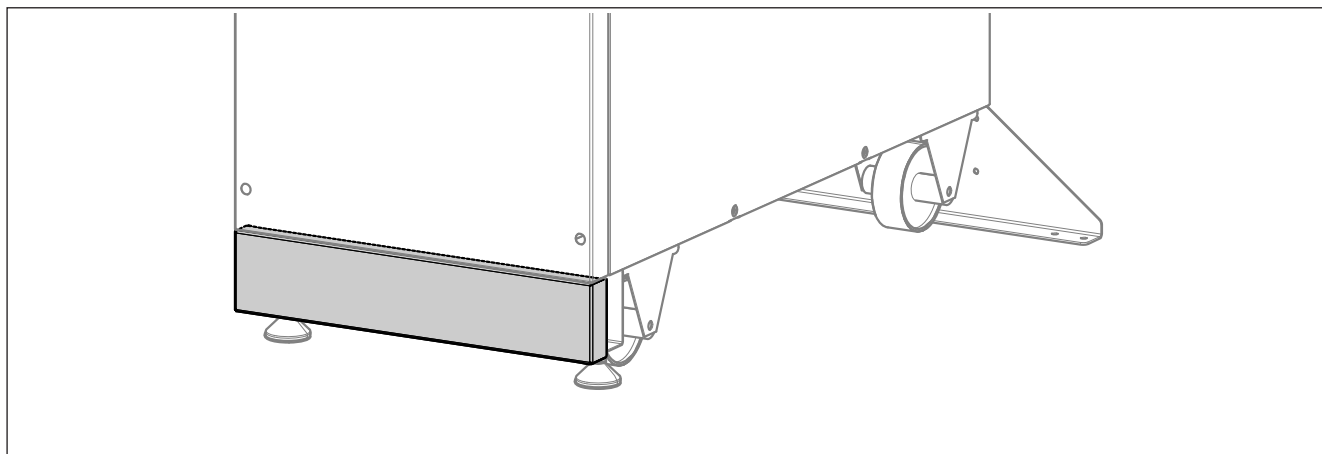


Use the same Neutral PEN section of the power connections.

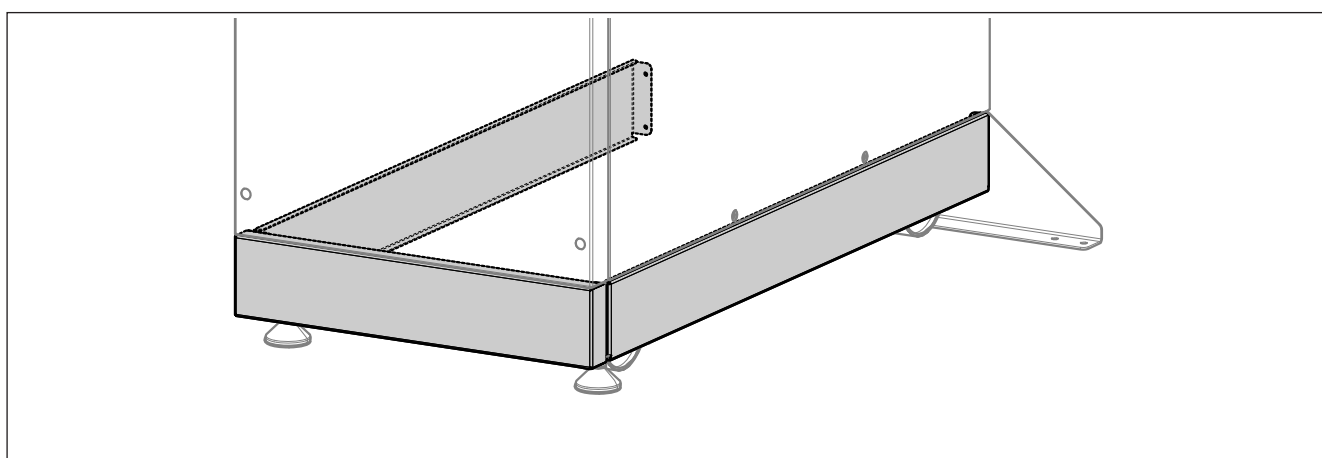
11.12 Ramp for UPS unloading



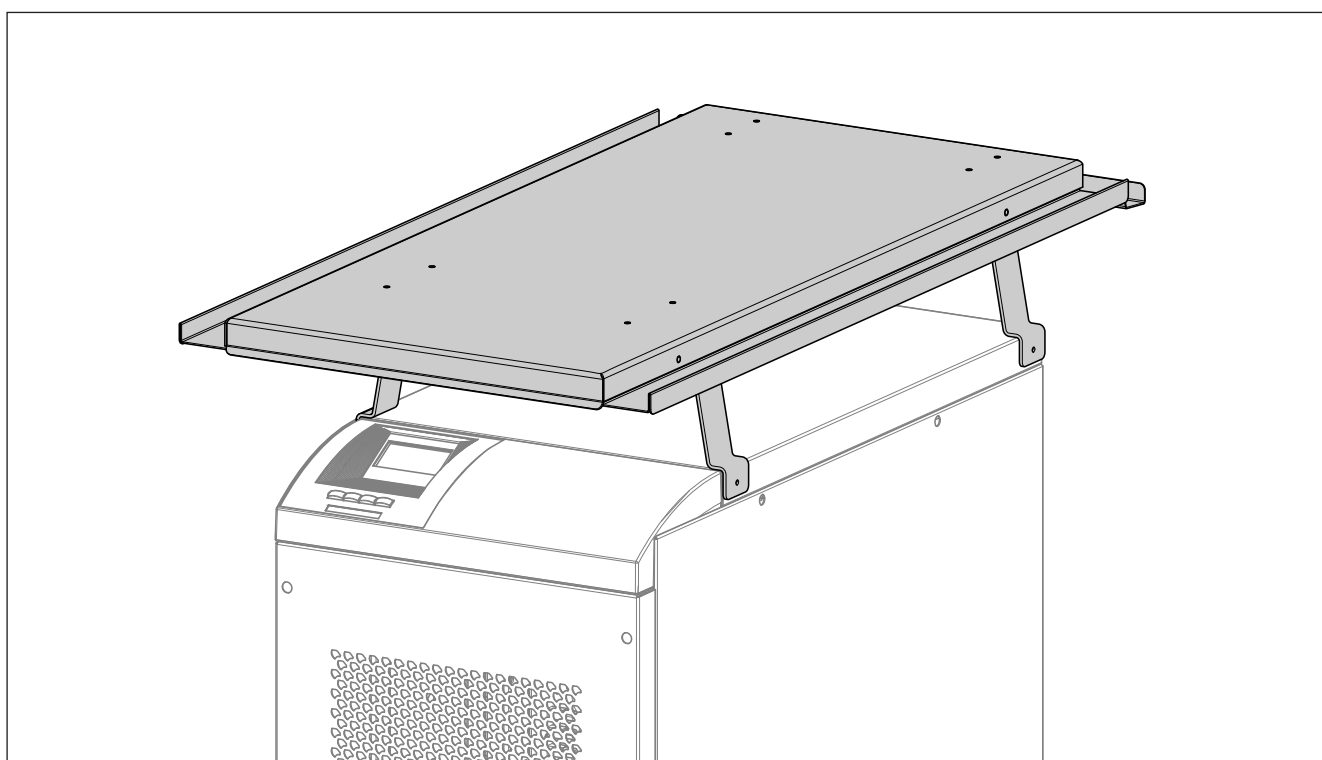
11.13 Kit for Front Cover



11.14 Kit for Front and Lateral Cover



11.15 Kit for IP21



12. TROUBLESHOOTING

The alarm messages displayed enable immediate diagnosis.

Alarms are divided into two categories:

- Alarms relating to external UPS circuits: input mains, auxiliary mains, output mains, temperature and environment.
- Alarms relating to internal UPS circuits: in this case corrective action will be carried out by the After Sales Department.

The USB report makes it possible to have full information on what occurred. Refer to 'Menu' chapter.

For other alarms that may appear please contact the Service Dept.

12.1 System alarms



A000	IMMINENT STOP	An imminent stop is about to happen. In few minutes the UPS will be shut down. This can be caused by a critical alarm or a user request.
A001	OVERLOAD ALARM	The load is exceeding the UPS power specification. The machine will turn off. Reduce the load immediately.
A003	TRANSFER LOCKED	The UPS is unable to transfer the load between bypass and inverter.
A004	TRANSFER IMPOSSIBLE	Bypass is not available.
A005	INSUFFICIENT RESOURCES	At least one SubUnit is not available, which means it is not operational.
A006	REDUNDANCY LOST	The redundant Unit is not available. Check individual unit alarms to locate which is excluded from the System.
A007	OUTPUT SHORT CIRCUIT DETECTION	A short circuit is detected on the output. Please contact the Service Dept.
A008	ECO MODE DISABLED BY UPS	Eco mode is disabled due to bypass failure.
A009	ENERGY SAVER DISABLED BY UPS	An event has occurred forcing the UPS to stop the energy saver function.
A012	MAINTENANCE ALARM	UPS needs routine maintenance (internal counters are reached). Please contact the Service Dept.
A013	REMOTE SERVICE ALARM	UPS needs immediate maintenance. Please contact the Service Dept.
A014	REMOTE SERVICE PREVENTIVE ALARM	A non-critical alarm is present. Please contact the Service Dept.
A015	GENERAL ALARM	An alarm is present.
A016	BATTERY DISCONNECTED	The battery is not connected to the UPS.
A017	BATTERY DISCHARGED	The battery charge level is below the minimum value.
A018	END OF BACK-UP TIME	Supply from batteries is close to finishing.
A019	OPERATING ON BATTERY	The UPS is running on battery. Load is supplied by batteries.
A020	BATTERY TEMPERATURE ALARM	Battery temperature is greater than the threshold. If temperature is measured using ADC+SL, verify NTC is still connected, otherwise, check the internal UPS temperature.
A021	BATTERY ROOM ALARM	The battery cabinet temperature is too high.
A022	BATTERY TEST FAILED	The battery has failed the last battery test.
A026	INSULATION FAULT	Verify input from ADC+SL.
A027	BATTERY ALARM	A battery alarm is present. Maximum recharging time at two levels, or slow discharging time protection has occurred.
A032	RECTIFIER CRITICAL ALARM	There is a problem with the rectifier. Please contact the Service Dept.
A033	RECTIFIER PREVENTIVE ALARM	Preventive maintenance counters are reached. Please contact the Service Dept.
A035	RECTIFIER INPUT SUPPLY NOT OK	The input mains supply is out of tolerance. Verify that the input voltage and frequency are within the UPS ratings.

A037	CHARGER CRITICAL ALARM	There is a problem with the battery charger. Please contact the Service Dept.
A038	CHARGER PREVENTIVE ALARM	Battery charger was blocked by a critical alarm, or Battery Voltage is too low after 16 hours of charging.
A040	INVERTER CRITICAL ALARM	There is a problem with the inverter. Please contact the Service Dept.
A041	INVERTER PREVENTIVE ALARM	There is a non-critical problem with the inverter. Check the fans are working properly. Please contact the Service Dept.
A043	INVERTER IMMINENT STOP	Imminent redundancy was lost due to overload, unit imminent stop, etc.
A046	PARALLEL BOARD CRITICAL ALARM	There is a problem with the Parallel Board. Check the PowerLink connections, otherwise, please contact the Service Dept.
A047	PARALLEL BOARD PREVENTIVE ALARM	There is a non-critical problem with the Parallel Board. Check the Power Link connections, otherwise, please contact the Service Dept.
A048	BYPASS CRITICAL ALARM	There is a problem with the bypass. Please contact the Service Dept.
A049	BYPASS PREVENTIVE ALARM	There is a non-critical problem with the bypass. Please contact the Service Dept.
A050	BYPASS INPUT SUPPLY NOT OK	The auxiliary supply is out of tolerance. Verify that the input voltage and frequency are within the UPS ratings.
A051	PHASE ROTATION FAULT	The auxiliary mains is not connected properly. Please check phase connection order is correct.
A052	BYPASS BACK-FEED DETECTION	There is a backfeed problem with the bypass. Please contact the Service Dept.
A054	FAN FAILURE	Fan Failure can generate overheating. Please contact the Service Dept.
A056	MAINTENANCE BYPASS ALARM	Output and Maintenance ByPass switches are closed at the same time.
A057	INTERNAL BACKFEED DETECTION	There is a backfeed problem with the rectifier. Please contact the Service Dept.
A059	UPS POWER OFF	The UPO input has been activated.
A060	WRONG CONFIGURATION	UPS is not configured properly. Please check the configurations or contact the Service Dept.
A061	INTERNAL / COMMUNICATION FAILURE	The internal communication between Boost and Inverter is lost. Please contact the Service Dept.
A062	OPTION BOARD ALARM	There is a communication problem with the option board. Please contact the Service Dept.
A063	SPARE PARTS NOT COMPATIBLE	Spare parts are not registered on the UPS or are not compatible.

12.2 System status

S002	LOAD SUPPLIED BY AUTOMATIC BYPASS	Load on bypass, supplied by auxiliary mains. Load not protected.
S018	EXTERNAL MAINTENANCE BYPASS CLOSED	External maintenance bypass input.
S023	GEN SET ON	Genset input.
S064	CARD IN SLOT 1 PRESENT	
S065	CARD IN SLOT 2 PRESENT	

13. PREVENTIVE MAINTENANCE

	NOTE: before carrying out any operations on the unit read the 'Safety standards' chapter carefully.
	NOTE: any work carried out on the equipment must be performed by qualified technicians authorised by SOCOMEC.

Routine maintenance carried out annually is recommended in order to provide optimum operating efficiency and avoid equipment downtime.

Maintenance consists of thorough functionality checks on:

- Electronic and mechanical parts;
- Dust removal;
- Battery inspection;
- Software updating;
- Environmental checks.






13.1 Batteries

The condition of the battery is fundamental to UPS operation.

During the operating lifetime of the battery, the UPS stores statistics on the conditions of use of the battery for analysis.

Expected battery lifetime is very much dependent on operating conditions:

- Number of charging and discharging cycles;
- Load rate;
- Temperature.

	NOTE: batteries must only be replaced with batteries recommended or sold by the manufacturer. Batteries must only be replaced by qualified technicians.
	NOTE: used batteries must be placed in appropriate containers to avoid acid leakage. They should only be entrusted to a specialist waste disposal company.
	CAUTION: Do not dispose of batteries in a fire. The batteries may explode. Do not open or mutilate batteries. Released electrolyte is harmful to the skin and eyes. It may be toxic. A battery can present a risk of electric shock and burns by high short-circuit current. Failed batteries can reach temperatures that exceed the burn thresholds for touchable surfaces.
	NOTE: servicing of batteries should be performed or supervised by personnel knowledgeable about batteries and required precautions.
	NOTE: when replacing batteries, use the same model and number of batteries/battery packs. Replacing with incorrect types could result in an explosion.

13.2 Fans & capacitors

The lifespan of consumable parts such as fans and capacitors (AC and DC) depends on whether or not the use and environmental conditions (premises, usage or load type) are abnormal or harsh for the equipment.

It is advisable to replace consumables as follows⁽¹⁾:

Consumable part	Years
Fan	5
DC capacitor	10
AC capacitor	10

1. Based on operation of the unit according to the manufacturer's specification.

14. SAFEGUARDING THE ENVIRONMENT

Do not dispose of electrical appliances with normal waste, use separate collection facilities.

Follow local council waste regulations for proper disposal arrangements to reduce the environmental impact of waste electrical and electronic equipment or contact your local government for information regarding the collection arrangements available.

If electrical appliances are disposed of in landfills or dumps, hazardous substances can leak into the groundwater and get into the food chain, damaging health and wellbeing. Depleted batteries are considered as toxic waste. When battery replacement becomes necessary, only give rundown batteries to certified and licensed waste disposal companies. In accordance with local legislation, it is prohibited to dispose of batteries together with other industrial waste or household refuse.



The crossed-out trash bin symbol is placed on this product to encourage users to recycle components and units whenever possible. Please be environmentally responsible and recycle this product through your recycling facility at the end of its lifetime.





For any questions regarding the disposal of the product, contact local distributors or retailers.



In case of product with incorporated battery, please use the proper recycling.

15. TECHNICAL SPECIFICATIONS

	NOTE: before carrying out any operations on the unit read the 'Safety standards' chapter carefully.
	NOTE: some models may not be available in your country - please check with your local sales office.

Models		10	15	20
Input/Output phases		3/1 and 3/3	3/1 and 3/3	3/1 and 3/3
Electrical specification - Input mains				
Input mains voltage	V	3P+N 400 V [- 15% / + 20 %] (- 40% @ 70% of nominal load)		
Input mains frequency	Hz	40 - 70		
Input mains power factor ($V_{in} = 400$ V, P_n , 50 Hz)		0.99		
Total input current harmonic distortion (THDi)		< 3%		
Electrical specification - Auxiliary mains				
Auxiliary mains voltage	V	3/1 1P+N 230V (selectable: 208/220/230/240) $\pm 15\%$ ($\pm 20\%$ with GENSET - selectable) 3/3 3P+N 400V (selectable: 360/380/400/415) $\pm 15\%$ ($\pm 20\%$ with GENSET - selectable)		
Auxiliary mains frequency	Hz	50/60 Hz ± 2 Hz (selectable from ± 1 Hz to ± 3 Hz) 50/60 Hz ± 3 Hz (selectable from ± 1 Hz to ± 5 Hz) with GENSET		
Electrical specification - Battery				
Battery voltage range	V	From 248 ⁽¹⁾ up to 380 ⁽²⁾		
Electrical specification - Output				
Output voltage (three-phase + neutral)	V	3/1 230 single phase (selectable: 208 ⁽³⁾ /220/230/240) $\pm 1\%$ 3/3 400 three-phase (selectable: 360 ⁽³⁾ /380/400/415) $\pm 1\%$		
Frequency	Hz	50-60 ± 2 Hz (from ± 1 Hz to ± 5 Hz with GENSET)		
Nominal apparent power (S_n) (0 °C to 35 °C)	kVA	10	15	20
Nominal active power (P_n) (0 °C to 35 °C)	kW	10	15	20
Overload (@ 25 °C; $V_{in} \geq 372$ Vrms ; $V_{bat} \geq 290$ V) ⁽⁴⁾	10 minutes	kW	12.5	18.75
	1 minute	kW	15	22.5
Crest factor at 25 °C		≥ 2.7		
Total output voltage harmonic distortion (THDv)		≤ 1 with linear load		
Environment				
Operating temperature	°C	0-35 (15-25 recommended for longer battery life)		
Storage temperature	°C	-5; + 50		
Relative humidity		0-95 % condensation free		
Altitude (max)	m	1000 without de-rating		
Acoustic noise (ISO 3746) (@: 70% P_n , V_n , resistive linear load, 25°C)	dB(A)	≤ 46	≤ 47.5	≤ 47.5
Required cooling capacity	m ³ /h	408	816	816
Dissipated power ($V_{in} = 400$ V, P_n , 50 Hz)	W	604	841	1164
	BTU/h	2060	2869	3971

Models				10	15	20
Input/Output phases				3/1 and 3/3		3/1 and 3/3
Dimensions and Weight - single cabinet						
Models	E	Dimensions	Width	mm	370	
			Depth	mm	770	
			Height	mm	808	
		Weight	kg	58 ÷ 68		
	M	Dimensions	Width	mm	370	
			Depth	mm	770	
			Height	mm	1375	
		Weight	kg	91 ÷ 299		
Standards						
Safety				EN/IEC 62040-1, AS 62040-1		
Type and performance				EN/IEC 62040-3, AS 62040-3		
EMC				EN/IEC 62040-2, AS 62040-2		
Product marks				CE - RCM		
Protection level				IP20 – IP21 (optional)		

1. With batteries fully discharged. Call SOCOMEC support service for details.
2. With batteries fully charged. Call SOCOMEC service for details.
3. $S_{out} = 90\% S_n$.
4. Initial condition 80% S_n .

Socomec: our innovations supporting your energy performance

1 independent manufacturer

3,900 employees
worldwide

10 % of sales revenue
dedicated to R&D

400 experts
dedicated to service provision

Your power management expert



POWER
SWITCHING



POWER
MONITORING



POWER
CONVERSION



ENERGY
STORAGE



EXPERT
SERVICES

The specialist for critical applications

- Control, command of LV facilities
- Safety of persons and assets
- Measurement of electrical parameters
- Energy management
- Energy quality
- Energy availability
- Energy storage
- Prevention and repairs
- Measurement and analysis
- Optimisation
- Consultancy, commissioning and training

A worldwide presence

12 production sites

- France (x3)
- Italy (x2)
- Tunisia
- India
- China (x2)
- USA (x3)

28 subsidiaries and commercial locations

- Algeria • Australia • Belgium • China • Canada
- Dubai (United Arab Emirates) • France • Germany
- India • Indonesia • Italy • Ivory Coast • Netherlands
- Poland • Portugal • Romania • Serbia • Singapore
- Slovenia • South Africa • Spain • Switzerland
- Thailand • Tunisia • Turkey • UK • USA

80 countries

where our brand is distributed



Sales offices



552392A - MASTERYS BC+ 10-20 APAC - EN 02.2023

HEAD OFFICE

SOCOMECC GROUP

SAS SOCOMECC capital 10 607 040 €
R.C.S. Strasbourg B 548 500 149
B.P. 60010 - 1, rue de Westhouse
F-67235 Benfeld Cedex
Tel. +33 3 88 57 41 41 - Fax +33 3 88 57 78 78
info.scp.isd@socomecc.com

YOUR DISTRIBUTOR / PARTNER

www.socomecc.com



100 years
OF SHARED ENERGY

socomecc
Innovative Power Solutions